

Subject to change without notice

VALVE AUTOMATION SYSTEMS

EL-O-MATIC®
WWW.EL-O-MATIC.COM

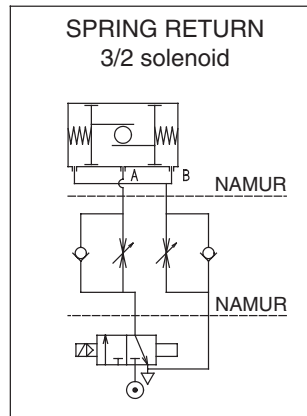
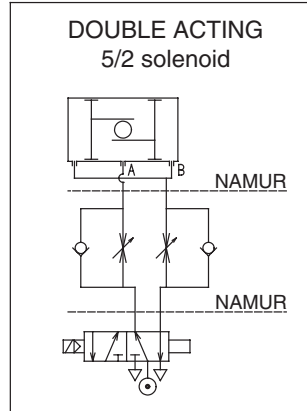
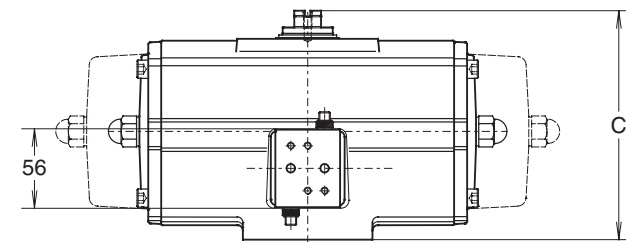
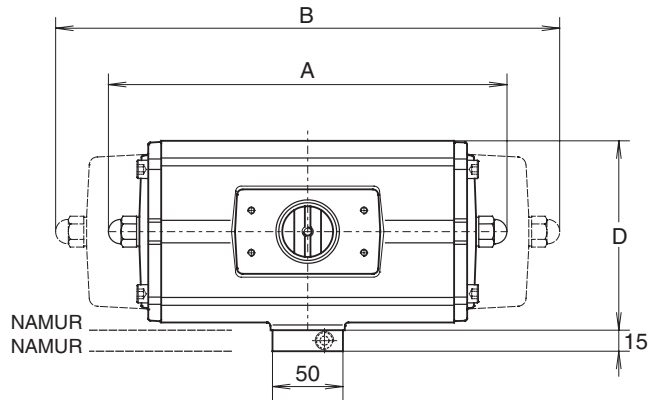
All rights reserved

Nr.:

3.110

Date:

May '04



Description:

This plate is specially used where ordinary flow restrictors will cause a malfunction of the indirect operating solenoid.

The speed control plate provides a speed regulating function for both double and spring return actuators with a NAMUR air entry manifold in combination with a NAMUR (in)direct operating solenoid.

The flow restrictors A and B are independently adjustable for both strokes, to slow the speed down turn the screw CCW (A for opening, B for closing in code A or B assembly mode).

On spring return actuators, only the spring return stroke time can be regulated.

Operation:

Every port has a combination of a non-return valve and a speed regulator. Only exhausting air has an effect on the speed of the actuator.

Identification:

Factory option : "VP" is added to the basic actuator e.g. ED200-VP

Kit option : Kit VP

Dim. in mm.	Actuator type										
	E25	E40	E65	E100	E200	E350	E600	E950	E1600	P2500	P4000
A PD/ED	159	180	199	221	283	305	387	424	516	378	502
B PE/ES	172	204	249	267	360	387	477	517	637	570	834
C	100	113	125	138	163	201	250	289	327	386	410
D	83	96	107	117	137	182	217	242	275	358	390

EL-O-MATIC ACTUATOR WITH SPEED CONTROL PLATE

VP