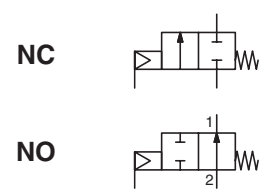




# VALVES

pressure operated  
Food contact version  
stainless steel body, CLAMP or butt welding connection  
DN 10 to 65



2/2  
Series  
S290

## FEATURES

- Valve in conformity with Regulation (EC) 1935/2004, the material of the wetted parts are listed in the chart of the Annex I of Regulation (EC) 1935/2004
- All the material of the wetted parts are conform with FDA CFR21
- Valve with clamp type connection to ISO 2852 for quick disconnection, a system commonly used in the food processing industry or with butt welding connection to ISO 6761 for stainless steel pipe to ISO 1127
- CLAMP valve body pickled in nitric/fluoric acid bath (NET-INOX passivation treatment)
- High flow due to angled seat design
- Anti-waterhammer design (fluid entry under the disc)
- Vacuum operation up to  $10^{-2}$  mbar
- Wide range of piston-type operators (32 - 50- 63 - 90 - 125 mm dia.) rotatable through 360°, for maximum performance at different minimum pilot pressures
- High performance, maintenance-free stuffing box
- The valves satisfy Pressure Equipment Directive 2014/68/EU, category 1 (DN > 25) or article 4.3 (DN ≤ 25)
- The valves in conformity with IEC 61508 Standard (2010 route 2<sub>H</sub> version) certified with integrity levels: SIL 2 for HFT = 0
- Valve in conformity with the provisions of the directive RoHS 2 (EU 2001/65)



## GENERAL

Differential pressure	See «SPECIFICATIONS» [1 bar = 100 kPa]
Maximum allowable pressure	16 bar
Ambient temperature range	-10°C to +60°C
Maximum viscosity	600 cSt (mm <sup>2</sup> /s)
Pilot fluid	Filtered air or water <sup>(1)</sup>
Max. pilot pressure	10 bar
Min. pilot pressure	See below and following page
Pilot fluid temperature	-10°C to +60°C
Response time	See page 7 ( <a href="http://www.asco.com">www.asco.com</a> )

fluids (*)	temperature range	disc seal (*)
DN ≤ 50 : air et gaz groupes 1 & 2 DN 65: air and gas group 2 all DN: water, oil, liquids groups 1 & 2 and steam	- 10°C to + 184°C	PTFE

## MATERIALS IN CONTACT WITH FLUID

(\*) Ensure that the compatibility of the fluids in contact with the materials is verified

<b>Valve body</b>	CLAMP connection Butt welding connection	AISI 316L (NET-INOX treatment) AISI 316L
<b>Stuffing box housing</b>		AISI 316L (+ NET-INOX treatment on CLAMP)
<b>Stem</b>		Stainless steel
<b>Disc</b>		Stainless steel
<b>Stuffing box packing</b>		PTFE chevrons
<b>Wiper seal</b>		PTFE
<b>Disc seal</b>		PTFE
<b>Valve body seal</b>		PTFE

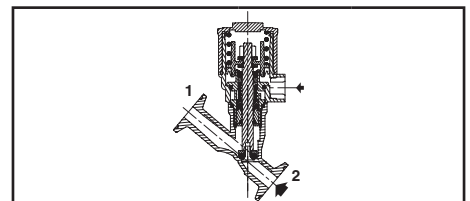
## OTHER MATERIALS

<b>Operator</b>	Glass fibre filled PA
<b>Optical position indicator</b>	PA 12, supplied standard on valves with 63, 90 and 125 mm operators

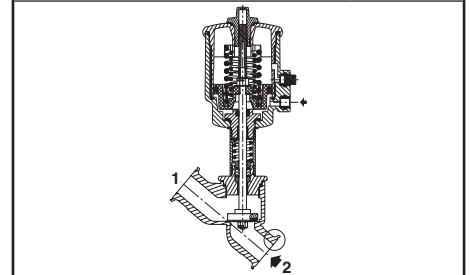
<sup>(1)</sup> For dia. 32, 50, 63, 90 and 125 mm operators: At service fluid temperatures inside the valve body above 100°C, it is prohibited to pilot the valve with water.

## SPECIFICATIONS

DN	O.D. of stub (clamp) (mm)	O.D. of stub (butt) (mm)	flow coefficient Kv		pilot pressure (bar)		operating pressure differential (bar)			operator diameter (mm)	catalogue number		
							min.	max.			clamp connection	butt welding connection	
								air, inert gas, aggressive fluids(*)	water, oil, liquids, aggressive liquids(*)				steam (*) (≤184°C)
<b>NC - Normally closed, entry under the disc <sup>(1)</sup></b>													
10	34	17,2	2,8	47	4	10	0	16	16	10	32	S290A800FB	S290A802FB
			4,1	68	4	10	0	12	12	10	32	S290A804FB	S290A806FB
15	34	21,3	4,9	82	4	10	0	16	16	10	50	S290A408FB	S290A417FB
					2,5	10	0	16	16	10	63	S290B137FB	S290B205FB
			6,5	108	4	10	0	6	6	6	32	S290A808FB	S290A810FB
20	50,5	26,9	9,4	157	4	10	0	10	10	10	50	S290A409FB	S290A418FB
								16	16	10	63	S290B140FB	S290B208FB

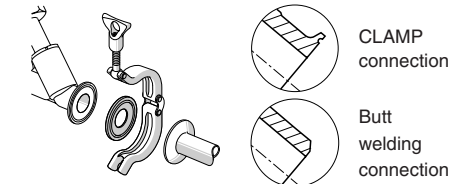


NC function, entry under the disc, 32 and 50 mm operators



NC function, entry under the disc, 63, 90 and 125 mm operators

CLAMP connection (not supplied)



## SPECIFICATIONS

DN	O.D. of stub (clamp) (mm)	O.D. of stub (butt) (mm)	flow coefficient Kv (m <sup>3</sup> /h) (l/min)		pilot pressure (bar) min. max.		operating pressure differential (bar)			operator diameter (mm)	catalogue number		
							min.	max.			clamp connection	butt welding connection	
								air, inert gas, aggressive fluids(*)	water, oil, liquids, aggressive liquids(*)				steam (*) (≤184°C)
<b>NC - Normally closed, entry under the disc <sup>(1)</sup></b>													
25	50,5	33,7	12,8	213	4	10	0	6	6	6	50	S290A410FB	S290A419FB
			16,5	275	4	10	0	10	10	10	63	S290B145FB	S290B211FB
32	64	42,4	27	450	4	10	0	6	6	6	63	S290A151FB	S290A215FB
			29	483	4	10	0	12	12	10	90	-	S290A216FB
			16	16	16	10	125	-	S290A670FB				
40	64	48,3	45	750	4	10	0	4	4	4	63	S290A155FB	S290A217FB
			48	800	4	10	0	8	8	8	90	S290A156FB	S290A218FB
			16	16	16	10	125	S290A521FB	S290A573FB				
50	77,5	60,3	59	983	4	10	0	2,5	2,5	2,5	63	S290A687FB	S290A719FB
			66	1100	4	10	0	6	6	6	90	S290A688FB	S290A720FB
			10	10	10	10	125	S290A689FB	S290A721FB				
65	91	76,1	94	1567	4	10	0	2	2	2	90	S290A691FB	S290A722FB
			111	1850	4	10	0	6	6	6	125	S290A690FB	-
<b>NO - Normally open, entry under the disc</b>													
10	34	17,2	2,8	47	IX (*)	10	0	16	16	10	32	S290A812FB	S290A814FB
15	34	21,3	4,1	68	IX (*)	10	0	16	16	10	32	S290A816FB	S290A818FB
			4,9	82	I (*)	10	0	16	16	10	50	S290A411FB	S290A420FB
20	50,5	26,9	6,5	108	IX (*)	10	0	16	16	10	32	S290A820FB	S290A822FB
			9,4	157	I (*)	10	0	16	16	10	50	S290A412FB	S290A421FB
			16	16	16	10	63	S290B162FB	S290B222FB				
25	50,5	33,7	16,5	275	II (*)	10	0	16	16	10	63	S290B163FB	S290B223FB
32	64	42,4	27	450	II (*)	10	0	16	16	10	63	S290A164FB	S290A224FB
40	64	48,3	45	750	II (*)	10	0	11	11	10	63	S290A165FB	S290A225FB
50	77,5	60,3	59	983	III (*)	10	0	13	13	10	90	S290A694FB	S290A725FB
65	91	76,1	94	1567	III (*)	10	0	7	7	7	90	S290A695FB	S290A726FB
			111	1850	IV (*)	10	0	16	16	10	125	S290A696FB	S290A727FB
<b>NC - Normally closed, entry above the disc (version recommended for rapid-cycling steam applications)</b>													
10	34	17,2	2,8	47	X (*)	10	0	10	-	10	32	S290A824FB	S290A826FB
15	34	21,3	4,1	68	X (*)	10	0	10	-	10	32	S290A828FB	S290A830FB
			4,9	82	V (*)	10	0	10	-	10	50	S290A414FB	S290A423FB
			10	10	10	63	S290B167FB	S290B227FB					
20	50,5	26,9	6,5	108	X (*)	10	0	10	-	10	32	S290A832FB	S290A834FB
			9,4	157	V (*)	10	0	10	-	10	50	S290A415FB	S290A424FB
10	10	10	63	S290B168FB	S290B228FB								
25	50,5	33,7	12,8	213	V (*)	10	0	10	-	10	50	S290A416FB	S290A425FB
16,5	275	VI (*)	10	0	10	-	10	63	S290B169FB	S290B229FB			
32	64	42,4	27	450	VI (*)	10	0	10	-	10	63	S290A170FB	S290A230FB
40	64	48,3	45	750	VI (*)	10	0	10	-	10	63	S290A171FB	S290A231FB
			10	10	10	90	-	S290A259FB					
50	77,5	60,3	59	983	VI (*)	10	0	9	-	9	63	S290A697FB	S290A728FB
			10	10	10	90	S290A698FB	S290A729FB					
65	91	76,1	94	1567	VII (*)	10	0	10	-	10	90	S290A699FB	S290A730FB
			111	1850	VIII (*)	10	0	10	-	10	125	S290A700FB	S290A731FB

 (\*) Minimum pilot pressure varies with differential pressure, see page: 7 ([www.asco.com](http://www.asco.com))

<sup>(1)</sup> Calculation of the minimum pilot pressure at a ΔP of max. 10 bar with allowable backpressure (backpressure not recommended with liquids as waterhammer may occur).

 - 32 and 50 mm operators, 4 bar minimum pilot pressure version: add 2 bar to the minimum pilot pressure of chart V or X [see page: 7 ([www.asco.com](http://www.asco.com))]

 - 63, 90 and 125 mm operators, 4 bar minimum pilot pressure version: add 1,5 bar to the minimum pilot pressure of chart VI, VII or VIII [see page: 7 ([www.asco.com](http://www.asco.com))]

### OPTIONS AND ACCESSORIES [see pages: 37 ([www.asco.com](http://www.asco.com)) / 43 ([www.asco.com](http://www.asco.com))]

- Signaling box or compact signaling unit
- Stroke limiter for opening
- Manual safety device
- Optical position indicator on 32-50 mm operators, NC function
- Adapter plate for NAMUR pad mounting pilot (63-90-125 mm operators only)
- NET-INOX passivation treatment on valve body with butt welding connection
- ATEX 2014/34/EU versions for potentially explosive atmospheres ([www.asco.com](http://www.asco.com))

### INSTALLATION

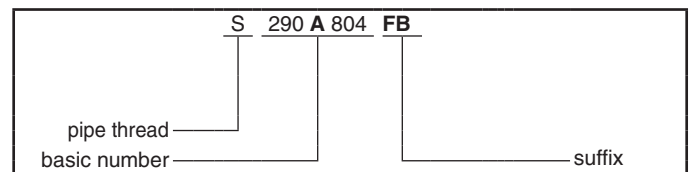
- The valves can be mounted in any position without affecting operation
- On clamp connection version: The connection stubs comply with ISO 2852.  
The strength of the quick-disconnect connection clamp must be compatible with the maximum pressure applied to the valve
- On butt welding version: Compatible with ASTM 1, 2 and 3 oils  
Butt welding connections comply with ISO 6761 and are compatible with pipe to ISO 1127
- Check temperature range of valve body and solenoid pilot valves for suitability. For probability of failure, contact us
- Installation/maintenance instructions are included with each valve

### SPARE PARTS KITS

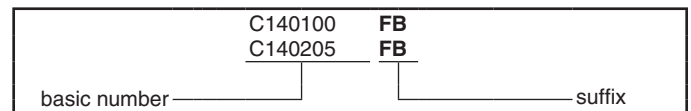
DN	spare parts kit no.	
	Ø 32 mm	Ø 50-63-90-125 mm
10	<b>C140100FB</b>	-
15	<b>C140101FB</b>	<b>C131204FB</b>
20	<b>C140102FB</b>	<b>C131205FB</b>
25	-	<b>C131206FB</b>
32	-	<b>C131207FB</b>
40	-	<b>C131208FB</b>
50	-	<b>C131209FB</b>
65	-	<b>C131622FB</b>

- Not available

### ORDERING EXAMPLES:



### ORDERING EXAMPLES KITS:

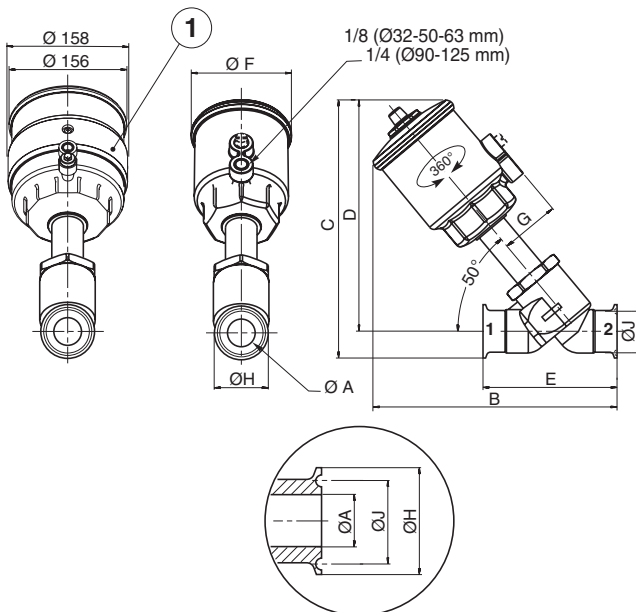


### DIMENSIONS (mm), WEIGHT



#### TYPE 01-02-03-04-05

clamp connection  
32, 50, 63, 90 and 125 mm operators  
Fluid entry: under the disc at 2  
above the disc at 1



① Operator dia. 125 mm, NO function

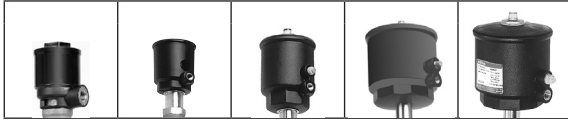
type	operator diameter	DN	ØA	B	C	D	E	ØF	G	ØH	ØJ	weight <sup>(1)</sup>
01	32	10	10	102,5	104,7	87,7	80	43,5	27	34	27,5	0,4
		15	16	110,7	105,8	88,8	101,6	43,5	27	34	27,5	0,43
		20	20	111,6	113,6	88,4	114	43,5	27	50,5	43,5	0,59
02	50	15	15,5	153	158,5	141	102	69	43	34	27,5	0,9
		20	21,5	158	168	143	114	69	43	50,5	43,5	1
		25	26	167	170,5	145	129	69	43	50,5	43,5	1,4
03	63	15	15,5	182	186	169	102	85	50,5	34	27,5	1,2
		20	21,5	184	195	170	114	85	50,5	50,5	43,5	1,3
		25	26	191	197	172	129	85	50,5	50,5	43,5	1,7
		32	35	226	236	204	140	85	50,5	64	56,5	2,1
		40	41	235	247	215	159	85	50,5	64	56,5	2,8
04	90	50	50	257	263	224	180	85	50,5	77,5	70,5	3,7
		25	26	209	214	189	129	118	67	50,5	43,5	2,2
		32	35	245	253	221	140	118	67	64	56,5	2,7
		40	41	254	264	232	159	118	67	64	56,5	3,4
		50	50	275	280	241	180	118	67	77,5	70,5	4,2
05	125	65	65	302	302,5	257	205	118	67	91	83,5	6,2
		32	35	291	307	273	140	156	86	64	56,5	5,2
		40	41	301	316	284	159	156	86	64	56,5	5,9
		50	50	322,5	332	293	180	156	86	77,5	70,5	6,7
		65	65	349,5	353,5	308	205	156	86	91	83,5	8,8

<sup>(1)</sup> Weight of valve without pilot. Add 0,2 for dia. 125 mm operator NO.

Solenoid pilot valves, see pages: 49 ([www.asco.com](http://www.asco.com)) [32, 50 and 63 mm operators]

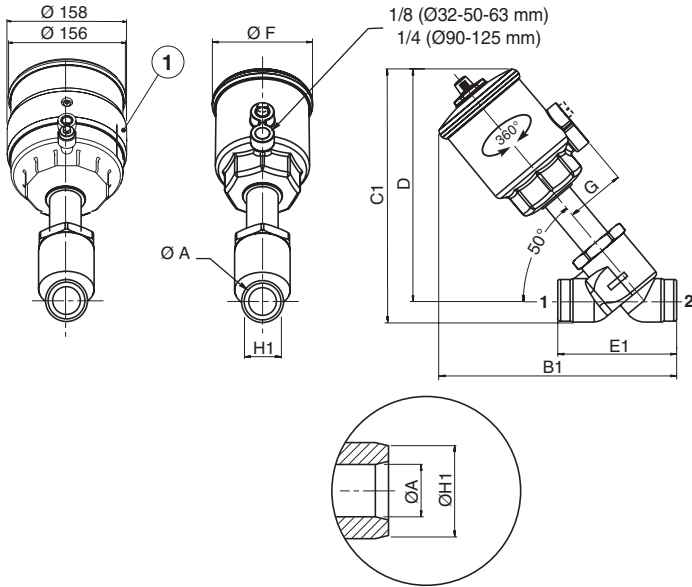
51 ([www.asco.com](http://www.asco.com)) [90 and 125 mm operators]

### DIMENSIONS (mm), WEIGHT



#### TYPE 01-02-03-04-05

butt welding connection  
32, 50, 63, 90 and 125 mm operators  
Fluid entry: under the disc at 2  
above the disc at 1



type	operator diameter	DN	ØA	B1	C1	D	E1	ØF	G	ØH1	weight <sup>(1)</sup>
01	32	10	10	102,5	96,9	87,7	80	43,5	27	17,2	0,37
		15	16	101,9	100,5	88,8	84	43,5	27	21,3	0,4
		20	20	103,6	102,4	88,4	98	43,5	27	26,9	0,45
02	50	15	15,5	144	152	141	84	69	43	21,3	0,9
		20	21,5	150	157	143	98	69	43	26,9	1
		25	26	159	162	145	113	69	43	33,7	1,3
03	63	15	15,5	172	181	169	84	85	50,5	21,3	1,2
		20	21,5	175	184	170	98	85	50,5	26,9	1,3
		25	26	183	190	172	113	85	50,5	33,7	1,6
		32	35	218	226	204	124	85	50,5	42,4	2
		40	41	227	240	215	143	85	50,5	48,3	2,7
04	90	50	50	249	254	224	164	85	50,5	60,3	3,6
		25	26	201	207	189	113	118	67	33,7	2,1
		32	35	237	243	221	124	118	67	42,4	2,6
		40	41	246	257	232	143	118	67	48,3	3,3
		50	50	267	271	241	164	118	67	60,3	4,1
05	125	65	65	294	295	257	189	118	67	76,1	6,1
		32	35	283	295	273	124	156	86	42,4	5,1
		40	41	294	308	284	143	156	86	48,3	5,8
		50	50	314,5	323	293	164	156	86	60,3	6,7
		65	65	341,5	346	308	189	156	86	76,1	8,7

① Operator dia. 125 mm, NO function

<sup>(1)</sup> Weight of valve without pilot. Add 0,2 for dia. 125 mm operator NO.  
Solenoid pilot valves, see pages: [49](#) ([www.asco.com](http://www.asco.com)) [32, 50 and 63 mm operators]  
[51](#) ([www.asco.com](http://www.asco.com)) [90 and 125 mm operators]

