



**TEL-TRU Manufacturing Co.**

# **GAS ACTUATED THERMOMETERS**



**[www.teltru.com](http://www.teltru.com)**

*Temperature + Pressure*

*Since  
1916*

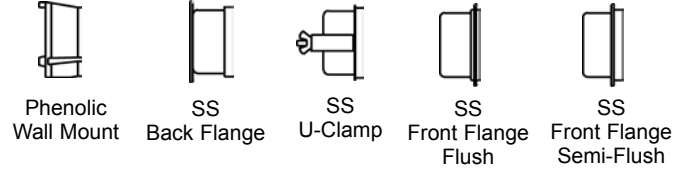
# REMOTE MOUNT GAS ACTUATED THERMOMETERS

Tel-Tru's Gas Actuated Thermometers are of a molecular sieve design utilizing inert gas and activated carbon to produce much lower internal pressures than conventional gas thermometers. As a result, they offer dependability, durability, high accuracy--low ambient error, and extreme over-range capabilities.

## ► REMOTE SPECIFICATIONS:

Case Size: 2-1/2", 3-1/2", 4", 4-1/2", 6", or 10"  
 Dial: Aluminum, white, with black markings  
 Pointer: Aluminum, black  
 Lens: Glass  
 Connection: Stainless steel (see Table 5)  
 Bulb: Stainless steel (see Table 2)  
 Range: (see Table 3)  
 Capillary: Stainless steel (see Table 4)

## ► MOUNTING STYLES:



## ► HOW TO ORDER REMOTE MOUNT GAS ACTUATED THERMOMETER:

From each table select the case size and mounting style, bulb style, temperature range, line length and options. Combine to complete your Remote Mounted Gas Actuated Thermometer description. Order accessories separately.

### EXAMPLE:

4-1/2" polypropylene wall mount, 12" bendable extension w/1/2" NPT sliding union, 20/240°F, 5' standard armor-SS spring coil, back conn., plastic lens.

**TABLE 1**    **TABLE 2**    **TABLE 3**    **TABLE 4**    **TABLE 5**    **TABLE 6**  
 RT4510T7K    1    FK    05    B    DL

TABLE 1 CASE SIZE:	2-1/2"			3-1/2"			4"			4-1/2"			6"			10"							
MODEL	RT2510-A7P	RT2510-A7L	RT3510-E7K	RT3510-E7P	RT3510-E7R	RT3515-H7K	RT3515-H7L	RT4010-G7P	RT4010-G7R	RT4015-F7K	RT4510-T7K	RT4515-I7K	RT4515-I7L	RT4515-I7P	RT4520-D7K	RT4520-D7L	RT6015-N7K	RT6015-N7L	RT6015-N7P	RT1015-K7K	RT1015-K7R	RT1015-K7P	
Polypropylene Wall Mount										X													
Stainless Steel Back Flange			X		X				X		X			X		X			X				
Stainless Steel U-Clamp	X			X				X					X					X					X
Stainless Steel Front Flange		X			X				X						X						X		
Stainless Steel Front Flange, Semi-Flush						X						X					X						

TABLE 2 BULB STYLE	Code
12" Bendable Ext. w/1/2" NPT Sliding Union	1
18" Bendable Ext. w/1/2" NPT Sliding Union	2
24" Bendable Ext. w/1/2" NPT Sliding Union	5
Plain Bulb w/10" Rigid Ext. and 1/2" NPT Union on Armor	8
Plain Bulb w/10" Rigid Ext. - No Union	3
Plain Bulb - No Extension - No Union	6
Short Bulb - 1.18" active bulb with 1/2" NPT (max. cap. length 15 ft.)	A
Short Bulb - 7/16" OD x 1-5/8" insertion, 3/4" NPT 316SS	4
Thermowell (max. temp. 750°F/400°C - max. cap. length 20 ft.)	
1/4" Plain Diam. Bulb - Lgth. Based On Temp. Range and Capillary Lgth. (6" min.)	7
1/4" Diam. x 6" Lgth. w/12" bend ext. & 1/2" NPT Sliding Union	0

TABLE 3 RANGES (Other Ranges Available, Consult Factory)					
Fahrenheit °F			Celsius °C		
Range	°Div.	Code	Range	°Div.	Code
-320/200	5	FA	-200/100	5	CA
-120/120	2	FB	-80/40	1	CB
-40/180	2	FG	-40/80	1	CG
-20/120	1	FH	-30/50	1	CH
20/160	1	FJ	-10/70	1	CJ
0/150	1	FC	-10/115	1	CD
20/240	2	FK	0/120	2	CK
50/300	2	FL	10/150	1	CL
50/400	5	FM	0/200	2	CM
50/550	5	FN	0/300	5	CN
50/750	5	FR	0/400	5	CR
400/1200	10	FT	200/650	5	CT

DUAL TEMPERATURE RANGES		
Fahrenheit °F	Celsius °C	Code
-120/120	-85/50	DB
-20/120	-30/49	DH
0/120	-18/50	DD
20/240	-5/110	DK
50/550	10/290	DN
400/1200	200/650	DT



**Tel-Tru Manufacturing Company**

408 St. Paul Street, Rochester, New York 14605 USA

Phone: 585-232-1440 • 800-232-5335 • Fax: 585-232-3857 • E-mail: info@teltru.com • Web: www.teltru.com

TABLE 4 LINE LENGTH	Code
5 ft. Standard Armor-SS Spring Coil *	05
10 ft. Standard Armor-SS Spring Coil *	10
15 ft. Standard Armor-SS Spring Coil *	15
20 ft. Standard Armor-SS Spring Coil *	20
30 ft. Standard Armor-SS Interlocking	30
40 ft. Standard Armor-SS Interlocking	40
50 ft. Standard Armor-SS Interlocking	50

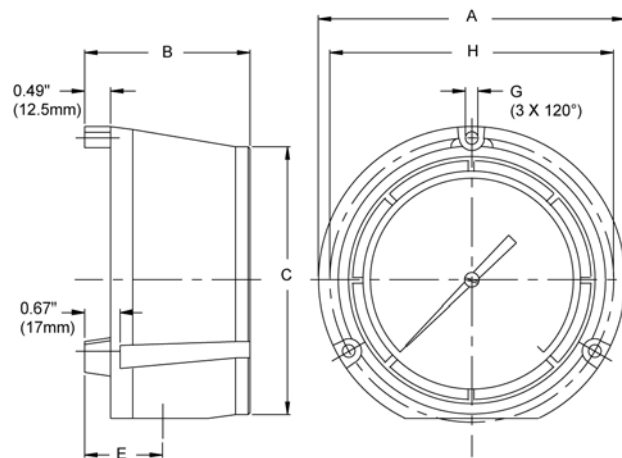
\* For SS Interlocking Armor, See TABLE 6, Option S.

CASE SIZE:	2-1/2"				3-1/2"				4"				4-1/2"				6"				10"			
MODEL	RT2510-A7P	RT2510-A7L	RT3510-E7K	RT3510-E7P	RT3510-E7R	RT3515-H7K	RT3515-H7L	RT4010-G7P	RT4010-G7R	RT4015-F7K	RT4510-T7K	RT4515-I7K	RT4515-I7L	RT4515-I7P	RT4520-D7K	RT4520-D7L	RT6015-N7K	RT6015-N7L	RT6015-N7P	RT1015-K7K	RT1015-K7R	RT1015-K7P		
<b>TABLE 5 CONNECTION</b>																							Code	
Bottom Conn.	A	X	X	X	X	X	X	X	X	X	X	X	X	X	X	X	X	X	X	X	X	X		
Back Conn.	B	X	X	X	X	X	X	X	X	X	X	X	X	X	X	X	X	X	X	X	X	X		
<b>TABLE 6 OPTIONS</b>																								
Acrylic Lens	D	X	X	X	X	X	X	X	X	X	X	X	X	X	std.	std.	X	X	X	X	X	X		
Plain Capillary-No Armor	E	X	X	X	X	X	X	X	X	X	X	X	X	X	X	X	X	X	X	X	X	X		
Shatterproof Lens	F		X	X	X	X	X	X	X	X	X	X	X	X			X	X	X	X	X	X		
Electric Contact Switch	G									X														
Red Set Hand	L	X									X	X	X	X	X	X	X	X	X	X	X	X		
Flush Mounting Ring	M										X													
SS Interlocking Armor (20 ft. and under)	S	X	X	X	X	X	X	X	X	X	X	X	X	X	X	X	X	X	X	X	X	X		

NOTE: Consult factory for other options and accessories.

➤ **POLYPROPYLENE WALL MOUNT:**

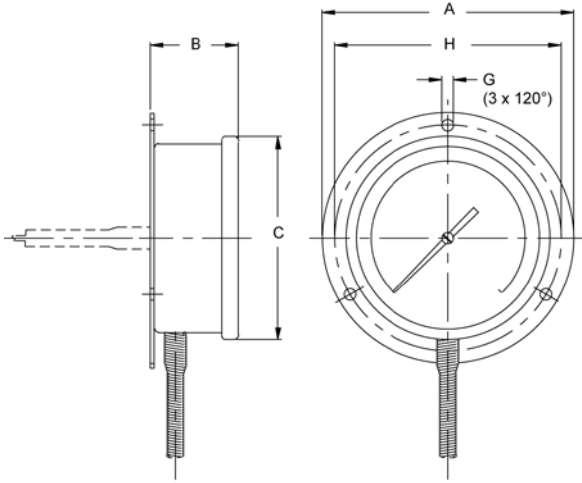
NOTE: Remote Mount drawings continue on next page.



SIZE	MODEL	A	B	C	E	G	H
4.5"	RT4510-T7K	5.83" (148.00mm)	3.15" (80.00mm)	5.08" (129.00mm)	1.48" (37.50mm)	0.24" (6.10mm)	5.39" (137.00mm)

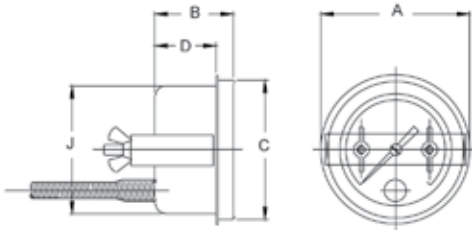
# REMOTE MOUNT GAS ACTUATED DRAWINGS

## ► STAINLESS STEEL BACK FLANGE:



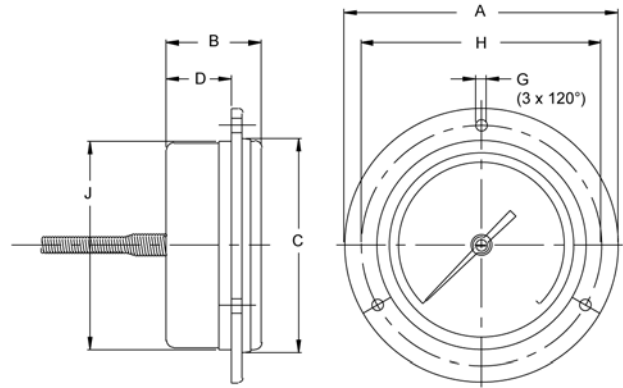
SIZE	MODEL	A	B	C	G	H
3.5"	RT3510-E7K	4.78" (121.41mm)	1.69" (43.00mm)	3.88" (98.50mm)	0.22" (5.59mm)	4.31" (109.47mm)
3.5"	RT3515-H7K	4.78" (121.41mm)	1.25" (31.75mm)	4.00" (101.60mm)	0.22" (5.59mm)	4.31" (109.47mm)
4.0"	RT4015-F7K	5.20" (132.00mm)	2.00" (51.00mm)	3.98" (101.00mm)	0.22" (5.59mm)	4.57" (116.00mm)
4.5"	RT4520-D7K	5.88" (149.35mm)	1.41" (35.81mm)	4.69" (119.13mm)	0.22" (5.59mm)	5.38" (136.65mm)
4.5"	RT4515-I7K	5.87" (149.00mm)	2.07" (52.50mm)	5.04" (128.00mm)	0.22" (5.59mm)	5.38" (136.65mm)
6.0"	RT6015-N7K	7.56" (192.00mm)	2.26" (57.50mm)	6.26" (159.00mm)	0.24" (6.00mm)	7.00" (178.00mm)
10.0"	RT1015-K7K	11.22" (285.00mm)	2.17" (55.00mm)	9.88" (251.00mm)	0.23" (5.80mm)	10.63" (270.00mm)

## ► STAINLESS STEEL U CLAMP:



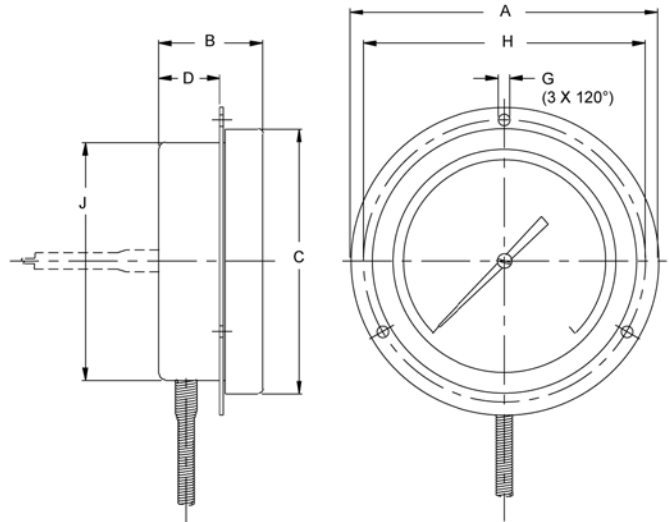
SIZE	MODEL	A	B	C	D	J
2.5"	RT2510-A7P	2.83" (72.00mm)	1.50" (38.00mm)	2.60" (66.00mm)	1.26" (32.00mm)	2.52" (64.00mm)
3.5"	RT3510-E7P	Not Applicable	1.60" (40.50mm)	3.88" (98.50mm)	1.30" (33.00mm)	3.60" (91.50mm)
4.0"	RT4010-G7P	4.33" (110.00mm)	1.81" (46.00mm)	3.98" (101.00mm)	1.42" (36.00mm)	3.98" (101.00mm)
4.5"	RT4515-I7P	5.31" (135.00mm)	1.99" (50.50mm)	5.04" (128.00mm)	1.16" (29.50mm)	4.53" (115.00mm)
6.0"	RT6015-N7P	6.46" (164.00mm)	2.13" (54.00mm)	6.25" (159.00mm)	1.45" (37.00mm)	5.83" (148.20mm)
10.0"	RT1015-K7P	10.31" (262.00mm)	2.09" (53.00mm)	9.88" (251.00mm)	1.81" (45.00mm)	9.80" (249.00mm)

## ► STAINLESS STEEL FRONT FLANGE, FLUSH:



SIZE	MODEL	A	B	C	D	G	H	J
2.5"	RT2510-A7L	3.35" (85.00mm)	1.50" (38.00mm)	2.52" (64.00mm)	1.26" (32.00mm)	0.16" (4.00mm)	2.95" (75.00mm)	2.60" (66.00mm)
3.5"	RT3510-E7R	4.78" (121.41mm)	1.60" (40.50mm)	3.88" (98.50mm)	1.22" (31.00mm)	0.22" (5.59mm)	4.31" (139.47mm)	3.60" (91.50mm)
4.0"	RT4010-G7R	5.20" (132.00mm)	1.81" (46.00mm)	3.98" (101.00mm)	1.24" (31.50mm)	0.22" (5.59mm)	4.57" (116.00mm)	3.98" (101.00mm)
4.5"	RT4520-D7L	5.88" (149.35mm)	1.22" (30.99mm)	4.69" (119.13mm)	0.75" (19.05mm)	0.22" (5.59mm)	5.38" (136.6mm)	4.59" (116.59mm)
10.0"	RT1015-K7R	11.22" (285.00mm)	2.09" (53.00mm)	9.88" (251.00mm)	1.73" (43.95mm)	0.23" (5.80mm)	10.6" (270.00mm)	9.90" (251.50mm)

## ► STAINLESS STEEL FRONT FLANGE, SEMI-FLUSH:



SIZE	MODEL	A	B	C	D	G	H	J
3.5"	RT3515-H7L	4.78" (121.41mm)	1.25" (31.75mm)	4.00" (101.60mm)	0.50" (12.70mm)	0.22" (5.59mm)	4.31" (109.47mm)	3.60" (91.44mm)
4.5"	RT4515-I7L	5.87" (149.00mm)	1.99" (50.50mm)	5.04" (128.00mm)	1.16" (29.50mm)	0.22" (5.59mm)	5.38" (136.60mm)	4.53" (115.00mm)
6.0"	RT6015-N7L	7.56" (192.00mm)	2.13" (54.00mm)	6.28" (159.00mm)	1.32" (33.50mm)	0.24" (6.00mm)	7.00" (178.00mm)	5.95" (151.20mm)

Important Note: RTXX15 models have Bayonet Rings.



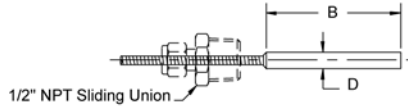
**Tel-Tru Manufacturing Company**

408 St. Paul Street, Rochester, New York 14605 USA

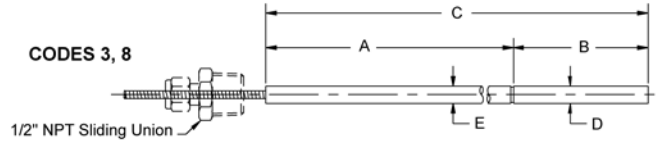
Phone: 585-232-1440 • 800-232-5335 • Fax: 585-232-3857 • E-mail: info@teltru.com • Web: www.teltru.com

**► REMOTE MOUNT BULB STYLES:**

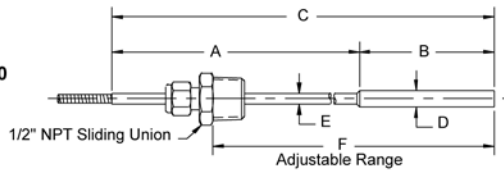
CODES 6, 7, A



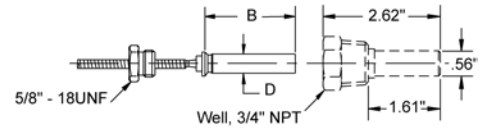
CODES 3, 8



CODES 1, 2, 5, 0



CODES 4

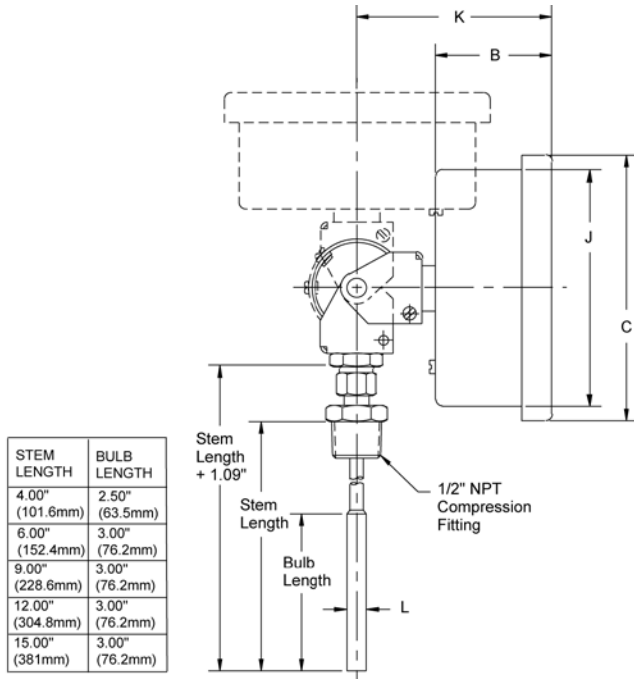


BULB STYLE	CODE	A	B	C	D	E	F
Plain Bulb, No Union Connection	7	Not Applicable	*	Not Applicable	1/4" (6.50mm)	Not Applicable	Not Applicable
Plain Bulb, No Union Connection	6	Not Applicable	3" (76.00mm)	Not Applicable	3/8" (9.50mm)	Not Applicable	Not Applicable
Rigid Extension, No Union Connection	3	10" (254.00mm)	3" (76.00mm)	13" (330.20mm)	3/8" (9.50mm)	3/8" (9.50mm)	Not Applicable
Rigid Extension, 1/2" NPT Sliding Union on Armor	8	10" (254.00mm)	3" (76.00mm)	13" (330.20mm)	3/8" (9.50mm)	3/8" (9.50mm)	Capillary Length
Bendable Extension, 12", 1/2" NPT Sliding Union	1	12" (305.00mm)	3" (76.00mm)	15" (381.00mm)	3/8" (9.50mm)	1/4" (6.50mm)	4" - 14" (102-356mm)
Bendable Extension, 12", 1/2" NPT Sliding Union	0	12" (305.00mm)	6" (152.00mm)	18" (457.00mm)	1/4" (6.50mm)	1/4" (6.50mm)	7" - 17" (178-432mm)
Bendable Extension, 18", 1/2" NPT Sliding Union	2	18" (457.00mm)	3" (76.00mm)	21" (533.00mm)	3/8" (9.50mm)	1/4" (6.50mm)	4" - 20" (102-508mm)
Bendable Extension, 24", 1/2" NPT Sliding Union	5	24" (610.00mm)	3" (76.00mm)	27" (686.00mm)	3/8" (9.50mm)	1/4" (6.50mm)	4" - 26" (102-660mm)
Short Bulb, 3/4" NPT Well	4	Not Applicable	2.07" (53.00mm)	Not Applicable	7/16" (11.10mm)	Not Applicable	Not Applicable
Short Bulb, 1/2" NPT Sliding Union	A	Not Applicable	1.18" (30.00mm)	Not Applicable	3/8" (9.50mm)	Not Applicable	Not Applicable

\* Based on Range and Capillary Length (6" minimum)

# DIRECT MOUNT GAS ACTUATED THERMOMETERS

Tel-Tru's Gas Actuated Thermometers are of a molecular sieve design utilizing inert gas and activated carbon to produce much lower internal pressures than conventional gas thermometers. As a result, they offer dependability, durability, high accuracy--low ambient error, and extreme over-range capabilities.



STEM LENGTH	BULB LENGTH
4.00" (101.6mm)	2.50" (63.5mm)
6.00" (152.4mm)	3.00" (76.2mm)
9.00" (228.6mm)	3.00" (76.2mm)
12.00" (304.8mm)	3.00" (76.2mm)
15.00" (381mm)	3.00" (76.2mm)

SIZE	MODEL	B	C	J	K	L
4.5"	DM4525-V7S	2.21" (56mm)	5.06" (129mm)	4.52" (115mm)	3.69" (94mm)	.375" (9.5mm)
6.0"	DM6025-S7S	2.00" (51mm)	6.31" (160mm)	5.90" (150mm)	3.49" (89mm)	.375" (9.5mm)

TABLE 1 CASE SIZE	
DM4525-V7S	= 4 1/2" Case
DM6025-S7S	= 6" Case

TABLE 2 RANGES (Other Ranges Available, Consult Factory)					
Fahrenheit °F			Celsius °C		
Range	°Div.	Code	Range	°Div.	Code
-320/200	5	FA	-200/100	5	CA
-120/120	2	FB	-80/40	1	CB
-40/180	2	FG	-40/80	1	CG
-20/120	1	FH	-30/50	1	CH
20/160	1	FJ	-10/70	1	CJ
0/150	1	FC	-10/115	1	CD
20/240	2	FK	0/120	2	CK
50/300	2	FL	10/150	1	CL
50/400	5	FM	0/200	2	CM
50/550	5	FN	0/300	5	CN
50/750	5	FR	0/400	5	CR
400/1200	10	*FT	200/650	5	*CT

DUAL TEMPERATURE RANGES		
Fahrenheit °F	Celsius °C	Code
-120/120	-85/50	DB
-20/120	-30/49	DH
0/120	-18/50	DD
20/240	-5/110	DK
50/550	10/290	DN
400/1200	200/650	*DT

\* Minimum stem length is 9"

## ► SPECIFICATIONS:

- Case Size: 4-1/2" or 6" stainless steel
- Dial: Aluminum, white, with black markings
- Pointer: Aluminum, black
- Lens: Glass
- Connection: Stainless steel 1/2" NPT SS compression fitting
- Bulb: Stainless steel
- Range: (see Table 2)
- Stem: (see Table 3)

**NOTE:** Thermowells are recommended for pressure, corrosive fluid or high velocity applications.

## ► HOW TO ORDER DIRECT MOUNT THERMOMETERS:

From each table select the model and case mounting style code, temperature range, stem length and options. Order accessories separately.

### EXAMPLE:

4-1/2" stainless steel case, 50/300°F, 9" stem length, plastic lens.

TABLE 1	TABLE 2	TABLE 3	TABLE 4
DM4525V7S	FL	09	D

TABLE 3 STEM AND BULB LENGTH		
Stem Length	Bulb Length	Code
4.00" (101.60mm)	2.50" (63.5mm)	04
6.00" (152.40mm)	3.00" (76.20mm)	06
9.00" (225.60mm)	3.00" (76.20mm)	09
12.00" (304.80mm)	3.00" (76.20mm)	12
15.00" (381.00mm)	3.00" (76.20mm)	15

TABLE 4 OPTIONS			
	Code	4-1/2"	6"
Acrylic Lens	D	X	X
Shatterproof Lens	F	X	
Red Max Hand w/Reset	K	X	X
Surface Bulb - Adjustable	H	X	X
Helical Air Bulb	J	X	X

**NOTE:** Consult factory for other options and accessories.

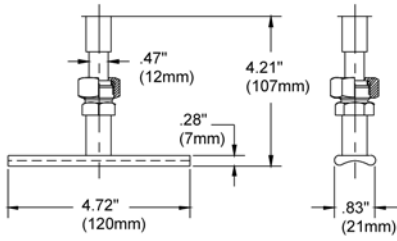


**Tel-Tru Manufacturing Company**

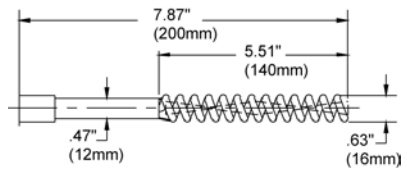
408 St. Paul Street, Rochester, New York 14605 USA

Phone: 585-232-1440 • 800-232-5335 • Fax: 585-232-3857 • E-mail: info@teltru.com • Web: www.teltru.com

➤ **SURFACE BULB - ADJUSTABLE TYPE**



➤ **HELICAL AIR BULB**





## **ADDITIONAL PRODUCTS AVAILABLE FROM TEL-TRU**

**Bimetal Thermometers**

**Industrial and Sanitary RTDs**

**Temperature Transmitters**

**Digi-Tel™ Thermometers**

**Vapor Tension Thermometers**

**Thermowells**

**Check-Set® Thermometer  
Calibrators**

**Tel-Fast Infrared Thermometers**

**Surface Thermometers**

**Pressure Transmitters**

**Pressure Gauges**

**HVAC Instruments**

