

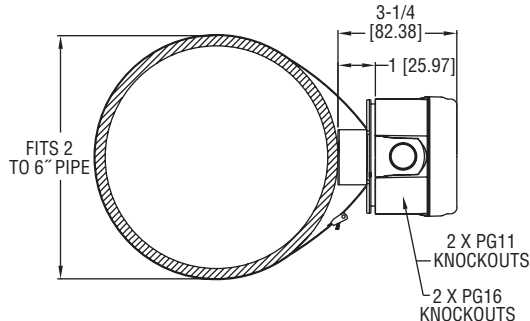
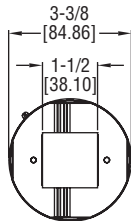


WEATHER RESISTANT SURFACE TEMPERATURE SENSORS

Strap On Design, Twist Off Cover, 2 to 6" Pipe Sizes



Scan here
to watch
product video



The **SERIES TE-SNW** Surface Temperature Sensors non-intrusively measures the process temperature in hot and cold water loops in buildings. In order to work with most common building controllers, the output of the sensor can be chosen from 6 different RTD and Thermistor curves.

FEATURES/BENEFITS

- Easy to mount external tab housing
- 1/4 turn housing cover with chain
- Multiple conduit knockouts for easy installation positioning
- Non-intrusive temperature measurement of 2 to 6" pipes

APPLICATIONS

- Heating or cooling loop line temperature monitoring
- HVAC systems

SPECIFICATIONS

Accuracy: Thermistor temperature sensor: $\pm 0.22^{\circ}\text{C}$ @ 25°C ($\pm 0.4^{\circ}\text{F}$ @ 77°F); RTD temperature sensor: DIN Class A $\pm 0.15^{\circ}\text{C}$ @ 0°C ($\pm 0.28^{\circ}\text{F}$ @ 32°F).

Temperature Limits: Operating: -32 to 240°F (-35.5 to 115.5°C).

Sensor Curves: See page reference [●](#) below.

Housing Material: Meets UL 94 V-0 polycarbonate plastic, NEMA 3R.

Weight: 7 oz (198 g).

MODEL CHART

Model	Sensor Type
TE-SNW-A	10k Ω type III thermistor
TE-SNW-B	10k Ω type II thermistor
TE-SNW-C	3k Ω thermistor
TE-SNW-D	Pt100 Ω RTD
TE-SNW-E	Pt1000 Ω RTD
TE-SNW-F	20k Ω thermistor

● Resistance vs. Temperature Table: See page 234 (Series TE-OND/RND/OSA)