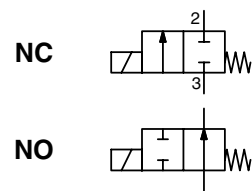




SOLENOID VALVES

lever mechanism, fluid isolation
threaded connections
1/4 - 1/2



2/2
Series
283

FEATURES

- Solenoid valves for medical analysers, biotechnology and chemical industry
- Ideal solenoid valves to control corrosive fluids
- The solenoid valves satisfy all relevant EC directives

GENERAL

Differential pressure See «SPECIFICATIONS» [1 bar = 100 kPa]
Maximum viscosity 37 cSt (mm²/s)
Response time 25 to 30 ms (opening/closing)

| fluids (*) | temperature range (TS) | seal materials (*) |
|------------------------------|--------------------------------|---------------------------|
| air, inert gases, | -10°C to + 100°C | VMQ (silicone) |
| water, oil and liquid fluids | -10°C to + 100°C (1/2: + 90°C) | EPDM (ethylene-propylene) |

MATERIALS IN CONTACT WITH FLUID

(*) Ensure that the compatibility of the fluids in contact with the materials is verified

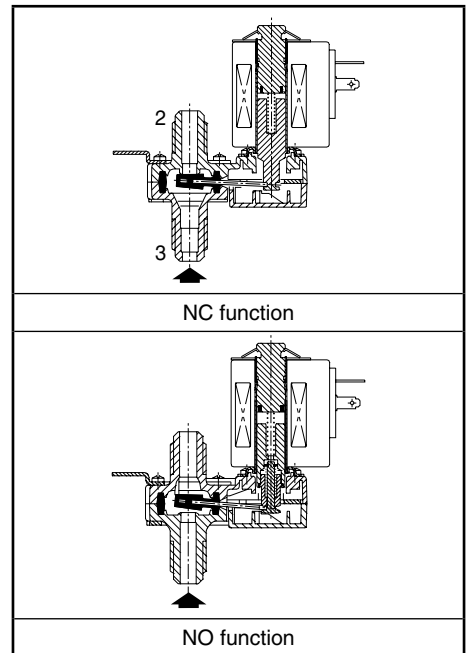
Body 1/4: PEI (polyetherimide)
1/2: PPS (polyphenylene sulphide)
Poppet seal VMQ, EPDM or FPM

ELECTRICAL CHARACTERISTICS

Coil insulation class F
Connector Spade plug (cable Ø 6-10 mm)
Connector specification ISO 4400 / EN 175301-803, form A
Electrical safety IEC 335
Electrical enclosure protection Moulded IP65 (EN 60529)
Standard voltages DC (=) : 12V - 24V
 (Other voltages and 60 Hz on request) AC (~) : 24V - 115V - 230V / 50 Hz

| prefix option | power ratings | | | | operator ambient temperature range (TS) (C°) | replacement coil | | type ⁽¹⁾ |
|---------------|---------------|-----------|------------|----|---|------------------|----------|---------------------|
| | inrush ~ | holding ~ | hot/cold = | ~ | | = | | |
| | (VA) | (VA) | (W) | | | | | |
| SC | 23 | 14 | 8 | 9 | -10 to + 60 | 43005149 | 43005144 | 01 (AMX) |
| | 44 | 24 | 13 | 13 | -10 to + 60 | 43005320 | 43005317 | 02 (FNX) |

⁽¹⁾ Refer to the dimensional drawings on the following page.



SPECIFICATIONS

| pipe size | orifice size | flow coefficient Kv | | operating pressure differential (bar) | | power coil (W) | | catalogue number | | options | | | | | | |
|---|--------------|---------------------|---------|---------------------------------------|-------------------------------|----------------|----|------------------|-------------|---------|---|---|---|--|--|--|
| | | | | min. | max. (PS) | | | | | FPM | | | | | | |
| | | | | | air, inert gases, liquids (*) | | | | | | | | | | | |
| G | (mm) | (m ³ /h) | (l/min) | | | | | | | | | | | | | |
| NC - Normally closed, VMQ seals | | | | | | | | | | | | | | | | |
| 1/4 | 3,2 | 0,32 | 5,33 | 0 | 1,5 | 1,5 | 8 | 9 | SCG283A013 | - | - | - | - | | | |
| | 5,5 | 0,55 | 9,16 | 0 | 1,5 | 1 | 8 | 9 | SCG283A014 | - | - | - | - | | | |
| NC - Normally closed, EPDM seals (optional: FPM) | | | | | | | | | | | | | | | | |
| 1/4 | 3,2 | 0,32 | 5,33 | 0 | 10 | 2,4 | 8 | 9 | SCG283A011E | V | - | - | - | | | |
| | 5,5 | 0,55 | 9,16 | 0 | 4,5 | 1 | 8 | 9 | SCG283A012E | V | - | - | - | | | |
| 1/2 | 10 | 1,6 | 26,66 | 0 | 1,6 | 0,25 | 13 | 13 | SCG283C006E | V | - | - | - | | | |
| NO - Normally open, FPM seals | | | | | | | | | | | | | | | | |
| 1/4 | 3,2 | 0,3 | 5 | 0 | 3 | 1 | 8 | 9 | SCG283A019V | - | - | - | - | | | |

01022GB-2014/R01
Availability, design and specifications are subject to change without notice. All rights reserved.

OPTIONS

- Valves can also be supplied with FPM (fluoroelastomer) poppet seal. Use the appropriate optional suffix letter for identification
- Other pipe connections are available on request
- Plug with visual indication and peak voltage suppression or with cable length of 2 m

INSTALLATION

- The solenoid valves can be mounted in any position without affecting operation. For optimum performance mount solenoid vertical and upright
- Pipe connection identifier is G = G (ISO 228/1)
- Replacement coils are available:
Type 01 (AMX): DC: 12 V, cat. no.: **43005143** / AC: 24 V, cat. no.: **43005146** ; 115 V, cat. no.: **43005147**
Type 02 (FNX): DC: 12 V, cat. no.: **43005316** / AC: 24 V, cat. no.: **43005318** ; 115 V, cat. no.: **43005319**
- Installation/maintenance instructions are included with each valve

ORDERING EXAMPLES:

| | | | | | |
|--------|-------------|--------------|---|-------|----------------|
| SC | G | 283 | A | 013 | 12V / DC |
| SC | G | 283 | A | 011 V | 24V / DC |
| SC | G | 283 | C | 006 | 230V / 50Hz |
| prefix | pipe thread | basic number | | | voltage suffix |

DIMENSIONS (mm), WEIGHT (kg)



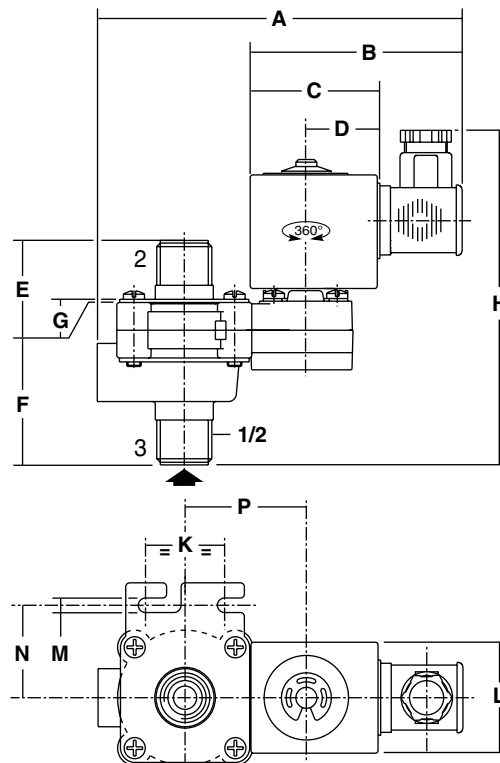
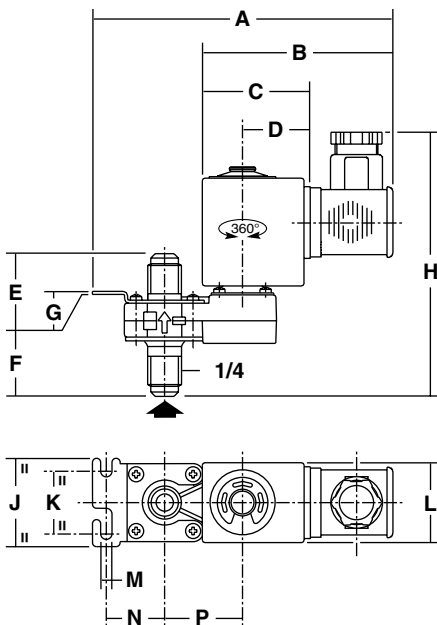
TYPE 01
Prefix "SC" Solenoid
ISO 4400

SCG283A011/012/013/014/019V



TYPE 02
Prefix "SC" Solenoid
ISO 4400

SCG283C006



Pressure inlet:

NC function: arrow on body (type 01) or orifice 3 (type 02)

NO function: arrow on body (type 01)

| type | prefix option | catalogue number | A | B | C | D | E | F | G | H | J | K | L | M | N | P | weight ⁽²⁾ |
|------|---------------|----------------------------------|-------|----|----|----|------|------|-----|-----|----|----|----|-----|----|----|-----------------------|
| 01 | SC | SCG283A011E/012E 013/014/019V | 121,5 | 78 | 43 | 27 | 16,5 | 40,5 | 1,2 | 105 | 35 | 25 | 32 | 4,5 | 23 | 31 | 0,285 |
| 02 | SC | SCG283C006E | 142,5 | 84 | 49 | 28 | 23,5 | 61,5 | 1,2 | 128 | - | 30 | 42 | 5,5 | 35 | 46 | 0,57 |

⁽²⁾ Incl. coil(s) and connector(s).