

FEATURES

- Small compact sized valves particularly designed for hot water and steam, compatible with the seal materials used
- For high temperature applications found in laundries, molding, steam atomization, sterilizers, autoclaves,...
- All products are covered by the Pressure Equipment Directive 2014/64/EU and are suitable for group 1 and 2 fluids
- The solenoid valves satisfy all relevant EU Directives and with the provisions of the Directive RoHS 2

GENERAL

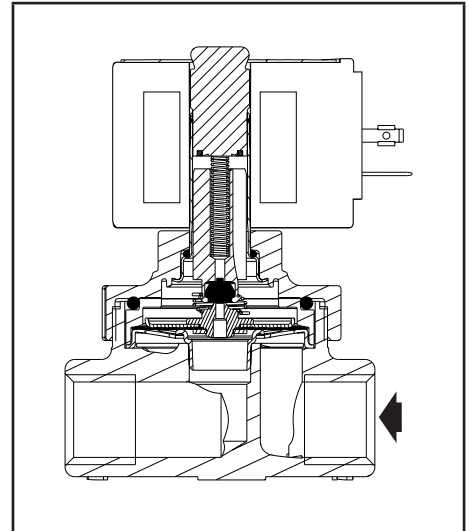
Differential pressure See «SPECIFICATIONS» [1 bar =100 kPa]
Response time 70 - 120 ms

fluids (*)	temperature range (TS)	seal materials (*)
hot water	-20°C to +98°C	PTFE
steam	-20°C to +147°C (class F / class H, DC)	
	-20°C to +173°C (class H, DC)	
	-20°C to +177°C (class H, AC)	



CONSTRUCTION

MATERIALS IN CONTACT WITH FLUID	
(*) Ensure that the compatibility of the fluids in contact with the materials is verified	
Body	Brass
Shading coil	Copper
Core tube	Stainless steel, AISI 305
Core and plugnut	Stainless steel, AISI 430F
Springs	Stainless steel, AISI 302
Diaphragm assembly	PTFE, stainless steel
Seal	PTFE
Disc	PTFE

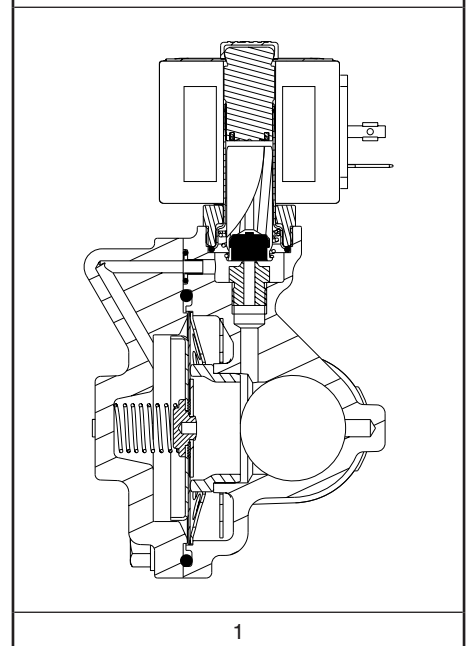


3/8 to 3/4

ELECTRICAL CHARACTERISTICS

Coil insulation class	F (AC) or H (AC/ DC)
Connector	Spade plug (cable Ø 6-10 mm)
Connector specification	ISO 4400 / EN 175301-803, form A
Electrical safety	IEC 335
Electrical enclosure protection	Moulded IP65 (EN 60529)
Standard voltages	DC (=) : 24V - 48V
(Other voltages and 60 Hz on request)	AC (~) : 24V - 48V - 115V - 230V/50 Hz

operator ambient temperature range (TS) (°C)	class	power ratings				replacement coil	
		inrush ~ (VA)	holding ~ (W)		hot/cold = (W)	~	=
0 to +52	F	50	25	10,1	-	238613-059	-
	H	-	-	-	15,1/15,6	-	238913-206
0 to +60	H	50	25	10,1	-	238813-059	-



1

OPTIONS

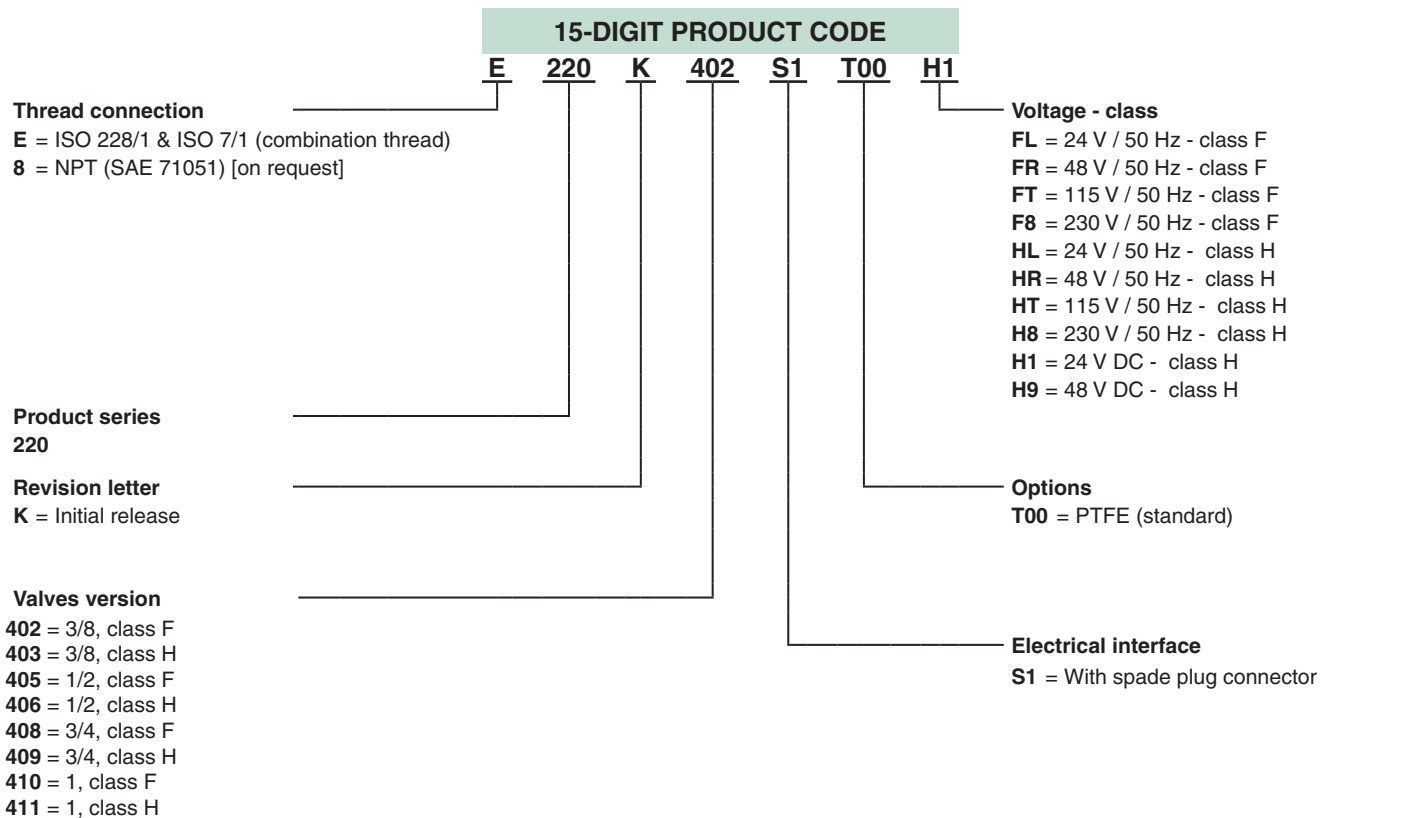
Connector with visual indication and peak voltage suppression or with cable length of 2 m (www.asco.com)

SPECIFICATIONS

pipe size	orifice size (mm)	flow coefficient Kv (m³/h) (l/min)		operating pressure differential (bar)				max. fluid temp. (°C)	class	power coil (W)		thread type	dimensions / type (1)	15-DIGIT PRODUCT CODE							
				max. (PS)						brass	voltage code										
				steam (*)		water (*)					24 V/50 Hz			48 V/50 Hz	115 V/50 Hz	230 V/50 Hz	24 V/DC	48 V/DC			
				min.	~	=	~												=		
WITHOUT MANUAL OPERATOR																					
NC - Normally closed																					
3/8	12,7	3,8	63,3	0	3	3,4	10	6,9	147	F	10,1	-	G*	01	E220K402S1T00	FL	FR	FT	F8	-	-
				H	-	15,6	-	-	H1	H9											
				0,3	9	-	10	-	177	H	10,1	-	G*	01	E220K403S1T00	HL	HR	HT	H8	-	-
				-	7,5	-	10	173	H	-	15,6	-				-	H1	H9			
1/2	12,7	4	66,6	0	3	3,4	10	6,9	147	F	10,1	-	G*	01	E220K405S1T00	FL	FR	FT	F8	-	-
				H	-	15,6	-	-	H1	H9											
				0,3	9	-	10	-	177	H	10,1	-	G*	01	E220K406S1T00	HL	HR	HT	H8	-	-
				-	7,5	-	10	173	H	-	15,6	-				-	H1	H9			
3/4	19	7,5	125	0	3	3,4	10	6,9	147	F	10,1	-	G*	01	E220K408S1T00	FL	FR	FT	F8	-	-
				H	-	15,6	-	-	H1	H9											
				0,3	9	-	10	-	177	H	10,1	-	G*	01	E220K409S1T00	HL	HR	HT	H8	-	-
				-	7,5	-	10	173	H	-	15,6	-				-	H1	H9			
1	25	10	166,6	0,3	3	-	10	-	147	F	10,1	-	G*	02	E220K410S1T00	FL	FR	FT	F8	-	-
					9	-	10	-	177	H	10,1	-				-	-	-			

(1) For dimensions, see drawing(s) for each construction type on the following page(s).

(*) Ensure that the compatibility of the fluids in contact with the materials is verified.



1..5 / 11..16 / 21..32 = Supplied in spare part kit.

		SPARE PARTS KITS CODE (*)				
		AC (-)		DC (=)		
			PTFE		PTFE	
	1	E220K402S1T00FL/FR/FT/F8	M200307	T00	-	-
	2	E220K402S1T00H1/H9	-	-	M200308	T00
	3	E220K405S1T00FL/FR/FT/F8	M200307	T00	-	-
	4	E220K405S1T00H1/H9	-	-	M200308	T00
	5	E220K408S1T00FL/FR/FT/F8	M200310	T00	-	-
		E220K408S1T00H1/H9	-	-	M200311	T00
	11	E220K403S1T00FL/FR/FT/F8	M200309	T00	-	-
	12					
	13	E220K406S1T00FL/FR/FT/F8	M200309	T00	-	-
	14					
	15					
	16	E220K409S1T00FL/FR/FT/F8	M200312	T00	-	-
	21					
	22					
	23	E220K410S1T00FL/FR/FT/F8	M200313	T00	-	-
	24					
	25					
	26					
	27					
	28					
	29					
	30					
	31	E220K411S1T00FL/FR/FT/F8	M200314	T00	-	-
	32					

(*) Ensure that the compatibility of the fluids in contact with the materials is verified.

INSTALLATION

- The solenoid valves can be mounted in any position without affecting operation. For optimum performance mount solenoid vertical and upright
- Pipe connections (G*) have standard combination thread according to ISO 228/1 and ISO 7/1
- Installation/maintenance instructions are included with each valve

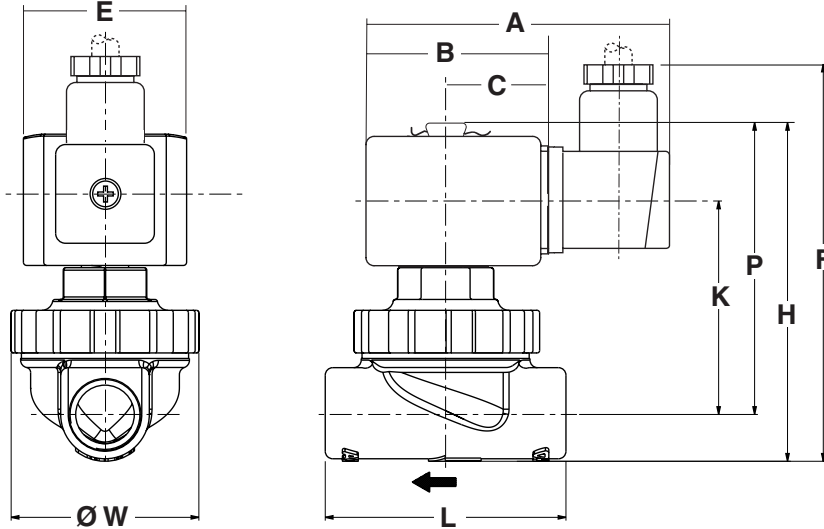
01043GB-2017/R01
Availability, design and specifications are subject to change without notice. All rights reserved.

DIMENSIONS (mm), WEIGHT (kg)

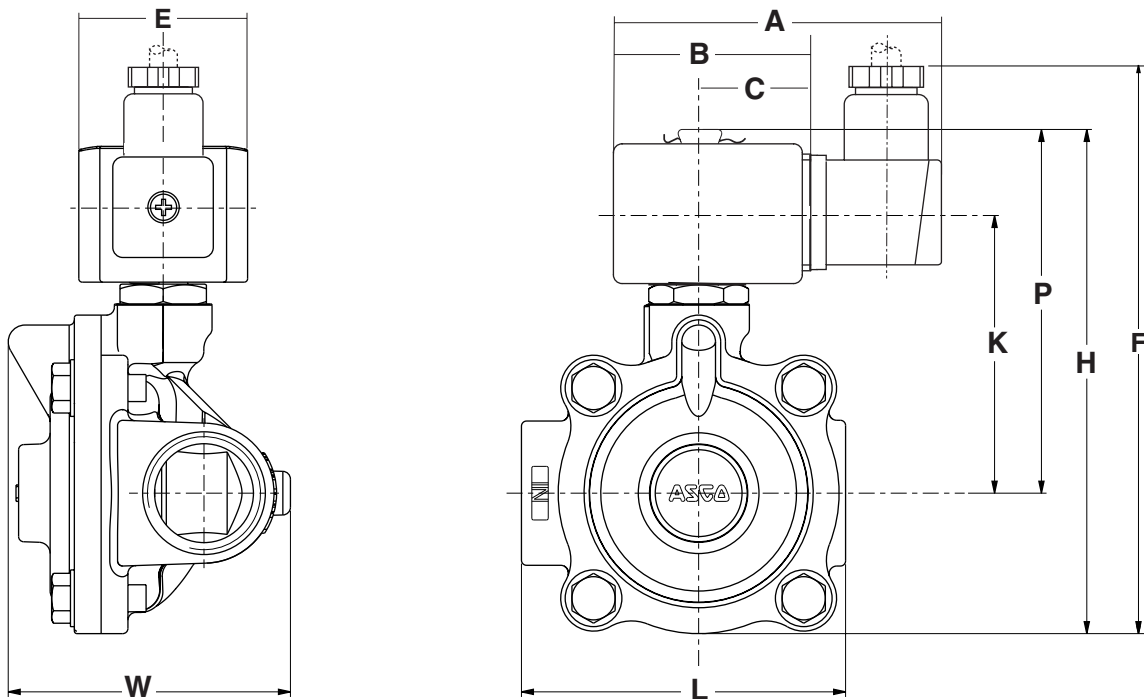


TYPE 01
 Electrical interface "S1"
 Epoxy moulded
 IEC 335 / ISO 4400
 IP65

E220K402/403/405/406/408/409.....



E220K410/411.....



pipe size	A	B	C	E	F	H	K	L	P	W	weight ⁽¹⁾
3/8 - 1/2	91	51	30	50	132	104	65	73	90	57	0,875
3/4	95	57	33	50	134	106	64	73	89	72	0,875
1	96	59	34	50	180	148	82	95	106	83	2,013

⁽¹⁾ Incl. coil(s) and connector(s).