



## **Sure Seal Foot Valves**

### **For Positive Prime with Silent Operation**



## **Features and Benefits**

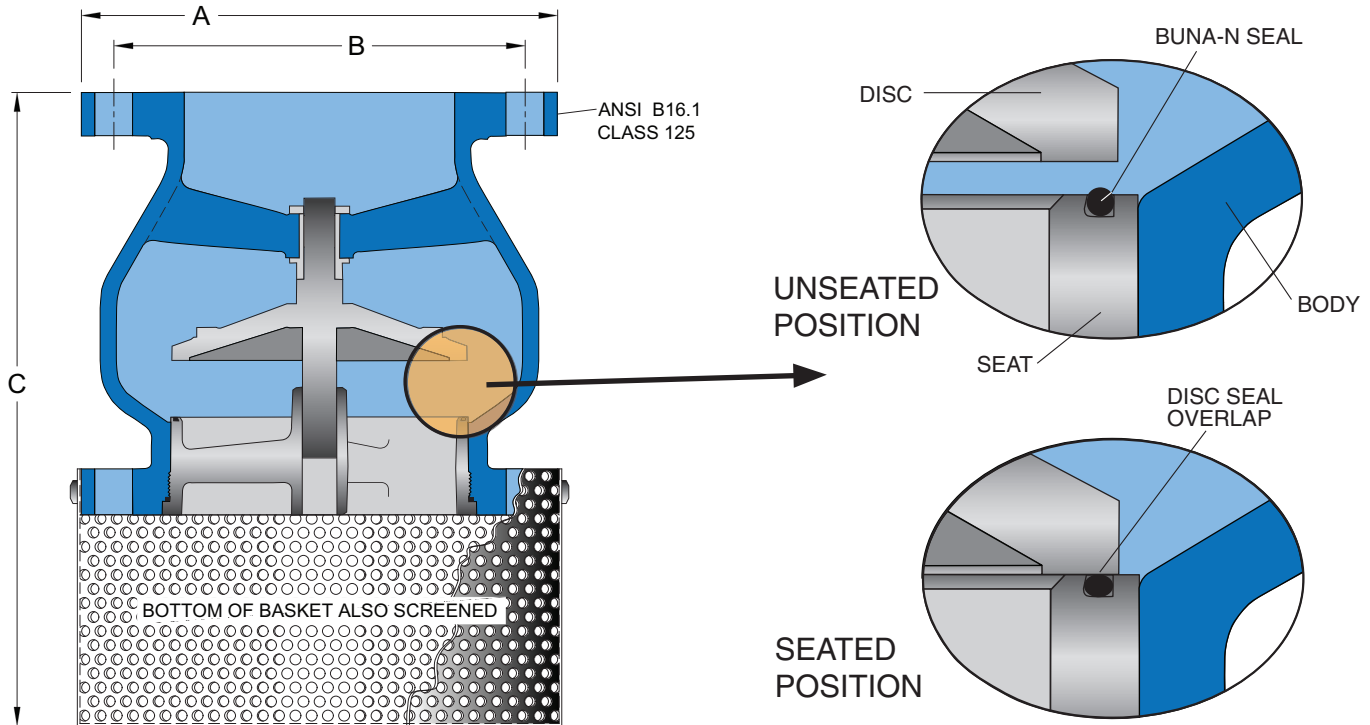
- Size Range: 2" - 42"
- Pressure Range: Up to 200 PSI
- Full flow area, equal to pipe size at all points through valve
- Silent operation, by design of disc, stroke and linear closing characteristics
- Unique seating design, provides positive shut-off at all pressure ranges without additional loading on the seal
- Heavy duty stainless steel screening, with flow area 3 to 4 times that of pipe area

# Why to use a Val-Matic Foot Valve

Design of the Sure Seal Foot Valve evolved through a need for a valve that could provide positive sealing action at various pressure ranges without seal damage along with silent operation.

The Val-Matic Sure Seal Foot Valve satisfies these requirements plus low head loss thru its full ported area and heavy duty stainless steel basket screening.

The unique seating design provides initial contact with the valve disc and the Buna-N ring, providing a drop-tight seal. As the pressure increases, the Buna-N ring is compressed slightly and the disc makes contact with the metal portion of the valve seat, preventing any further compression of the Buna-N ring. The Buna-N ring will continue to provide the "drop-tight seating" during the higher pressure ranges without damage from the increased pressure loading.



| Construction |                  |                 |
|--------------|------------------|-----------------|
| Part No.     | Name             | Material        |
| 1            | Body             | Ductile Iron    |
| 2            | Seat             | Bronze/Buna-N   |
| 3            | Disc             | Bronze          |
| 5            | Bushing          | Bronze          |
| 6            | O-Ring           | EPDM            |
| 7            | Bushing Retainer | Bronze          |
| 9            | Screen Retainer  | Stainless Steel |
| 12           | Screen           | Stainless Steel |

| Dimensions |       |       |       |       |
|------------|-------|-------|-------|-------|
| Size*      | Model | A     | B     | C     |
| 2          | 1902A | 6.00  | 4.75  | 8.44  |
| 2-1/2      | 1925A | 7.00  | 5.50  | 8.44  |
| 3          | 1903A | 7.50  | 6.00  | 8.69  |
| 4          | 1904A | 9.00  | 7.50  | 9.94  |
| 5          | 1905A | 10.00 | 8.50  | 12.19 |
| 6          | 1906A | 11.00 | 9.75  | 18.25 |
| 8          | 1908A | 13.50 | 12.50 | 22.19 |
| 10         | 1910A | 16.00 | 14.25 | 21.88 |
| 12         | 1912A | 19.00 | 17.00 | 23.44 |

\* Contact Factory for larger sizes.

