

SERIES TTE | EXPLOSION-PROOF RTD TEMPERATURE TRANSMITTER

FEATURES/BENEFITS

- FM approved for Class I, Groups B, C, D; Class II, Groups E, F, G classified explosive environments
- Optional LCD
- Output span selected from seven common ranges or user determined

APPLICATIONS

- Explosive process environments
- Offshore HVAC monitoring

DESCRIPTION

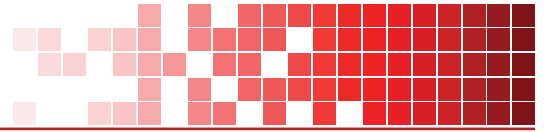
The **SERIES TTE** Explosion-Proof RTD Temperature Transmitter is the ideal product for hazardous temperature measurement applications. The TTE series has seven pre-programmed temperature ranges that are selectable via an internal dip switch. For those applications that need a custom range, the transmitter can be easily configured for any range between -30 to 250°F with a minimum span of 40°F. The span and zero can be quickly adjusted with a simple push button design. The compact housing allows for the transmitter to be mounted in virtually any application.



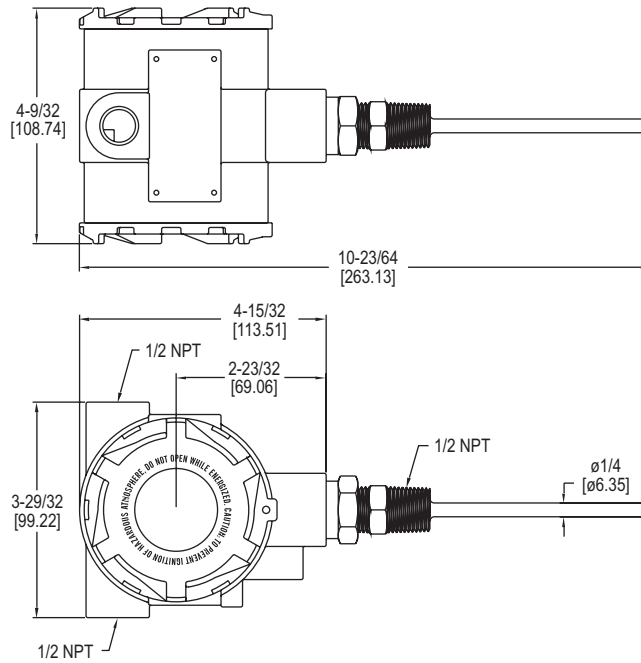
SPECIFICATIONS

Temperature Sensor	Pt1000, 0.00385 DIN.
Output Temperature Ranges	User selectable – any range between -30 to 250°F with a minimum span of 40°F.
Temperature Limits	Ambient: 0 to 158°F (-18 to 70°C); Process: -30 to 250°F (-34.4 to 121.1°C).
Accuracy	Transmitter ±0.1% FS; Probe ±0.3% FS.
Thermal Drift Effects	±0.02%/°C max.
Response Time	250 ms.
Wetted Materials	316 SS.
Process Connection	1/2" male NPT.
Conduit Connection	1/2" female NPT.
Probe Length	2" to 18" (depending on model).
Pressure Limits	2000 psi (137.9 bar).
Power Requirements	10 to 35 VDC.
Output Signal	4 to 20 mA (two wire loop powered).
Optional Display	2 lines X 8 character LCD.
Enclosure Rating	NEMA 4X (IP66) and explosion-proof for Class I, Groups B, C, D; Class II, Groups E, F, G; Class III.
Weight	2 lb 8 oz (1134 g).
Agency Approvals	CE, FM.



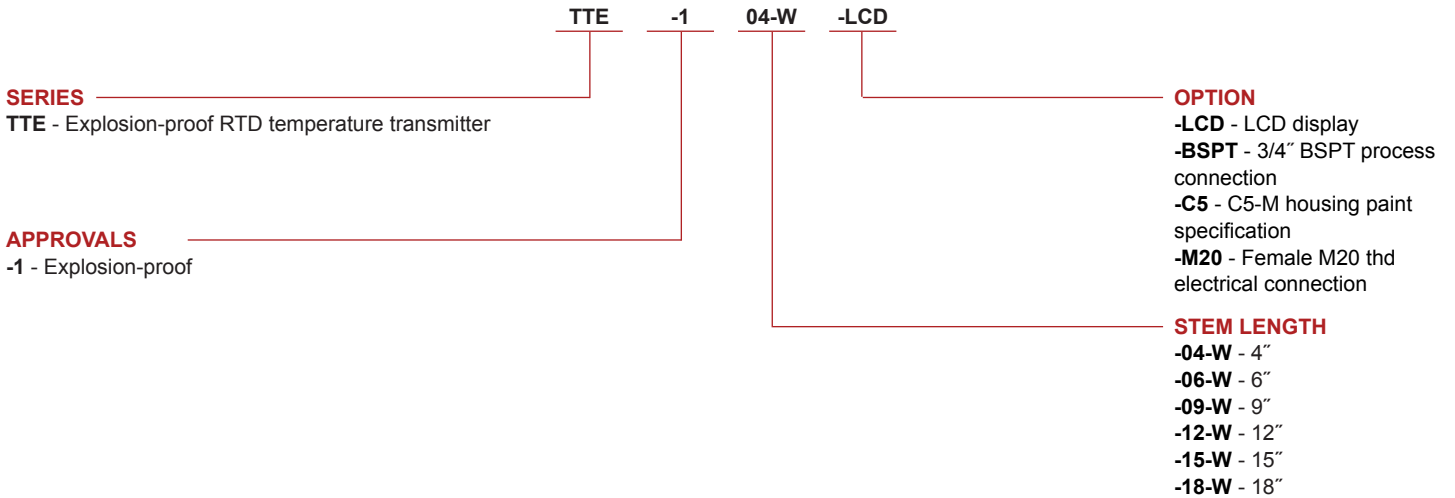


DIMENSIONS



HOW TO ORDER

Use the **bold** characters from the chart below to construct a product code.



ACCESSORIES

Model	Description
A-287	Mounting bracket for pipe or surface mounting

Important Notice: Dwyer Instruments, Inc. reserves the right to make changes to or discontinue any product or service identified in this publication without notice. Dwyer advises its customers to obtain the latest version of the relevant information to verify, before placing any orders, that the information being relied upon is current.

