



**PROCESS GAUGES**

# SOLFRUNT® Solid Front 4-1/2" Model 1986 EZ Fill Gauges with MONEL Internals

**DESCRIPTION**

The Model 1986 4-1/2" SOLFRUNT solid front process gauge has a seamless MONEL Bourdon tube and socket. The Model 1986 gauge is typically used for HF service (hydrofluoric acid) during the alkylation process at a refinery. This gauge has a black glass reinforced thermoplastic (PBTB) solid front turret style safety case for chemical and petrochemical processing applications. This model comes standard with an EZ Fill field fillable case standard. No extra parts are needed to make this gauge a liquid filled unit, simply remove plug and fill with glycerine, silicone, mineral oil or Halocarbon.

The Model 1986 4-1/2" gauges are supplied in 21 vacuum, compound, and pressure ranges from 30" Hg vacuum through 10000 psi. Standard dials are single scale psi, but this gauge can be ordered with custom dials.

Please contact Customer Service at +1 215-674-1234 or email us at [usg.sales@ametek.com](mailto:usg.sales@ametek.com) for more information.

**SPECIFICATIONS**

**SIZE:** 4-1/2"

**ACCURACY:** ±0.5% of span (Grade 2A)

**BOURDON TUBE:** Seamless MONEL

**WINDOW:** Polycarbonate; optional shatter-resistant safety glass

**MOVEMENT:** Stainless steel

**DIAL:** Aluminum with baked white background and black markings (optional bright yellow dial or luminescent dial)

**POINTER:** Aluminum, micro-adjustable with black finish

**CASE AND RING:**

*For Stem or Wall Mounting:*

Thermoplastic PBTB solid front turret style safety case (black) with glass reinforced thermoplastic, threaded ring and pressure-relieving back (optional yellow and orange cases available, add YEL or ORG to end of spec number)

**CONNECTION:** MONEL, 1/2-14 NPT (standard) or 1/4-18 NPT

**WEATHER PROTECTION:** NEMA 4X/IP67



**SOLFRUNT Model 1986**



**SOLFRUNT Model 1986**  
*with yellow case option*  
*(orange case is also available)*



**PROCESS GAUGES**

# SOLFRUNT® Solid Front 4-1/2" Model 1986 EZ Fill Gauges with MONEL Internals

**Spec Number Selection Chart**

Model Number	1986	1986
<b>Bourdon Tube</b>	<b>MONEL</b>	<b>MONEL</b>
<b>Socket</b>	<b>MONEL</b>	<b>MONEL</b>
<b>Sizes</b>	<b>4 - 1/2"</b>	<b>4 - 1/2"</b>
<b>Connections</b>	<b>1/2" NPT</b>	<b>1/4" NPT*</b>
<b>Ranges**</b>	<b>Spec No.</b>	<b>Spec No.</b>
0 - 30" Hg VAC	170060K	175060K
30" - 0 - 15 psi	170061K	175061K
30" - 0 - 30 psi	170062K	175062K
30" - 0 - 60 psi	170063K	175063K
30" - 0 - 100 psi	170064K	175064K
30" - 0 - 150 psi	170065K	175065K
30" - 0 - 300 psi	270449K	275449K
0 - 15 psi	170066K	175066K
0 - 30 psi	170067K	175067K
0 - 60 psi	170068K	175068K
0 - 100 psi	170069K	175069K
0 - 160 psi	170070K	175070K
0 - 200 psi	170071K	175071K
0 - 300 psi	170072K	175072K
0 - 400 psi	170073K	175073K
0 - 600 psi	170074K	175074K
0 - 1000 psi	170075K	175075K
0 - 2000 psi	170529K	175529K
0 - 3000 psi	170530K	175530K
0 - 5000 psi	170531K	175531K
0 - 10000 psi	170532K	175532K

\* Some 1/4" NPT gauges in stock at Distributor Center. Please contact USG Customer Service for details at [usg.sales@ametek.com](mailto:usg.sales@ametek.com).

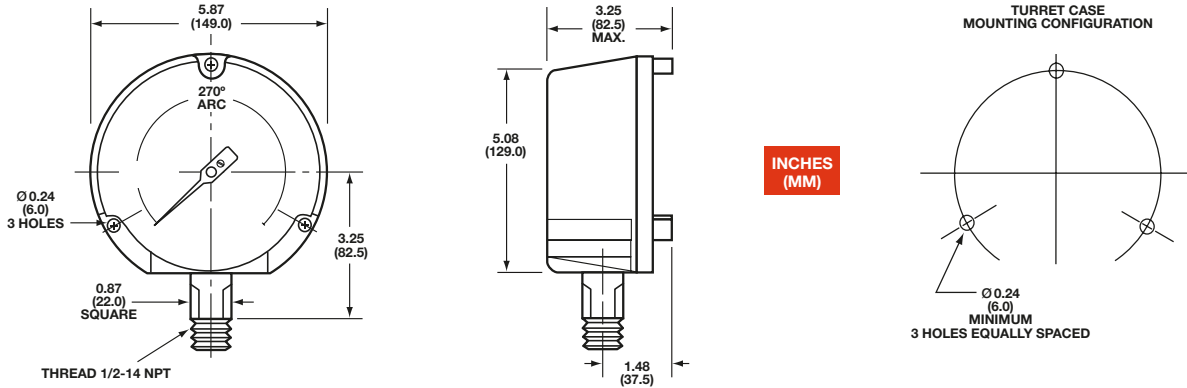
\*\* Metric and dual scale dials are available on all 1900 Series gauges. Please contact Customer Service.

**NOTE:** This table is not intended to be all inclusive of all possible configurations; please see Ordering Codes on next page for more options.



**PROCESS GAUGES**

# SOLFRUNT® Solid Front 4-1/2" Model 1986 EZ Fill Gauges with MONEL Internals



**Model Number Ordering Codes:**

<b>Case type</b>	
17/27	EZ Fill case
<b>Connection size</b>	
0	1/2-14 NPT thread (standard)
5	1/4-14 NPT thread
<b>Pressure range</b>	
Pressure range – see table on previous page	
<b>Fill fluid type</b>	
LG	Glycerin
LS	Silicone
LM	Mineral Oil
<b>Additional options</b>	
SR	Shatter-resistant window
CL	Oxygen service
/C	NIST certification
YEL	Yellow case
ORG	Orange case
/M	Material certification
LUM	Luminescent dial
/YB	Bright yellow dial
17	0
069K	LG
	SR

Consult Customer Service for additional options.