

FEATURES

- Valves are designed to eliminate water hammer when closing
- The unique closing construction reduces pressure spikes to a level eliminating the need for suppressors and other controls
- Two way slow closing shut-off valves to control cold and hot water, or other fluids compatible with the sealing materials used
- Valves require a minimum ΔP
- The solenoid valves satisfy all relevant EC directives

GENERAL

Differential pressure 0,2 - 10 bar [1 bar = 100 kPa]
Response times 295 - 560 ms

fluids (*)	temperature ranges (TS)	seal materials (*)
cold and hot water	0 to +85°C 0 to +100°C	NBR (nitrile) EPDM (ethylene-propylene)



CONSTRUCTION

Anti waterhammer test EN 60730-2-8

MATERIALS IN CONTACT WITH FLUID

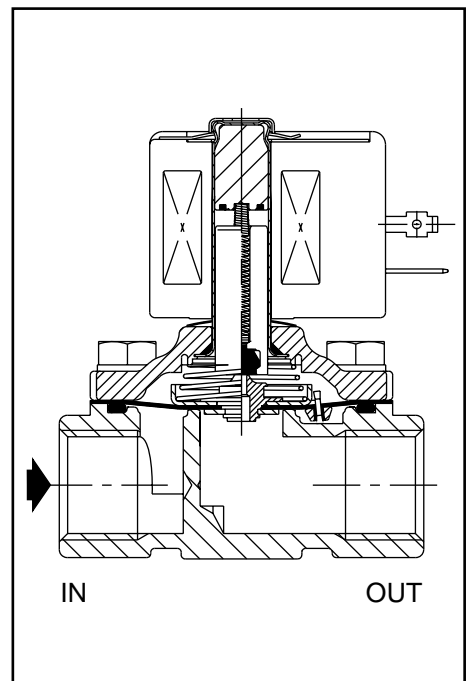
(*) Ensure that the compatibility of the fluids in contact with the materials is verified

Body	Brass
Core tube	Stainless steel
Core and plugnut	Stainless steel
Springs	Stainless steel
Seat	Brass
Seal	NBR or EPDM
Diaphragm	NBR or EPDM
Shading coil	Copper

ELECTRICAL CHARACTERISTICS

Coil insulation class	F
Connector	Spade plug (cable \varnothing 6-10 mm)
Connector specification	ISO 4400 / EN 175301-803, form A
Electrical safety	IEC 335
Standard voltages	DC (=) : 24V AC (~) : 24V - 115V - 230V / 50 Hz

coil type	power ratings				ambient temperature range (TS) (°C)	protection
	inrush ~	holding ~		hot/cold =		
		(VA)	(VA)			
CM6-FT	34,0	15,6	6,0	-	-20 to +75	moulded IP65
CMXX-FT	55,0	23,0	10,5	9 / 11,2		



SPECIFICATIONS

pipe size	orifice size	flow coefficient Kv		operating pressure differential (bar)				coil type		catalogue number	OPTIONAL		
				min.	maximum (PS)		FPM				CR		
					cold water (*)	hot water (*)							
Rp	(mm)	(m³/h)	(l/min)					~	=				
Brass body, NBR seals and discs													
3/8	16	2,6	43	0,20	7	2,8	-	-	CMXX-FT	CMXX-FT	SCE210.893	V	J
3/8	16	2,6	43	0,35	10	7	-	-	CM6-FT	CMXX-FT	SCE210.801	V	J
1/2	16	3,1	52	0,20	7	2,8	-	-	CMXX-FT	CMXX-FT	SCE210.894	V	J
1/2	16	3,4	57	0,35	10	7	-	-	CM6-FT	CMXX-FT	SCE210.802	V	J
3/4	19	4,3	72	0,20	7	2,8	-	-	CMXX-FT	CMXX-FT	SCE210.895	V	J
3/4	19	4,3	72	0,35	10	7	-	-	CM6-FT	CMXX-FT	SCE210.809	V	J
Brass body, EPDM seals and discs													
3/8	16	2,6	43	0,20	-	-	7	-	CMXX-FT	-	SCE210.893E		
3/8	16	2,6	43	0,35	-	-	10	-	CM6-FT	-	SCE210.801E		
1/2	16	3,1	52	0,20	-	-	7	-	CMXX-FT	-	SCE210.894E		
1/2	16	3,4	57	0,35	-	-	10	-	CM6-FT	-	SCE210.802E		
3/4	19	4,3	72	0,20	-	-	7	-	CMXX-FT	-	SCE210.895E		
3/4	19	4,3	72	0,35	-	-	10	-	CM6-FT	-	SCE210.809E		

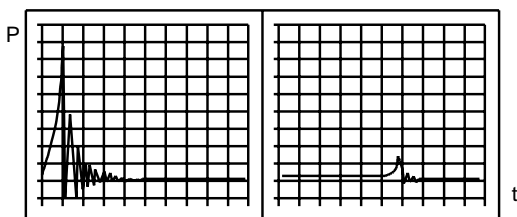
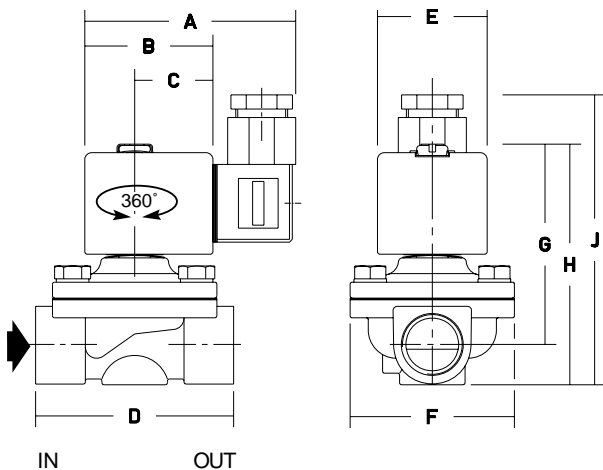
OPTIONS

- Valves can also be supplied with FPM (fluorelastomer) and CR (chloroprene) diaphragms, seals and discs. Use the appropriate optional suffix letter for identification
- Waterproof enclosure with embedded screw terminal coil and Pg 13,5 cable gland to meet CEE-10 (IP67)
- Explosionproof enclosures for hazardous locations according to "ATEX/CENELEC" and national standards
- Explosionproof and watertight enclosures according to "NEMA" standards
- Compliance with "UL" and "CSA" standards
- For protection against corrosion caused by the environment or the fluid, contact us
- Mounting brackets
- Plug with visual indication and with peak voltage suppression or with cable length of 2m

INSTALLATION

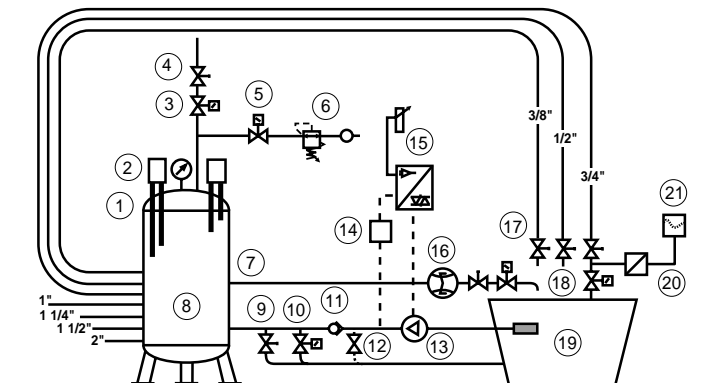
- The valves can be mounted in any position without affecting operation
- Pipe connection identifier is: E = Rp (ISO 7/1)
- The third digit in the catalogue number indicates the standard pipe connection
- Other pipe threads are available on request
- Installation/maintenance instructions are included with each valve
- Spare Parts Kit and replacement coils are available

DIMENSIONS (mm), WEIGHT (kg)



'Standard' Quick Closing Water Valve ASCO's Slow Closing Water Valve

ARRANGEMENT FOR THE MEASUREMENT OF TRANSIENT PRESSURE CAUSED BY WATER VALVES



- | | |
|----------------------|-------------------------------|
| ① Lever controller | ⑪ Non-return valve |
| ② Pressure gauge | ⑫ By-pass valve |
| ③ Bleeder valve | ⑬ Pump |
| ④ Reducing valve | ⑭ Pressure indicator for pump |
| ⑤ Slide valve | ⑮ Frequency converter |
| ⑥ Pressure regulator | ⑯ Integrating flow meter |
| ⑦ Supply pipe | ⑰ Ball valves |
| ⑧ Compensating tank | ⑱ Test valves |
| ⑨ Safety valve | ⑲ Water container |
| ⑩ Solenoid valve | ⑳ Pressure indicator |
| | ㉑ Recorder |

catalogue number SCE210		A	B	C	D	E	F	G	H	J	weight (1)
801 - 802 (E)	(~)	75	45	27	70	39	58	72	86	103	0,8
893 - 894 (E)	(~)	80	50	30	70	45	58	85	99	116	1,2
809 (E)	(~)	75	45	27	71	39	58	76	92	109	0,8
895 (E)	(~)	80	50	30	71	45	58	89	106	123	1,3
801 - 893	(=)	80	50	30	70	45	58	85	99	116	1,2
802 - 894	(=)	80	50	30	70	45	58	85	99	116	1,2
809 - 895	(=)	80	50	30	71	45	58	89	106	123	1,3

(1) incl. coil and connector (~) AC only (=) DC only

All leaflets are available on: www.ascojoucomatic.com