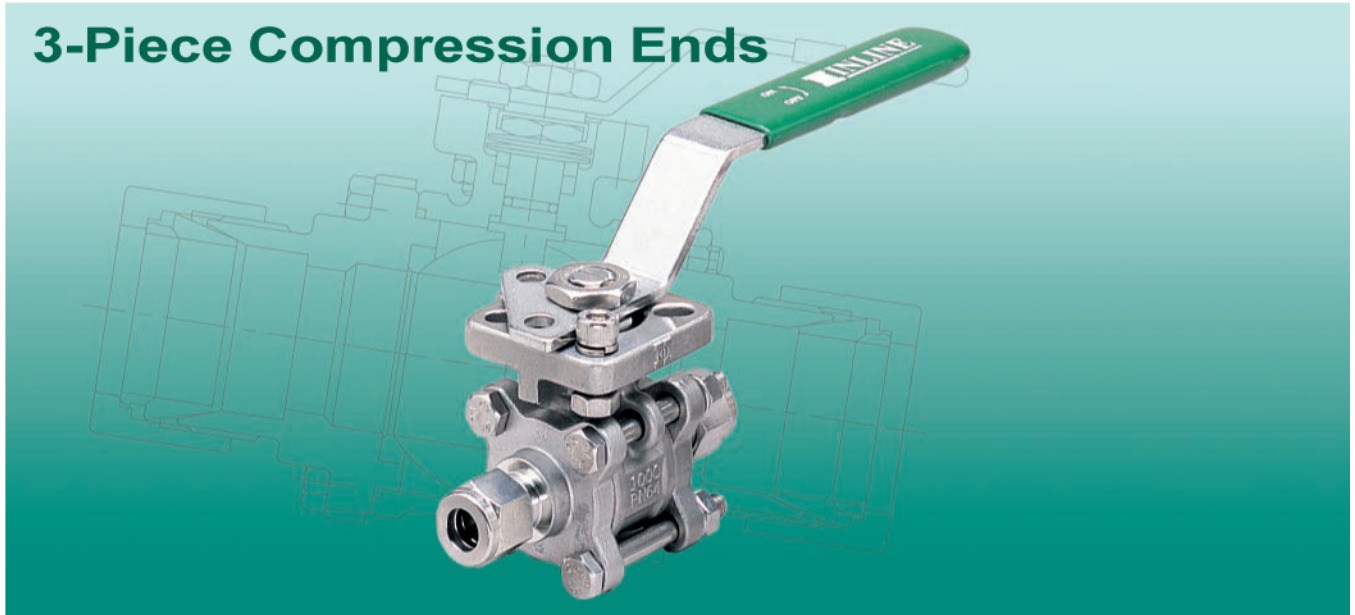


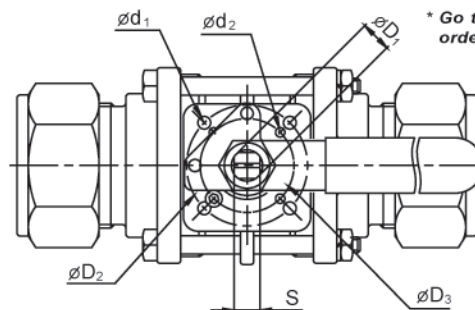
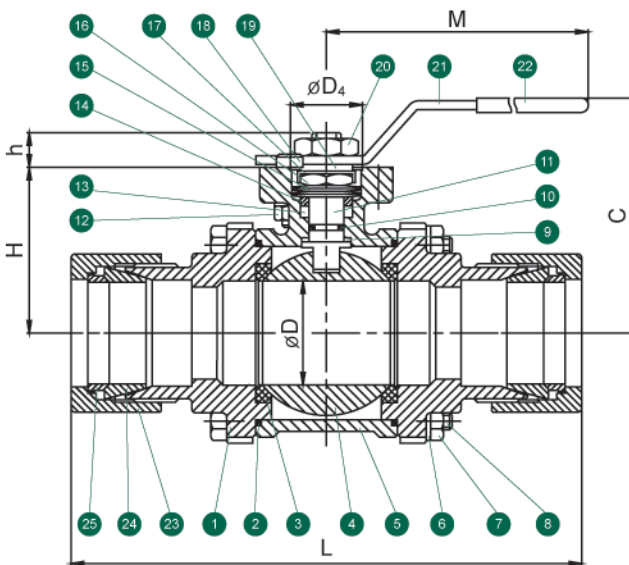
# 304C Instrumentation Ball Valve

## 3-Piece Compression Ends



Dimensions (Inches)													
Size	L	C	D	D <sub>1</sub>	D <sub>2</sub>	D <sub>3</sub>	D <sub>4</sub>	d <sub>1</sub>	d <sub>2</sub>	M	H	h	S
1/4	3.33	2.60	0.43	0.47	1.65	1.42	0.99	0.24	0.24	5.32	1.46	0.35	0.36
3/8	3.49	2.60	0.49	0.47	1.65	1.42	0.99	0.24	0.24	5.32	1.46	0.35	0.36
1/2	3.76	2.60	0.59	0.47	1.65	1.42	0.99	0.24	0.24	5.32	1.46	0.35	0.36
3/4	4.13	2.80	0.79	0.47	1.65	1.42	0.99	0.24	0.24	5.32	1.65	0.37	0.36
1	4.69	3.03	0.99	0.55	1.97	1.65	1.18	0.28	0.24	6.30	1.91	0.43	0.43

Valve Components			
#	Part Name	Material	Qty.
1	End Cap	A351 Gr. CF8M	2
2	Body Seal	PTFE	2
3	Seat	RTFE (15% C.F.)	2
4	Ball	316SS	1
5	Body	A351 Gr. CF8M	1
6	Spring Washer	304SS	4
7	Body Nut	304SS	4
8	Body Bolt	304SS	4
9	Thrust Washer	PEEK	1
10	Stem O-Ring	Viton 90	1
11	Stem	316SS	1
12	Stop Pin Nut	304SS	1
13	Stem Packing Set	PTFE	1
14	Gland Washer	304SS	1
15	Belleville Washer	301SS	2
16	Stem Nut	304SS	1
17	Nut Stop	304SS	1
18	Stop Pin Bolt	304SS	1
19	Space Washer	304SS	1
20	Handle Nut	304SS	1
21	Handle	304SS	1
22	Handle Cover	Vinyl	1
23	Locking Nut	316SS	2
24	Front Ferrule	316SS	2
25	Back Ferrule	316SS	2



- Temperature Range (RTFE):  
-20°F - 450°F
- Maximum Pressure (RTFE):  
1000 PSI (1/4" - 1")

\* Go to 304F series brochure for ordering information



9056 Garvey Avenue  
Rosemead, CA 91770  
Tel: (626) 813-6188  
Fax: (626) 813-6186  
[www.ballvalve.com](http://www.ballvalve.com)  
[info@ballvalve.com](mailto:info@ballvalve.com)