

# 201S Ball Valve

## 2-Piece Standard Port



For Manual Service

General Chemical

Industrial

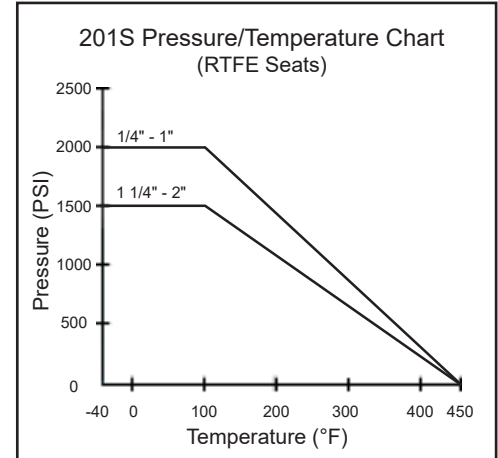
Corrosion Resistant  
Applications

## Standard Features and Benefits

- **Economical 2-Piece Design**
- **Blow-Out-Proof Stem**  
Bottom loaded to prevent removal during operation
- **Locking Device**  
Enables plant personnel to secure valve in open or closed position when manually operated
- **Corrosion Resistant**  
Made of 316 stainless steel (A351 Gr. CF8M) for superior chemical resistance and longer service life
- **Investment Cast**  
Improves dimensional control and reduces porosity

## Options

- **Oval Handle**



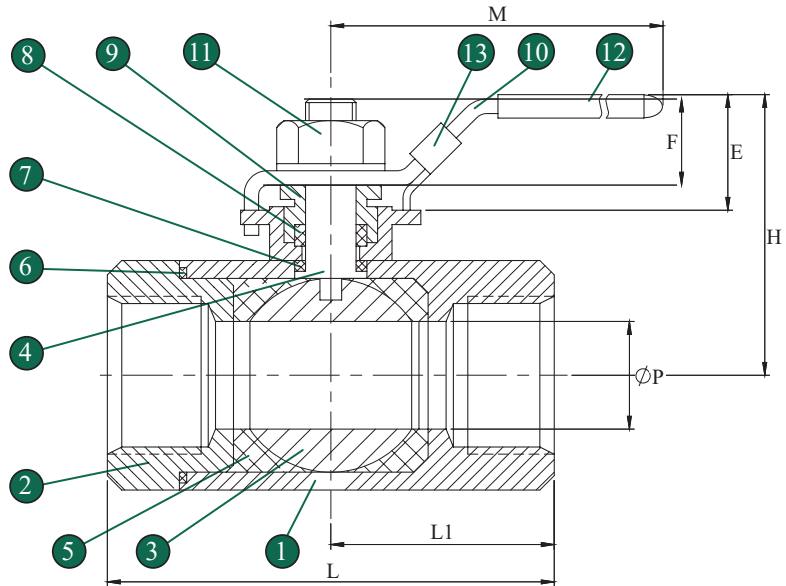
## Operating Conditions

- Temperature Range (RTFE):  
-40°F ~ 450°F
- Maximum Pressure (RTFE):  
2000 PSI WOG (1/4" - 1")  
1500 PSI WOG (1 1/4" - 2")

## Specifications

- All valves shell and seat tested to ANSI/ASME B16.34 and API 598
- NPT to ASME B1.20.1

Valve Components			
No.	Part Name	Material	Qty
1	Body	CF8M	1
2	End Cap	CF8M	1
3	Ball	316 SS	1
4	Stem	316 SS	1
5	Seat	RTFE (15% G.F.)	2
6	Body Seal	PTFE	1
7	Thrust Washer	RTFE (15% G.F.)	1
8	Stem Packing Set	RTFE (15% G.F.)	1
9	Packing Gland	304 SS	1
10	Handle	304 SS	1
11	Handle Nut	304 SS	1
12	Handle Cover	Vinyl	1
13	Locking Device	304 SS	1



Dimensions (Inches)								
Size	L	L1	P	M	H	E	F	Weight (lbs)
1/4"	2.24	1.02	0.51	3.9	2.0	1.4	0.43	0.7
3/8"	2.24	1.02	0.51	3.9	2.0	1.4	0.43	0.7
1/2"	2.36	1.14	0.51	3.9	2.0	1.4	0.43	0.7
3/4"	3.11	1.50	0.69	4.8	2.4	1.7	0.47	1.3
1"	3.35	1.61	0.88	4.8	2.6	1.7	0.47	1.8
1 1/4"	4.02	2.03	1.01	5.7	3.3	1.6	0.79	3.1
1 1/2"	4.37	2.20	1.26	5.7	3.5	1.7	0.79	4.1
2"	5.39	2.68	1.51	7.1	5.4	1.6	0.79	6.0

## 201S Ordering Information

Example: 2" Standard Port Ball Valve with Lever Handle and Locking Device, 316 SS Body and Trim, RTFE (15% G.F.) Seats and PTFE Seals, NPT Ends

Valve Series	Valve Size	Body Material	End Material	Ball Material	Stem Material	Seat	Seal	End Connection	Port	Ball Configuration
201S - Standard Port	2 3 5 7 A B C D	6 - A351 Gr. CF8M (316)	6 - A351 Gr. CF8M (316)	6 - 316 SS	6 - 316 SS	R - RTFE (15% G.F.)	T - PTFE F - 50% 316 SS Filled PTFE	T - NPT	2 - 2 Way	S - Straight Port

Due to continuous product development, information may change without notice.



INLINE INDUSTRIES, INC.

9056 Garvey Avenue  
Rosemead, CA 91770

Tel: (800) 568-8998  
(626) 813-6188

Fax: (626) 813-6186

www.ballvalve.com  
info@ballvalve.com

Distributed by: