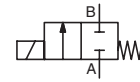




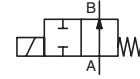
SOLENOID VALVES

direct operated, coaxial
for high pressure fluids
3/8 to 1

NC



NO



2/2
Series
287

FEATURES

- Coaxial-type solenoid operated valve designed for high flow rates with low pressure loss
- Compatible with viscous or abrasive gases and liquids
- Suitable for high pressure applications
- Solenoid operated valve designed for long service life
- Vacuum operation up to 10^{-4} mbar
- The valves satisfy article 4.3 of Pressure Equipment Directive 2014/68/EU

GENERAL

Differential pressure	A → B : 40 bar, B → A : 12 bar [1 bar = 100 kPa]			
Maximum viscosity	500 cSt (mm ² /s)			
Response time (air operation ΔP = 4 bar)	3/8	1/2	3/4	1
opening time (ms)	45	60	105	150
closing time (ms)	70	130	150	190

fluids (*)	temperature range (TS)	seal materials (*)
air and gas groups 1 & 2 water, oil, liquids groups 1 & 2	-20°C to +100°C	FPM (fluoroelastomer) PTFE

MATERIALS IN CONTACT WITH FLUID

(*) Ensure that the compatibility of the fluids in contact with the materials is verified

	Brass body	Stainless steel body
Body	Brass	Stainless steel
Internal parts	Brass	Stainless steel
Tube	Stainless steel	Stainless steel
Seals	FPM /PTFE	FPM /PTFE
Disc seal	FPM	FPM

ELECTRICAL CHARACTERISTICS

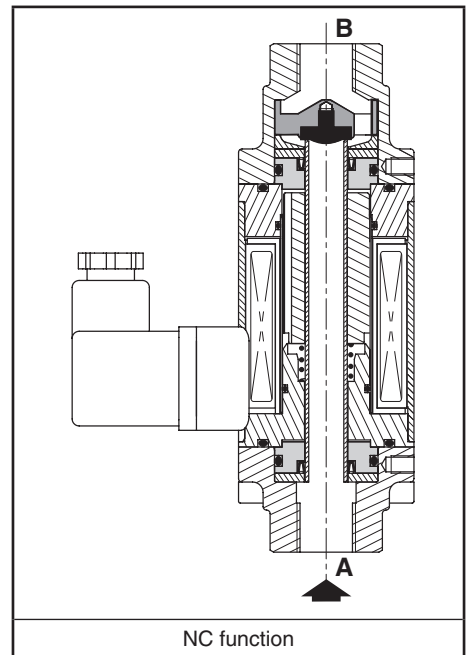
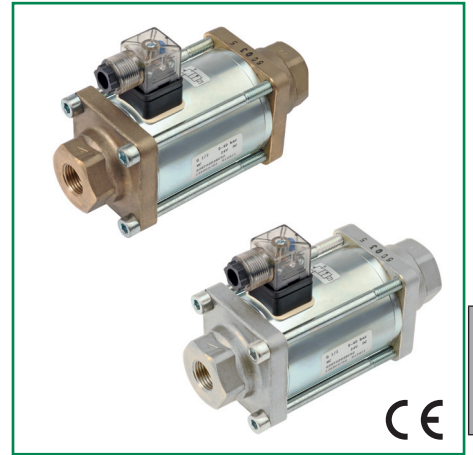
Coil insulation class	H
Connector (rectifier for AC)	Spade plug (cable Ø 6-8 mm) with indicator LED
Connector specification	ISO 4400 / EN 175301-803, form A
Electrical safety	IEC 335
Electrical enclosure protection	IP65 (EN 60529)
Standard voltages	DC (=) : 24V AC (~) : 115V - 230V / 50 Hz

prefix option	pipe size	power ratings (integrated coil DC (=), cold)			operator ambient temperature range (TS) (C°)	replacement coil		type ⁽¹⁾
		115 V ~ (W)	230 V ~ (W)	24 V ~/= (W)		~	=	
SC	3/8	40	42	35	-20 to +60	-	-	01
	1/2	45	55	51				
	3/4	62	60	53				
	1	68	69	60				

⁽¹⁾ Refer to the dimensional drawings on the following page.

SPECIFICATIONS

pipe size	DN	flow coefficient Kv		operating pressure differential (bar)				power coil (W)		catalogue number		
				max. (PS)						brass	stainless steel	
				air/gas/water/oil (*)								
				B → A		A → B						
G		(m ³ /h)	(l/min)	~	=	~	=	~	=	~/=	~/=	
NC - Normally closed												
3/8	10	2,2	36,6	0	12	12	40	40	42	35	SCG287A001	SCG287A009
1/2	15	5,2	86,6	0	12	12	40	40	55	51	SCG287A002	SCG287A010
3/4	20	7,5	125	0	12	12	40	40	60	53	SCG287A003	SCG287A011
1	25	12,2	203,3	0	12	12	40	40	69	60	SCG287A004	SCG287A012
NO - Normally open												
3/8	10	2,2	36,6	0	12	12	40	40	42	35	SCG287A005	SCG287A013
1/2	15	5,2	86,6	0	12	12	40	40	55	51	SCG287A006	SCG287A014
3/4	20	7,5	125	0	12	12	40	40	60	53	SCG287A007	SCG287A015
1	25	12,2	203,3	0	12	12	40	40	69	60	SCG287A008	SCG287A016



OPTIONS

- Connector rectifier: 115 V AC, catalogue number: **88122635**; 230 V AC, catalogue number: **88122634**

INSTALLATION

- The solenoid valves can be mounted in any position without affecting operation
- Solenoid valves have 2 mounting holes in body
- Pipe connection identifier is G = G (ISO 228/1)
- Installation/maintenance instructions are included with each valve

SPARE PARTS KIT & ACCESSORIES

catalogue number	spare parts kit no.		mounting bracket no.
	brass	stainless steel	
SCG287A001/009/005/013	C140178	C140179	C140130
SCG287A002/010/006/014	C140182	C140183	C140131
SCG287A003/011/007/015	C140186	C140187	C140132
SCG287A004/012/008/016	C140190	C140191	C140133

ORDERING EXAMPLES:

SC	G	287	A	001	230V / 50 Hz
SC	G	287	A	005	115V / 50 Hz
SC	G	287	A	009	24V / DC

prefix — pipe thread — basic number — voltage — suffix

ORDERING EXAMPLES KITS:

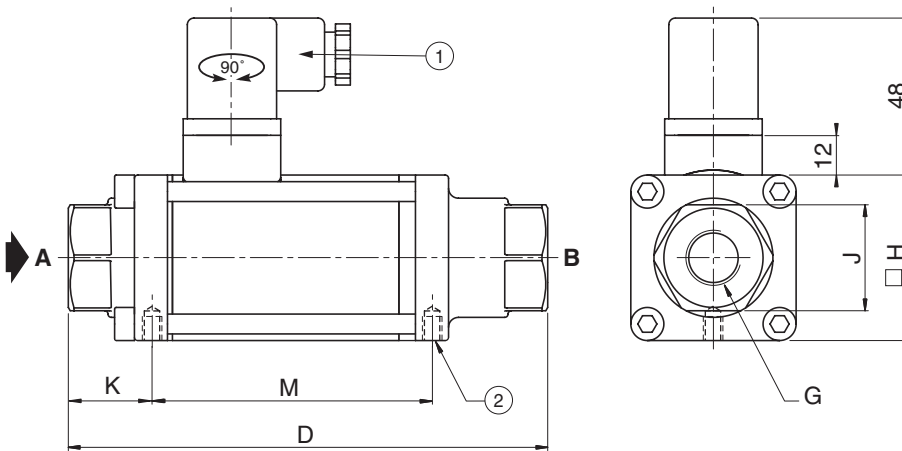
C140179	basic number
C140183	

DIMENSIONS (mm), WEIGHT (kg)



TYPE 01

Prefix "SC" Solenoid
IEC 335 / ISO 4400
IP65



- ① Connector rectifier for AC (~)
- ② 2 mounting holes Ø M5, depth 7 mm

type	prefix option	G	D	H	J	K	M	X	Y	Z	weight ⁽¹⁾
01	SC	3/8	145	50	32	25	85	24	111	6	1,7
		1/2	173	70	41	31	103	38	136	6	3,7
		3/4	193	80	46	35	111	45	151	7	5,4
		1	212	90	55	36	121	50	165	7	7,1

⁽¹⁾ Including connector (without mounting brackets).

