



**LIQUID FILLED GAUGES**

# Model 1555 Series 1-1/2", 2", 2-1/2", and 4" Gauges with Brass Internals and SST Case

**DESCRIPTION**

U.S. Gauge Models 1555, 1558 and 1559 liquid filled utility gauges are designed for a wide range of rugged service applications on pumps, compressors, hydraulic systems, machine tools, and petrochemical processing equipment. Liquid fill fluid dampens the gauge pointer movement and improves readability, making these instruments ideal for high shock and vibration applications.

Models 1555, 1558 and 1559 liquid filled gauges are available in psi and bar, kPa, and kg/cm<sup>2</sup> metric ranges. Rated accuracy is ±3-2-3% of span (Grade B), or ±1.6% for 4" (Grade B+).

Gauges feature a corrosion resistant 300 series stainless steel case and ring, and durable polycarbonate window. A phosphor bronze Bourdon tube, brass movement, and socket connections are standard. The lower mount (LM) Model 1555 comes in 2", 2-1/2", and 4" versions with a 1/4-18 or 1/2-14 NPT connection. The model 1559 is a center back mount (CBM) gauge that comes in a 1-1/2" design with a 1/8-27 NPT connection or the 2" and 2-1/2" designs with a 1/4-18 NPT connection. The Model 1558 is a 2-1/2" or 4" center back mount (CBM) gauge with a front flange for panel mounting.

Gauges are available dry or liquid filled with glycerin, silicone, or mineral oil from our Distribution Center in Michigan.

**SPECIFICATIONS**

- SIZES:** 1-1/2", 2", 2-1/2", 4"
- RANGES:** Dual scale psi/bar (100 x kPa); psi/kPa
- ACCURACY:** ±3-2-3% of span (Grade B); ±1.6% for 4" (Grade B+)
- BOURDON TUBE:** Phosphor bronze
- WINDOW:** Polycarbonate
- MOVEMENT:** Brass
- DIAL:** Aluminum, white background with blue and black markings
- POINTER:** Aluminum, black finish
- CASE AND RING:** 300 series stainless steel case and crimped ring
- CONNECTION:** 1-1/2" – 1/8-27 CBM, NPT; 2", 2-1/2", 4" – 1/4-18 NPT LM, CBM and CBM with front flange; 4" – 1/2-14 LM, NPT
- SEALS:** BUNA-N
- WEATHER PROTECTION:** NEMA 4X/IP66

**Low Pressure Vent Plug**

A vent plug with pop-up pin is used for all low pressure gauges, from 30" Hg to 30 psi. For gauges in pressure ranges of 60 psi and above a standard one piece black BUNA-N plug is used.



**Model 1558**



**Model 1555**

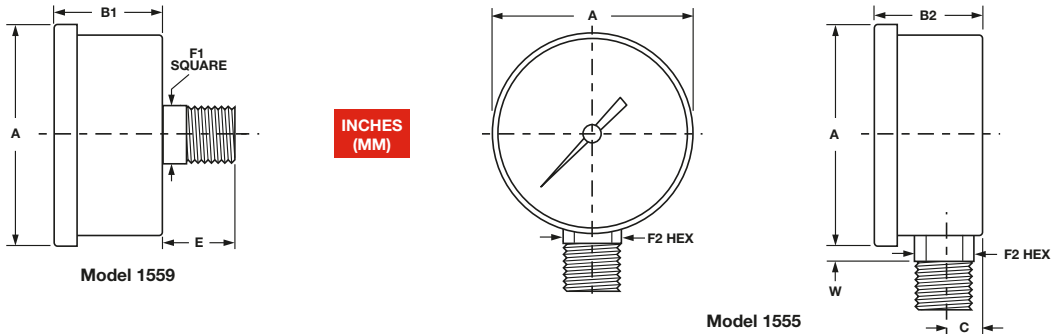


**Models 1559**



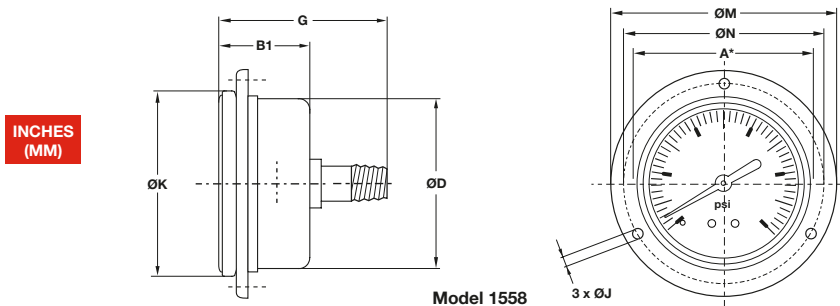
**LIQUID FILLED GAUGES**

# Model 1555 Series 1-1/2", 2", 2-1/2", and 4" Gauges with Brass Internals and SST Case



**Dimensions – Model 1559 and Model 1555**

Dial Sizes	Unit	Connection	A	B1	B2	C	E	F1	F2	W
1-1/2"	inches mm	CBM	1.74 44.2	1.13 28.7	-	-	0.75 19.1	0.55 14.0	-	-
2"	inches mm	LM CBM	2.27 57.7	1.11 28.2	1.16 29.5	0.39 9.9	0.74 18.8	0.55 14.0	0.55 14.0	0.35 8.9
2-1/2"	inches mm	LM CBM	2.67 67.8	1.34 34.0	1.24 31.5	0.41 10.4	0.97 24.6	0.55 14.0	0.55 14.0	0.35 8.9
4"	inches mm	LM	4.122 104.7	-	1.34 34.0	0.41 10.4	-	-	0.55 14.0	0.35 8.9



**Dimensions – Model 1558 with Front Flange**

Dial Sizes	Unit	Connection	A	B1	D	G	J	K	N	M
2-1/2"	inches mm	CBM	2.67 67.8	1.34 34.0	2.46 62.5	2.31 58.7	0.125 3.2	2.67 67.8	2.93 74.5	3.34 84.8
4"	inches mm	CBM	4.12 104.7	1.34 34.0	3.9 98.7	2.35 59.7	0.236 6.0	4.12 104.7	4.65 118	5.23 132.8



LIQUID FILLED GAUGES

# Model 1555 Series 1-1/2", 2", 2-1/2", and 4" Gauges with Brass Internals and SST Case

Spec Number Selection Chart							
Model Number	1555					1558	
Gauge Size	2"	2-1/2"	2-1/2"	4"	4"	2-1/2"	4"
Connection Size	1/4" NPT	1/4" NPT	1/4" NPT	1/4" NPT	1/2" NPT	1/4" NPT	1/4" NPT
Connection Type	LM	LM	LM	LM	LM	CBM	
Mounting Type	Stem Mount	Stem Mount	Stem Mount	Stem Mount	Stem Mount	Front Flange Panel Mount	
Dial Scale	PSI/BAR/kPA	PSI/BAR/kPA	kPA Outer and PSI Inner	kPA Outer and PSI Inner	kPA Outer and PSI Inner	PSI/BAR/kPA	kPA Outer and PSI Inner
Fill Fluid Type <sup>1</sup>	See Note					See Note	
Pressure Ranges	Spec No.	Spec No.	Spec No.	Spec No.	Spec No.*	Spec No.	Spec No.
0-30" Hg VAC	-	171722A	167179	171967A	-	172317A*	171985A
30"-0-15 psi	-	171723A	-	-	-	172318A*	171986A*
30"-0-30 psi	-	171724A	167180	171969A	-	172319A	171987A
30"-0-60 psi	-	171725A	-	171970A*	-	172320A*	171988A*
30"-0-100 psi	-	171726A	167181	171971A	-	172321A	171989A
30"-0-150 psi	-	171727A	167182*	-	-	172322A	-
0-15 psi	-	171728A	167183	171972A	-	172323A	171990A
0-30 psi	165282	165296	167184	171973A	173183A*	172324A	171991A*
0-60 psi	165283	165297	167185	171974A	173184A*	172325A	171992A
0-100 psi	165284	165298	167186	171975A	173185A*	172326A	171993A
0-160 psi	165285	165299	167187	171976A	173186A*	172327A	171994A
0-200 psi	-	171729A	167188	171977A	-	172328A*	171995A
0-300 psi	165286	165300	167189	171978A	-	172329A	171996A
0-400 psi	-	171730A	167190*	-	-	172330A	-
0-600 psi	165287	165301	167192	171979A	-	172331A*	171997A*
0-1000 psi	165288	165302	167193	171980A	173187A*	172332A	171998A
0-1500 psi	-	171731A	167194*	171981A	173188A*	172333A*	171999A*
0-2000 psi	-	165377	167195*	171982A	173189A*	172334A*	172000A*
0-3000 psi	-	165378	167196	171983A	173190A*	172335A	172001A
0-4000 psi	-	-	167197*	-	-	-	-
0-5000 psi	-	171732A	-	-	173191A*	172336A	-
0-6000 psi	-	-	167199*	171984A	-	-	172002A*
0-10000 psi	-	-	167200*	-	-	-	-

<sup>1</sup> For factory liquid filling, add LG for Glycerin and LS for Silicone as suffix. Contact USG Sales at +1 215-674-1234 for other case fill options.

\* Due to low volumes these parts may not be in inventory at AMETEK Distribution Center.



LIQUID FILLED GAUGES

# Model 1555 Series 1-1/2", 2", 2-1/2", and 4" Gauges with Brass Internals and SST Case

Spec Number Selection Chart				
Model Number	1559 – Center Back Mount			
Gauge Size	1-1/2"	2"	2-1/2"	2-1/2"
Connection Size	1/8" NPT	1/4" NPT	1/4" NPT	1/4" NPT
Connection Type	CBM	CBM	CBM	CBM
Mounting Type	Stem Mount	Stem Mount	Stem Mount	Stem Mount
Dial Scale	PSI/BAR/kPA	PSI/BAR/kPA	PSI/BAR/kPA	PSI and kPA
Fill Fluid Type <sup>1</sup>	See Note			
Pressure Ranges	Spec No.	Spec No.	Spec No.	Spec No.
0-30" Hg VAC	-	-	171733A	-
30"-0-15 psi	-	-	171734A*	-
30"-0-30 psi	-	-	171735A	-
30"-0-60 psi	-	-	171736A*	-
30"-0-100 psi	-	-	171737A	-
30"-0-150 psi	-	-	171738A	-
0-15 psi	-	-	171739A	-
0-30 psi	166664	165289	165303	167201*
0-60 psi	166665	165290	165304	167202*
0-100 psi	166666	165291	165305	167203*
0-160 psi	166667	165292	165306	167204*
0-200 psi	-	-	171740A	167205*
0-300 psi	166668*	165293	165307	167206*
0-400 psi	-	-	171741A	-
0-600 psi	-	165294*	165308	167207
0-1000 psi	166669	165295	165309	167208*
0-1500 psi	-	-	171742A	-
0-2000 psi	-	-	165380	167209
0-3000 psi	-	-	165381	167210*
0-4000 psi	-	-	-	167211
0-5000 psi	-	-	-	167212*

<sup>1</sup> For factory liquid filling, add LG for Glycerin and LS for Silicone as suffix. Contact USG Sales at +1 215-674-1234 for other case fill options.

\* Due to low volumes these parts may not be in inventory at AMETEK Distribution Center.