

### GENERAL

FLUID	: Air or neutral gas, filtered, lubricated or not
PRESSURE	: 2 to 10 bar (190 pilot) 2 to 12 bar (192 pilot)
AMBIENT TEMPERATURE	: -10°C to +60°C
FLUID TEMPERATURE	: -10°C to +60°C
FLOW (Qv at 6 bar)	: see table below
PILOT PRESSURE	: In external supply, the pressure of the pilot fluid <b>must be at least</b> equal to the fluid pressure

### CONSTRUCTION

Body in light alloy  
Internal parts in steel and light alloy  
Sealing in nitrile (NBR)  
Subbases in light alloy



### ELECTRICAL CHARACTERISTICS OF PILOTS

Type of sol. valve		Voltages	Consumption		Insulation class	Protection degree	Electrical connection
			Inrush	Hold			
Series 190	~	24V - 48V - 115V - 230V / 50 Hz	9VA	4VA (3W)	F	IP 65	spade plug size 30 connector, ISO4400/EN175301-803, form A, rotatable by 90°
	=	24V - 48V	3 W				
Series 192	~	24V - 48V - 115V - 230V / 50 Hz	12VA	6VA(4W)	F	IP 65	
	=	24V - 48V	5 W				

The solenoid valve 190 is dual voltage (24V ~, 12V =) (48V ~, 24V =) (115V ~, 48V =) (230V ~, 115V =).

### SPECIFICATIONS

Pipe size	Orifice size (mm)	Flow		Fluid pressure <sup>(1)</sup> (bar)		2 catalogue numbers		(M)	References
		at 6 bar l/min (ANR)	coeff. KV	mini	maxi	VALVE	PILOT with standard connector		
G 1/2	14	3000	42	2	10/12	<b>26690017</b>	<b>19000005</b> <b>19000006</b> <b>19000017</b>  <b>19201001</b> <b>19201002</b> <b>19201003</b>	× ● ▼  × ● ▼	G/DP 403
G 1	22	9100	130	2	10/12	<b>26790013*</b>			GDM/DP 405
G 1 1/2	40	31500	450	2	10/12	<b>26890297*</b>			GDM/DP 407

(M) Type of manual operator on pilot(s): × : without ● : maintained ▼ : impulse

(1) 10 bar (with pilot 190) - 12 bar (with pilot 192)

\* This equipment is always supplied with an intermediate amplifier for valves 3/2 - Ø 8 mm, series 261 (cat no. **26190067**)

### SUBBASES

For a valve with mounting face	CHARACTERISTICS			catalogue number	References
	Subbase type	Pipe size	Connection type		
CNOMO 06.05.72/73	SINGLE	G 1/2	Side ports	<b>35700018</b>	P/DP 403
AFNOR E49062/63	JOINABLE			<b>35700038</b>	PJ/DP 403
CNOMO 06.05.74	SINGLE	G 1	Side ports	<b>35700020</b>	P/DP 405
AFNOR E49064	JOINABLE			<b>35700040</b>	PJ/DP 405
CNOMO 06.05.75	SINGLE	G 1 1/2	Bottom ports	<b>35700032</b>	P/DP 407

**OPTIONS** : See overleaf

**OPTIONS**

- Other voltages or frequency 60 Hz, on request
- 190 series solenoid pilot valve with solenoid head for dusty explosive atmospheres (SG), zone 22
- Solenoid valve, intrinsically safe (contact us)
- Connector with cable outlet, 2 m: cat no. **88122612**
- Solenoid valve with connector and built-in visual indicator and protection

**ORDERING**

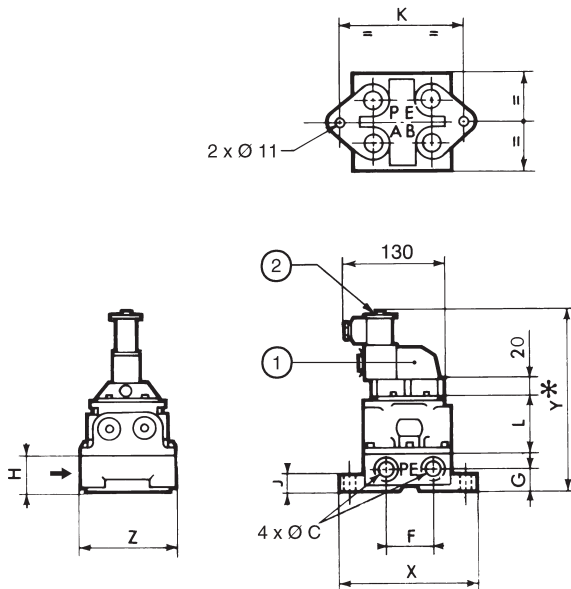
The valve, solenoid pilot and subbase must be ordered separately and the quantity and code of each component must be indicated. These items are delivered disassembled.

**DIMENSIONS AND WEIGHTS OF SUBBASE MOUNTED POPPET VALVES**

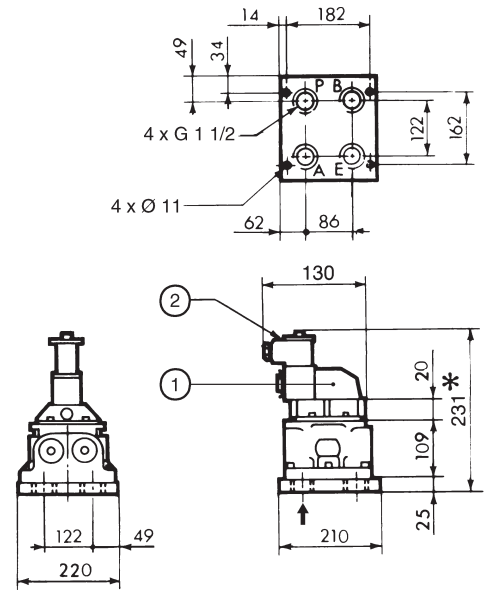
VALVE ON SINGLE SUBBASES

G 1/2 - G 1 (series 266 - 267)

series	266	267
Ø C	G 1/2	G 1
F	57	82
G	26	35
H	45	63
J	20	20
K	133	170
L	63	78
X	162	198
Y	205	238
Z	111	130
Weights (kg)	2,5	4,3

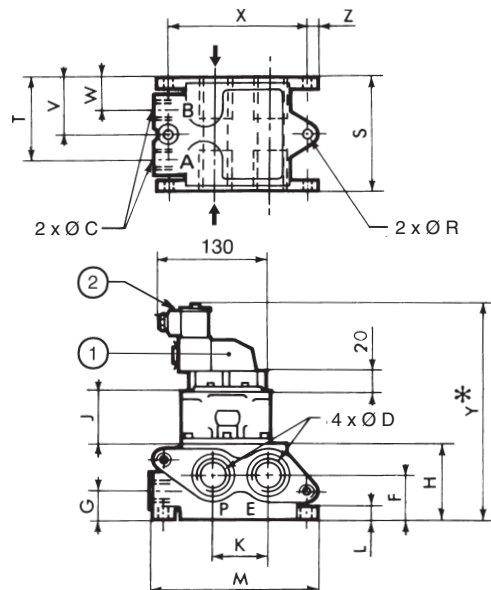


G 1 1/2 (series 268)  
Weight : 8,160 kg



VALVE ON JOINABLE SUBBASES (Series 266 - 267)

series	266	267
Ø C	G 1/2	G 1
Ø D	G 3/4	G 1 1/4
F	36	56
G	25	37
H	65	95
J	63	78
K	49	66
L	14	20
M	152	203
R	11	14
S	114	149
T	85	108
V	57	77
W	29	46
X	130	172
Y	225	270
Z	11	14
Weights (kg)	3	5,9



- ① Pilot 190 or 192
- ② Connector rotatable by 90°
- \* + 15 mm for connector clearance