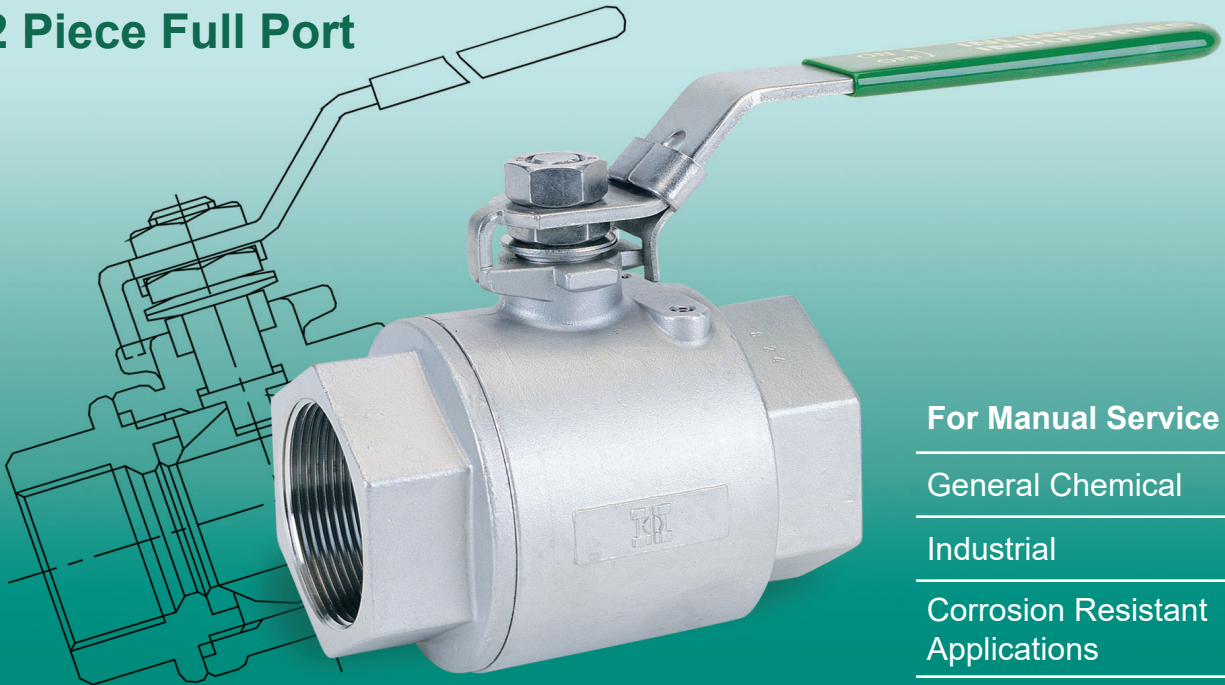


201F Ball Valve

2 Piece Full Port



For Manual Service

General Chemical

Industrial

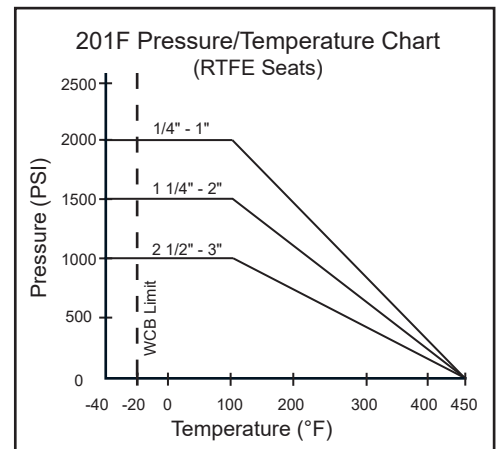
Corrosion Resistant
Applications

Standard Features and Benefits

- **2-Piece Full Port Design**
Full port construction improves flow characteristics for greater process efficiencies
- **Blow-Out-Proof Stem**
Stem is bottom loaded to prevent removal during operation
- **High-Cycle, Live-Loaded Stem Packing**
Provides constant load on stem seal and extends service life
- **Locking Device**
Enables plant personnel to secure valve in open or closed position when manually operated
- **Corrosion Resistant**
Made of 316 stainless steel (A351 Gr. CF8M) for superior chemical resistance and longer service life
- **Investment Cast**
Improves dimensional control and reduces porosity
- **Anti-Static Device**
- **Castings to NACE MR0175/ISO 15156**

Options

- Oval Handle
- Reverse Handle
- Material Test Reports Available Upon Request

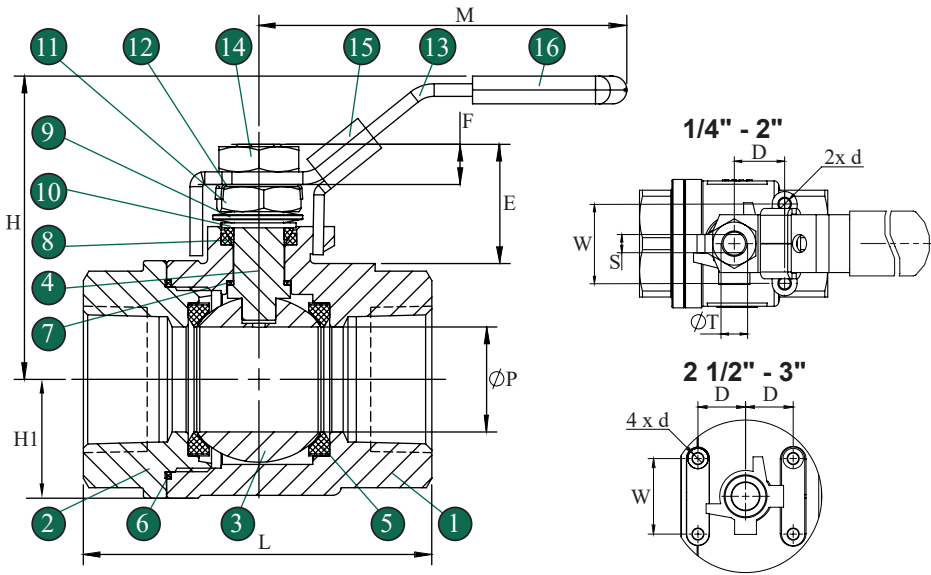


Operating Conditions

- Temperature Range (RTFE):
-40°F ~ 450°F
- Maximum Pressure (RTFE):
2000 PSI WOG (1/4" - 1")
1500 PSI WOG (1 1/4" - 2")
1000 PSI WOG (2 1/2" - 3")

Specifications

- All valves designed and pressure tested in accordance with ANSI/ASME B16.34, API 598 and MSS-SP-110
- NPT to ASME B1.20.1



Valve Components			
No.	Part Name	Material	Qty
1	Body	CF8M	1
2	End Cap	CF8M	1
3	Ball	316 SS	1
4	Stem	316 SS	1
5	Seat	RTFE (15% C.F.)	2
6	Body Seal	PTFE	1
7	Thrust Washer	RTFE (15% C.F.)	1
8	Stem Packing Set	PTFE	1
9	Belleville Washer	301 SS	2
10	Packing Gland	304 SS	2
11	Gland Nut	304 SS	1
12	Gland Nut Lock Washer	304 SS	1
13	Handle	304 SS	1
14	Handle Nut	304 SS	1
15	Handle Lock	304 SS	1
16	Handle Cover	Vinyl	1

Dimensions (Inches)														
Size	L	P	M	H	H1	E	F	S	T	W	D	d	Cv	Weight (lbs)
1/4"	2.10	0.50	4.4	2.1	0.7	0.83	0.31	0.20	0.31	1.12	0.50	M5	5.3	0.8
3/8"	2.10	0.50	4.4	2.1	0.7	0.83	0.31	0.20	0.31	1.12	0.50	M5	11.4	0.8
1/2"	2.35	0.59	4.4	2.1	0.7	0.83	0.32	0.20	0.31	1.12	0.50	M5	16.3	1.0
3/4"	2.92	0.79	5.2	2.5	1.0	0.90	0.31	0.26	0.38	1.38	0.87	M5	30.3	1.8
1"	3.27	0.98	5.7	2.8	1.1	1.12	0.38	0.31	0.46	1.38	0.87	M5	48.4	2.7
1 1/4"	3.82	1.25	5.7	3.1	1.3	1.12	0.32	0.31	0.46	1.50	0.94	M5	72.5	3.6
1 1/2"	4.30	1.50	7.5	3.9	1.6	1.41	0.41	0.38	0.54	1.50	0.94	M6	115.0	5.7
2"	5.05	2.00	7.5	4.2	1.9	1.38	0.46	0.38	0.54	1.50	0.94	M6	190.0	9.0
2 1/2"	6.65	2.56	12.2	5.7	2.4	1.98	0.71	0.47	0.77	2.19	1.38	M8	335.0	18.7
3"	7.62	3.15	12.2	6.1	2.8	1.94	0.72	0.47	0.77	2.19	1.38	M8	544.0	26.9

Cv value represents flow data to ISA 75.01.01 - 2007

201F Ordering Information

Example: 2" Full Port Ball Valve with Lever Handle and Locking Device, 316 SS Body and Trim, RTFE (15% C.F.) Seats and PTFE Seals, NPT Ends

201F	D	6	6	6	6	C	T	TT	2	S	
Valve Series	Valve Size	Body Material	End Material	Ball Material	Stem Material	Seat	Seal	End Connection	Port	Ball Configuration	
201F - Full Port	2	1/4"	6 - A351 Gr.	6 - A351 Gr.	6 - 316 SS	6 - 316 SS	C - RTFE (15% C.F.) M - TFM	T - PTFE F - 50% 316 SS Filled PTFE M - TFM	T - NPT	2 - 2 Way	S - Straight Port
	3	3/8"	CF8M (316)	CF8M (316)							
	5	1/2"	2 - A216 Gr.	2 - A216 Gr.							
	7	3/4"	WCB	WCB							
	A	1"									
	B	1 1/4"									
	C	1 1/2"									
D	2"										
E	2 1/2"										
F	3"										

Due to continuous product development, information may change without notice.



INLINE INDUSTRIES, INC.

9056 Garvey Avenue

Rosemead, CA 91770

Tel: (800) 568-8998

(626) 813-6188

Fax: (626) 813-6186

www.ballvalve.com

info@ballvalve.com

Distributed by: