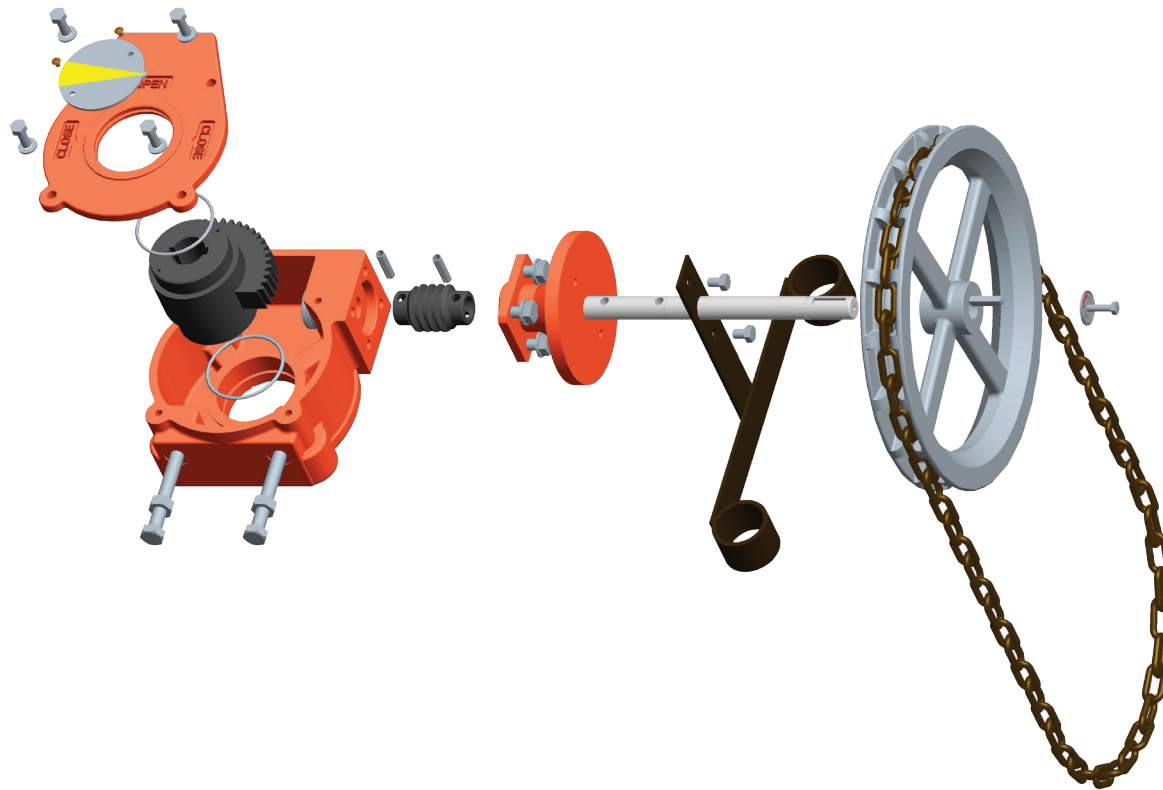


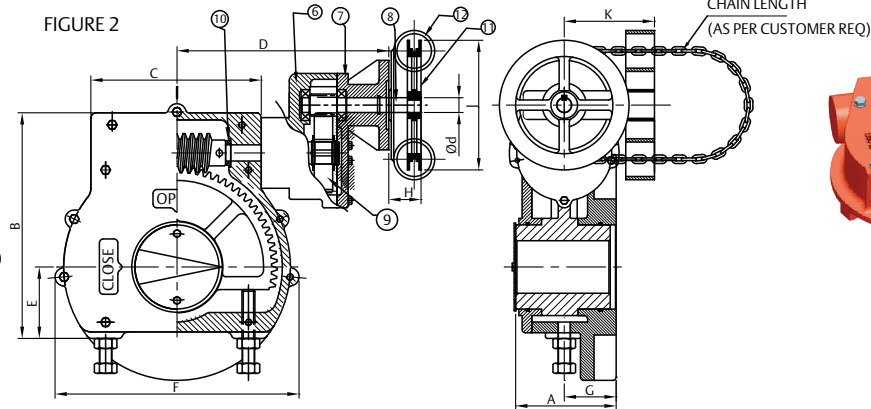
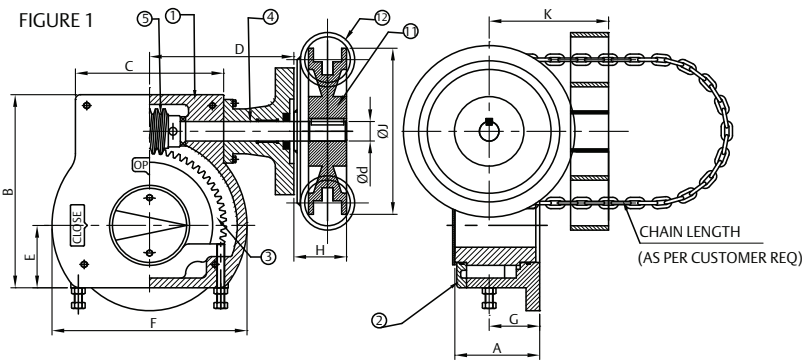
Bettis CW-Series

Quarter-turn Worm Gear Operators for Chainwheel Operation



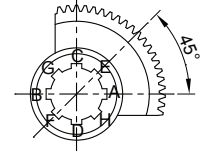
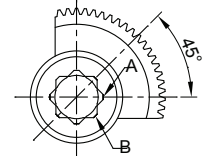
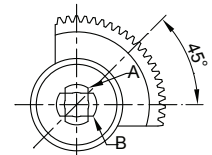
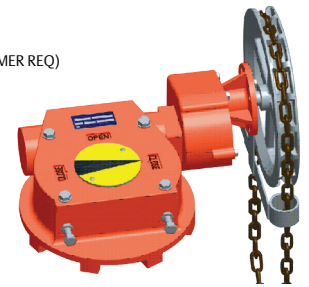
Performance Specifications CW-Series

Quarter-turn Worm Gear Operators for Chainwheel Operation



Note:
Refer to Figure (1) for Models up to "AT-90-CW"
Refer to Figure (2) for Models above "AT-90-CW"

Model	Rated Output Torque (lb-in)	Mech. Advantage ±10%	Ratio	Turns To Close	ISO 5211 Mounting	Max. Drive Bore	Approx. Unit Weight (lbs)	Ød	A	B	C	D	E	F	G	H	J	K
AT 20-CW	2212.69	8	33:1	8.25	F05, F07	0.79	7.05	Ø0.71	2.22	4.33	3.23	3.62	1.42	3.54	1.02	1.57	6"	4.41
AT 25-CW	4425.37	10	40:1	10	F07, F10	1.18	12.13	Ø0.71	2.72	5.35	3.86	4.13	2.13	4.25	1.38	1.91	9"	5.12
AT 30-CW	6195.52	10	40:1	10	F10, F12	1.26	15.43	Ø0.79	3.15	5.63	3.74	4.41	1.77	5.04	1.54	2.01	12"	6.30
AT 40-CW	8850.75	11	44:1	11	F10, F12, F14	1.77	23.15	Ø0.79	3.66	6.93	4.57	4.72	2.76	5.51	1.85	2.01	12"	6.30
AT 50-CW	13276.12	12.5	48:1	12	F10, F12, F14, F16	1.97	26.90	Ø0.79	3.46	7.80	5.43	5.47	3.19	6.61	1.77	2.01	15"	6.30
AT 60-CW	17701.49	14	60:1	15	F10, F12, F14, F16	1.97	33.07	Ø0.79	3.62	8.43	6.14	5.31	3.35	6.93	1.81	2.01	15"	6.30
AT 70-CW	30977.61	18.25	73:1	18.25	F14, F16	3.15	83.78	Ø0.98	4.65	10.43	10.55	6.50	3.35	9.84	2.44	2.17	20"	7.68
					F25		88.18							11.81				
AT 80-CW	24782.09	20	80:1	20	F12, F14, F16	2.36	71.65	Ø0.98	4.80	9.65	8.15	6.61	3.29	9.61	2.52	2.17	20"	7.68
					F25	3.15	78.26							11.81				
AT 90-CW	35402.98	22.5	90:1	22.5	F16, F25	3.54	133.38	Ø0.98	5.24	12.01	10.55	7.76	3.94	13.46	3.07	2.24	24"	9.84
AT 80/1/S1-CW	39828.36	58	264:1	66	F12, F14, F16	2.36	88.18	Ø0.98	4.82	9.65	9.13	11.02	3.31	9.61	2.52	2.17	20"	7.68
					F25	3.15	94.80		4.70					11.81				
AT 70/3/S1-CW	53104.47	65	292:1	73	F14, F16	3.15	102.51	Ø0.98	4.45	10.55	8.11	10.94	3.35	11.81	2.44	2.17	20"	7.68
					F25		108.03											
AT 90/1/S1-CW	70805.97	70	300:1	75	F16, F25	3.54	158.73	Ø0.98	5.24	12.01	10.55	12.20	3.94	13.39	3.07	2.24	24"	9.84
AT 100/1/S1-CW	88507.46	70	300:1	75	F25, F30	3.94	180.78	Ø0.98	5.94	13.70	10.35	12.09	4.33	14.84	2.99	2.24	24"	9.84
AT 150/1/S2-CW	132761.19	100	450:1	112.5	F25, F30	3.94	202.83	Ø0.98	5.94	13.70	10.35	13.46	4.33	14.84	2.99	2.24	24"	9.84
AT 250/2/S2-CW	199141.78	120	456:1	114	F25, F30, F35	4.33	319.67	Ø0.98	6.18	16.69	13.15	14.96	5.24	18.46	3.46	2.24	24"	9.84
AT 300/1/S3-CW	247820.88	210	902:1	222.5	F25, F30, F35	5.91	341.72	Ø0.98	6.18	16.69	13.15	16.61	5.24	18.46	3.46	2.24	24"	9.84
AT 350/2/S3-CW	265522.37	253	1114:1	278.5	F25, F30, F35	5.91	363.76	Ø0.98	6.18	16.69	13.15	16.61	5.24	18.46	3.46	2.24	24"	9.84
AT 450/2/S3-CW	354029.83	270	1175:1	293.75	F30, F35, F40	5.91	643.75	Ø0.98	7.87	23.94	16.73	18.35	6.38	23.31	3.94	2.24	24"	9.84
AT 500/1/S3-CW	442537.29	287	1261:1	315.25	F30, F35, F40	5.91	837.76	Ø0.98	7.99	25.59	23.43	21.65	7.83	27.80	4.09	2.24	24"	9.84
AT 600/1/S3.5-CW	531044.75	340	1545:1	386.25	F30, F35, F40	5.91	936.96	Ø0.98	7.99	25.59	23.43	24.09	7.83	27.80	4.06	2.24	24"	9.84
AT 750/1/S4-CW	663805.93	400	1826:1	456.5	F40, F48	7.87	992.08	Ø0.98	7.99	25.59	23.43	25.47	7.83	27.80	4.06	2.24	24"	9.84
AT 1000/1/S4-CW	885074.58	600	2635:1	658.75	F40, F48	7.87	1014.13	Ø0.98	7.99	25.59	23.43	25.47	7.83	27.80	4.06	2.24	24"	9.84



VIEW FROM TOP AT CLOSE POSITION



SR.	Description	Material	US Standard	IS Standard
1	Housing	Ductile Iron	ASTM A536 60-40-18	SG 400/12
2	Top Cover	Ductile Iron	ASTM A536 60-40-18	SG 400/12
3	Worm Wheel	Ductile Iron	ASTM A70-50 05	SGI 500/7
4	Input Shaft	Carbon Steel	ASTM A576 1045	45C8
5	Worm	Carbon Steel	ASTM A576 1045	45C8
6	Spur Housing	Ductile Iron	ASTM A536 60-40-18	SG 400/12
7	Spur Cover	Ductile Iron	ASTM A536 60-40-18	SG 400/12
8	Spur Pinion	Carbon Steel	ASTM A322 4140	40Cr4Mo3
9	Spur Gear	Carbon Steel	ASTM A322 4140	40Cr4Mo3
10	Thrust Bearing	Special Steel	ASTM a295 52100	-
11	Chain Wheel	Ductile Iron	ASTM A536 60-40-18	SG 400/12
12	Chain Guard	Alloy Steel	-	IS 2062
13	'O' Ring	NBR (Buna-N)	NBR (Buna-N)	Nitrile

World Area Configuration Centers (WACC) offer sales support, service, inventory and commissioning to our global customers. Choose the WACC or sales office nearest you:

NORTH & SOUTH AMERICA

19200 Northwest Freeway
Houston, TX 77065
T +1 281 477 4100
F +1 281 477 2809

Av. Hollingsworth,
325, Iporanga Sorocaba,
SP 18087-105
Brazil
T +55 15 3238 3788
F +55 15 3228 3300

ASIA PACIFIC

No. 9 Gul Road
#01-02 Singapore 629361
T +65 6777 8211
F +65 6268 0028

No.1 Lai Yuan Road
Wuqing Development Area
Tianjin 301700
P.R.China
T +86 22 8212 3300
F +86 22 8212 3308

MIDDLE EAST & AFRICA

P. O. Box 17033
Dubai
United Arab Emirates
T +971 4 811 8100
F +971 4 886 5465

P. O. Box 10305
Jubail 31961
Saudi Arabia
T +966 3 340 8650
F +966 3 340 8790

24 Angus Crescent
Longmeadow Business Estate
East P.O. Box 6908; Greenstone; 1616
Modderfontein, Extension 5
South Africa
T +27 11 451 3700
F +27 11 451 3800

EUROPE

Berenyi u. 72- 100
Videoton Industry Park,
Building #230
Székesfehérvár 8000
Hungary
T +36 22 530 950
F +36 22 543 700

For complete list of sales and manufacturing sites, please visit
www.emerson.com/actuationtechnologieslocations
Or contact us at gears@emerson.com

www.emerson.com/bettis

©2017 Emerson. All rights reserved.

The Emerson logo is a trademark and service mark of Emerson Electric Co. Bettis™ is a mark of one of the Emerson family of companies. All other marks are property of their respective owners.

The contents of this publication are presented for information purposes only, and while every effort has been made to ensure their accuracy, they are not to be construed as warranties or guarantees, express or implied, regarding the products or services described herein or their use or applicability. All sales are governed by our terms and conditions, which are available on request. We reserve the right to modify or improve the designs or specifications of our products at any time without notice.