



CustomControlSensors

Hazardous Areas Adjustable Pressure Switch

672DE* - Diaphragm Sensor



DESCRIPTION

- Highly reliable devices utilizing the CCS Dual-Snap® Belleville disc spring principle pioneered by CCS' engineers .
 - Engineering based on aerospace technology.
 - Rigid, midsize and internally adjustable for convenient field set point adjustment.
 - Repeatable and stable set points.
 - Vibration and shock resistant.
 - High cycle life.
 - High over-pressure capability. (System and Proof)
- Certified explosion proof hermetically sealed electrical assembly for environmental protection.
 - Various options for wetted materials and electrical ratings to meet a wide range of application requirements and media compatibility.

SHIPPING WEIGHT: APPROXIMATELY 67 OUNCES (1899 GRAMS)

SERIES:

672DE*

ADJUSTABLE SET POINT RANGE:

DIFFERENTIAL PRESSURE:

2 to 150 PSID

0.14 to 10.3 bar

13.79 to 1034 kPa

OPERATING TEMPERATURE:

Temperature limits change with o-ring selection.

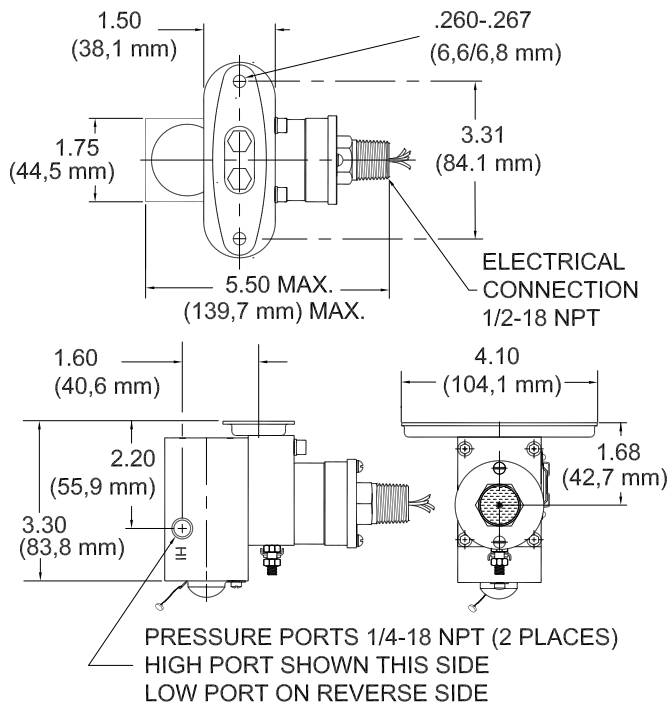
-40° to 186°F

-40° to 86°C

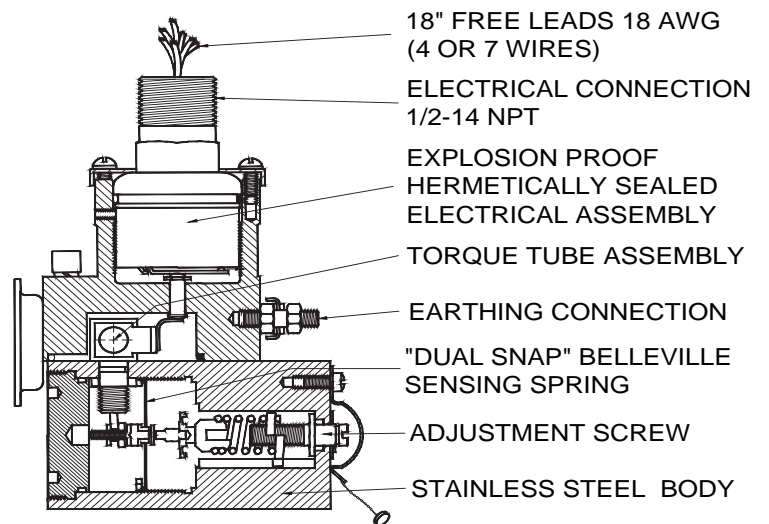
STANDARD FEATURES:

- CE Mark
- CCC
- CRN
- CSA / U.L. Listed
- NACE MR0125 (Y Option) / ISO 15156
- NEMA: 4, 4X, 7, 9, 13 / IP67
- Hermetically Sealed Electrical Assembly
- 316 SST Electrical Assembly

INSTALLATION DRAWING



DESIGN PRINCIPLES



SERIES 672 DE

FIELD SETTING: Loosen access cover. Adjust screwdriver adjustment slot. Clockwise to decrease settings. Counterclockwise to increase settings.

NOTE: DO NOT USE ELECTRICAL HEX FOR TORQUING.





CustomControlSensors

Hazardous Areas Adjustable Pressure Switch

672DE* - Diaphragm Sensor

OPERATING AND ORDERING DATA

SERIES 672DE*	WETTED PARTS: 1/4"-18 NPT 316 STAINLESS STEEL PRESSURE PORT & DIAPHRAGM, VITON O-RING						
	ADJUSTABLE SET POINT RANGE		APPROX. DEAD BAND PSI (BAR)	MAX SYSTEM PRESSURE PSIG (BAR)	PROOF PRESSURE PSIG (BAR)		
	INCREASING PRESSURE PSID (BAR)	DECREASING PRESSURE PSID (BAR)			BOTH PORTS SIMULT.	HIGH OVER LOW LOW OVER HIGH	
			HIGH	LOW			
672DE*1	7-65 (0.48-4.48)	2-60 (0.14-4.14)	5 (0.345)	3000 (207)	4500 (310)	2000 (138)	1000 (68.9)
672DEM*1	9-65 (0.62-4.48)	2-60 (0.14-4.14)	6 (0.41)				
672DE*4	60-150 (4.1-10.3)	40-130 (2.8-9.0)	20 (1.38)				

HOW TO ORDER

Follow these steps to build your part number:

1. Specify the series based on your required set point, range, dead band, system pressure and proof pressure.
2. Add desired options model code letter.
3. Add the applicable standard suffix number.

(Ex: 672DEM1-7076)

PRESSURE CONVERSION

1 BAR = 14.5 PSI
1 kPa = 0.145 PSI

OPTIONAL STANDARD MODIFIED SUFFIXES

- 7008:** Gold Contacts
- 7054:** 2 Meter Free Leads
- 7076:** 18 inch Teflon Free Leads (Low Temp Wire)

OPTIONS MODEL CODES

- F:** Ethylene Propylene O-Ring
- M:** DPDT Electrical
- Y:** ATEX / GOST Certified Electrical Assembly (Consult CCS Sales Department for GOST options and requirements.)

Note: Additional modified standard suffixes are available, consult CCS sales department or CCS Representative.

CERTIFICATIONS

Consult CCS website for complete certification and approval listing.

ELECTRICAL ENCLOSURE CERTIFICATIONS

* c-UL, U.L./CSA Explosion Proof: Div. 1, 2 hermetically sealed electrical assembly P/N 46-1058 (46-1061 for M model option), listed by both Underwriter's Laboratories, Inc. (File No. E32961) and Canadian Standard Association (CSA) Testing Laboratories (File No. LR22921) for hazardous locations, Class 1, Groups A, B, C, and D; Class 2 Groups E, F, and G. ATEX - Baseefa certified for potentially explosive atmospheres. Certificate 04ATEX0114X. IECEx - SIRA certified, Sira 08ATEX1046X. (Option Y)

PRESSURE SWITCH CERTIFICATIONS

* ATEX - Certificate No. Baseefa 03ATEX0700X. Baseefa certified equipment or protective system intended for potentially explosive atmospheres Directive 94/9/EC. In compliance with EN60079-0:2012, EN 60079-1:2007, EN 60079-31:2009.

ELECTRICAL CHARACTERISTICS

RATING OF SWITCH ELEMENT

VOLTS	AMPERES	
	SPDT Res.	DPDT "M" Res.
125 AC - 50/60 Hz	11	11
250 AC - 50/60 Hz	11	11
30 DC	5	5
125 DC	.5	.5
*125 AC - 50/60 Hz	1 max	1 max
*30 DC	1 max	1 max

*Gold Contacts -7008 Suffix

SCHEMATIC AND WIRING CODE

