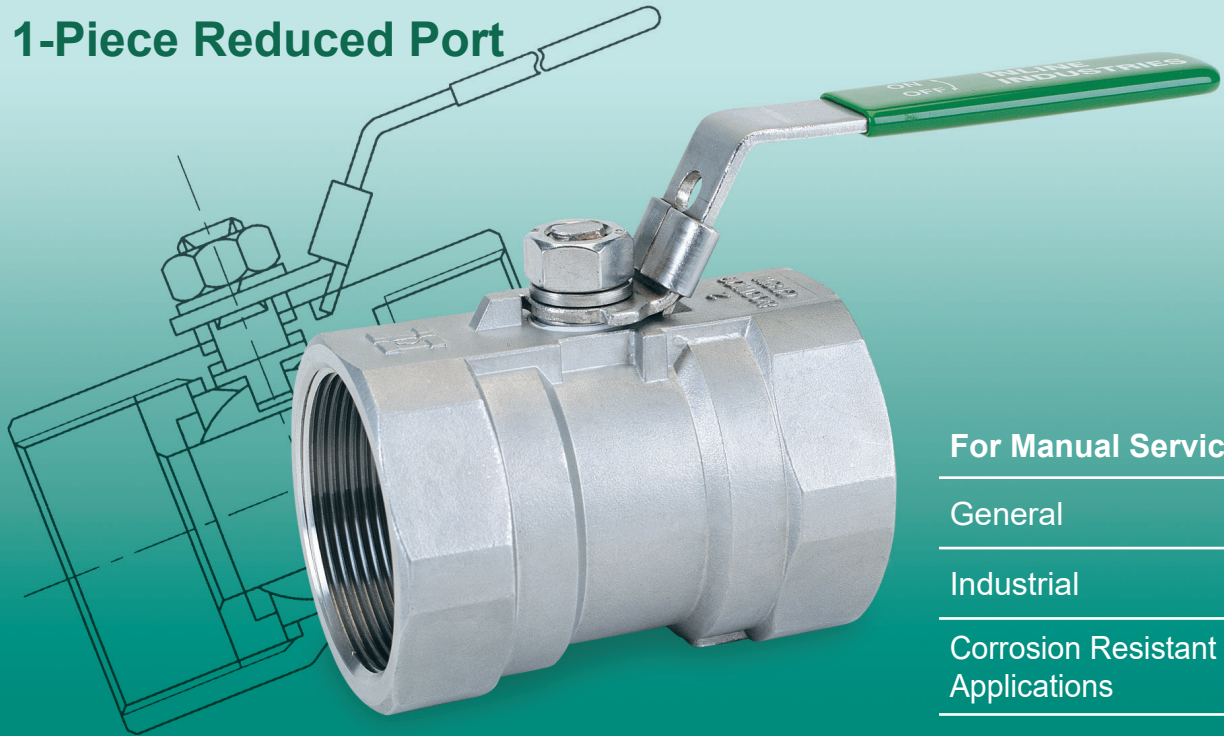


101R Ball Valve

1-Piece Reduced Port



For Manual Service

General

Industrial

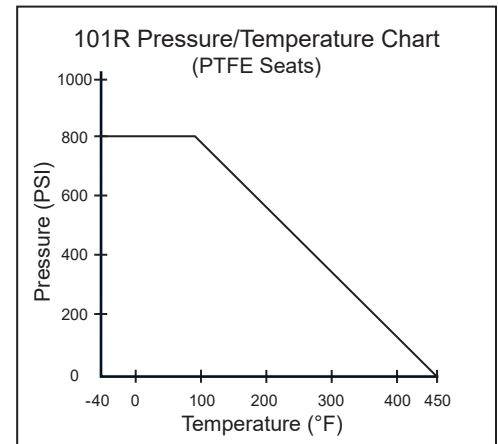
Corrosion Resistant
Applications

Standard Features and Benefits

- **Economical 1-Piece Design**
- **Blow-Out-Proof Stem**
- **Made of Corrosion-Resistant 316 SS (A351Gr. CF8M)**
One valve can be used for many service conditions
- **Integral Locking Device**
Enables plant personnel to secure valve in open or closed position when manually operated
- **Investment Cast**
High quality investment castings improve dimensional control and reduce porosity

Options

- **Reverse Handle (2" Only)**
- **Material Test Reports Available Upon Request**



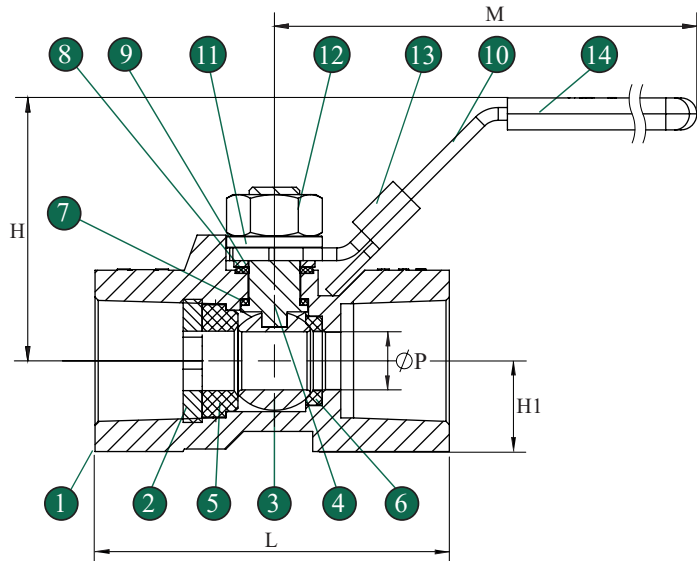
Operating Conditions

- **Temperature Range (PTFE):**
- 40°F ~ 450°F
- **Maximum Pressure (PTFE):**
800 PSI WOG

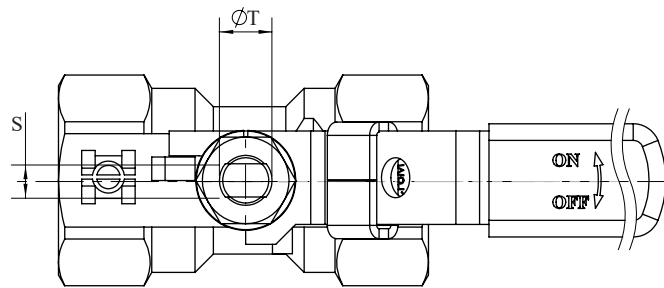
Specifications

- All valves shell and seat tested to ANSI/ASME B16.34, API 598 and MSS-SP-110
- All materials comply with applicable ASTM material specifications

Valve Components			
No.	Part Name	Material	Qty.
1	Body	CF8M	1
2	Insert	316 SS	1
3	Ball	316 SS	1
4	Stem	316 SS	1
5	Seat (Large)	PTFE	1
6	Seat (Small)	PTFE	1
7	Thrust Washer	RTFE (15% C.F.)	1
8	Stem Packing Set	PTFE	1
9	Packing Gland	304 SS	1
10	Handle	304 SS	1
11	Split Lock Washer	304 SS	1
12	Handle Nut	304 SS	1
13	Handle Lock	304 SS	1
14	Handle Cover	Vinyl	1



Dimensions (Inches)								
Size	L	P	M	H	H1	S	T	Weight (lbs)
1/4"	1.56	0.20	3.1	1.4	0.4	0.12	0.19	0.2
3/8"	1.75	0.27	3.1	1.5	0.5	0.16	0.23	0.2
1/2"	2.19	0.36	4.0	1.6	0.6	0.20	0.31	0.4
3/4"	2.32	0.49	4.0	1.7	0.7	0.20	0.31	0.5
1"	2.76	0.59	4.7	2.0	0.8	0.24	0.39	0.9
1 1/4"	3.05	0.79	4.7	2.2	1.0	0.24	0.39	1.4
1 1/2"	3.23	0.98	5.7	2.3	1.1	0.31	0.47	2.0
2"	3.90	1.25	5.7	2.6	1.4	0.31	0.47	3.3



101R Ordering Information

Example: 2" Reduced Port Ball Valve with Lever Handle and Locking Device, 316 SS Body and Trim, PTFE Seats and Seals, NPT Ends

Valve Series	Valve Size	Body Material	End Material	Ball Material	Stem Material	Seat	Seal	End Connection	Port	Ball Configuration
101R - Reduced Port	2 3 5 7 A B C D	6 - A351 Gr. CF8M (316)	6 - A351 Gr. CF8M (316)	6 - 316 SS	6 - 316 SS	T - PTFE	T - PTFE	T - NPT	2 - 2 Way	S - Straight Port

Due to continuous product development, information may change without notice.



INLINE INDUSTRIES, INC.

9056 Garvey Avenue
Rosemead, CA 91770

Tel: (800) 568-8998
(626) 813-6188

Fax: (626) 813-6186

www.ballvalve.com
info@ballvalve.com

Distributed by: