

FEATURES

- SENTRONIC^{LP} stands for:
 - Low power consumption (3,8 W)
 - Digital communication and control
 - Display (integrated) with function buttons (option)
 - Pilot operated proportional valve
- IO-Link CLASS A
- Other functions are valve diagnostics, parameter setting and maintenance.
- The valve's outlet pressure can also be adjusted over the integrated display and the function buttons.
- RoHS, REACH compliant.

GENERAL

Fluids	Air or neutral gas filtered, according to ISO 8573-1:2010 [7:4:4]
Max. allowable pressure (MAP)	At least 1 bar above the maximum outlet pressure
Pressure range	0-3 bar, 0-6 bar, 0-10 bar
Fluid temperature	0°C to +60°C
Ambient temperature	0°C to +50°C
Flow (Qv at 6 bar)	470 NI/min - 5200 NI/min
Setpoint	Digital setpoint in steps of 1 mbar 0-10000 = 0-10 bar
Hysteresis	1,5% of span
Linearity	1,5% of span
Repeatability	1,5% of span
Minimum setpoint	0.5% of span with shutoff function
Minimum outlet pressure	1% of span
Failsafe behaviour	Pressure hold on loss of power, without control

IO-LINK

Protocol Version	Specification V1.1
Baudrate	COM3 (230,4 kBaud)
Minimum cycle time	0,5 ms
Process data	2 Byte IN, 2 Byte OUT
Port type	Class A

CONSTRUCTION

Body	Aluminium
Internal parts	POM (polyacetal)
Seals	NBR (nitrile)

ELECTRICAL CHARACTERISTICS

nominal diameter DN	stabilised voltage *	max. power (W)	max. current (mA)	insulation class	degree of protection	electrical connection
4, 8, 15	24VDC	3,8 W (< 1 W compensate)	160	H	IP 65	5-pin M12 connector (to be ordered separately)

* Max. ripple: 10 %

SPECIFICATIONS

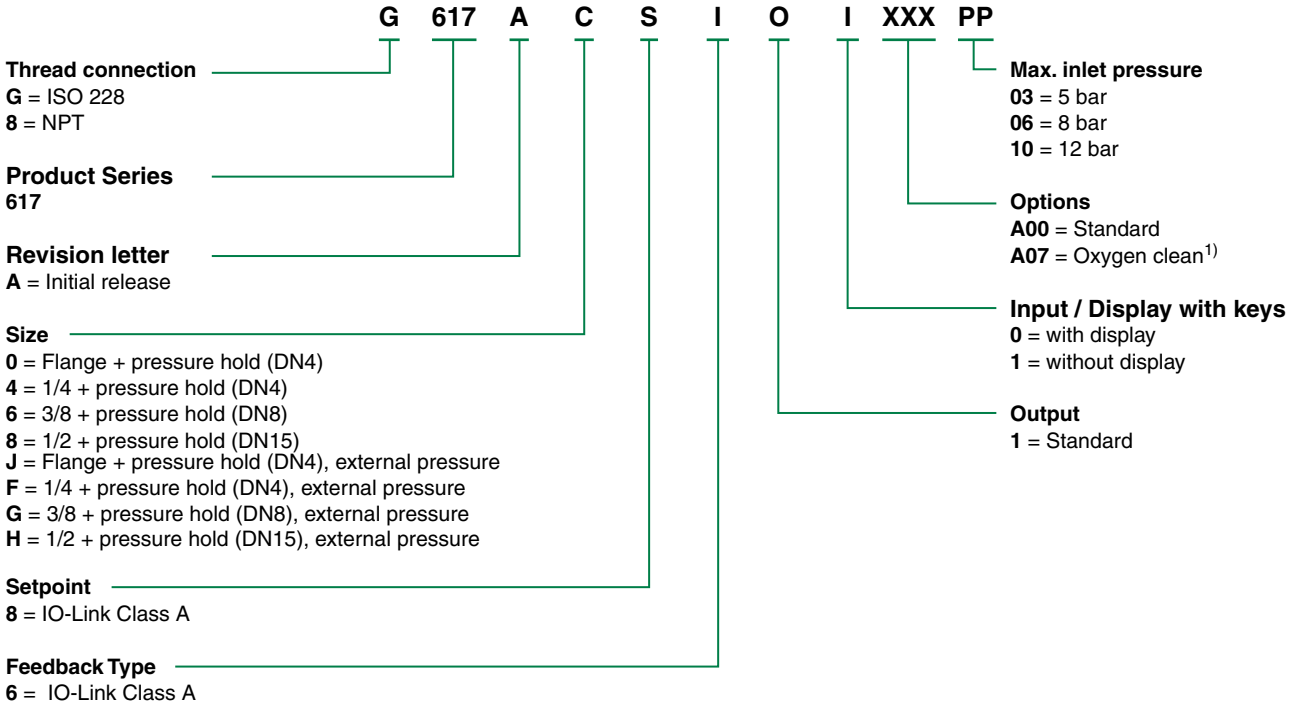
pipe size	orifice size (mm)	flow	
		coefficient Kv (Nm ³ /h)	at 6 bar (NI/min)
G/NPT 1/4	4	0,43	470
G/NPT 3/8	8	1,2	1300
G/NPT 1/2	15	4,8	5200

Test conditions according to ISO 8778: temperature: 20 °C, relative inlet pressure: 6 bar, relative outlet pressure: 5 bar



01600GE-2018/R01
Availability, design and specifications are subject to change without notice. All rights reserved.

CATALOGUE NUMBER



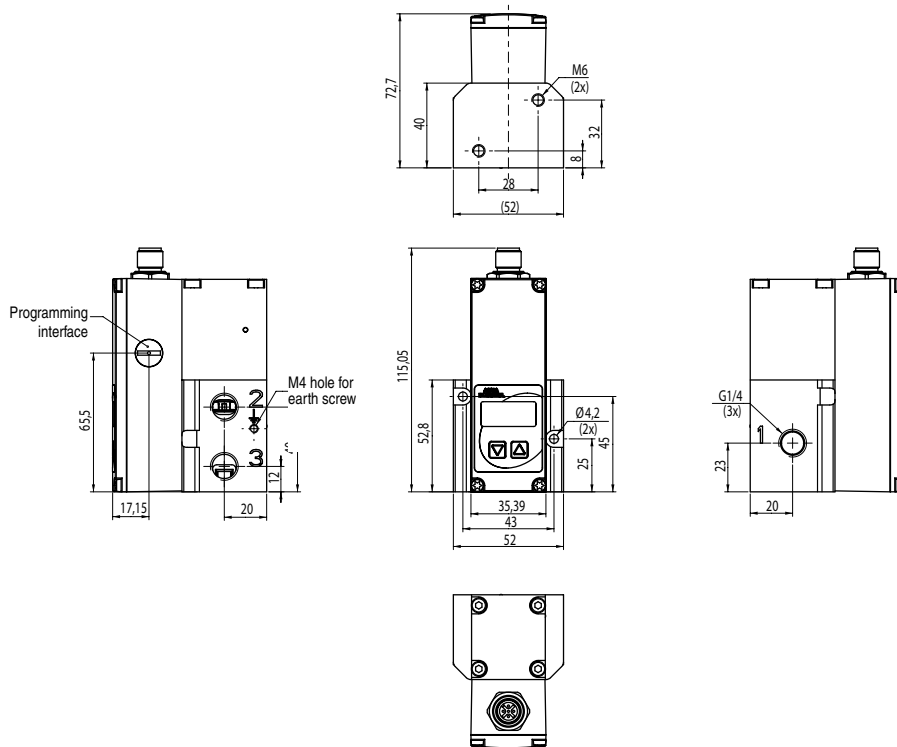
¹⁾ Only possible with size G1/4 (DN4)

DIMENSIONS (mm), WEIGHT (kg)

Inline version

DN 4

Weight: 0,49 kg

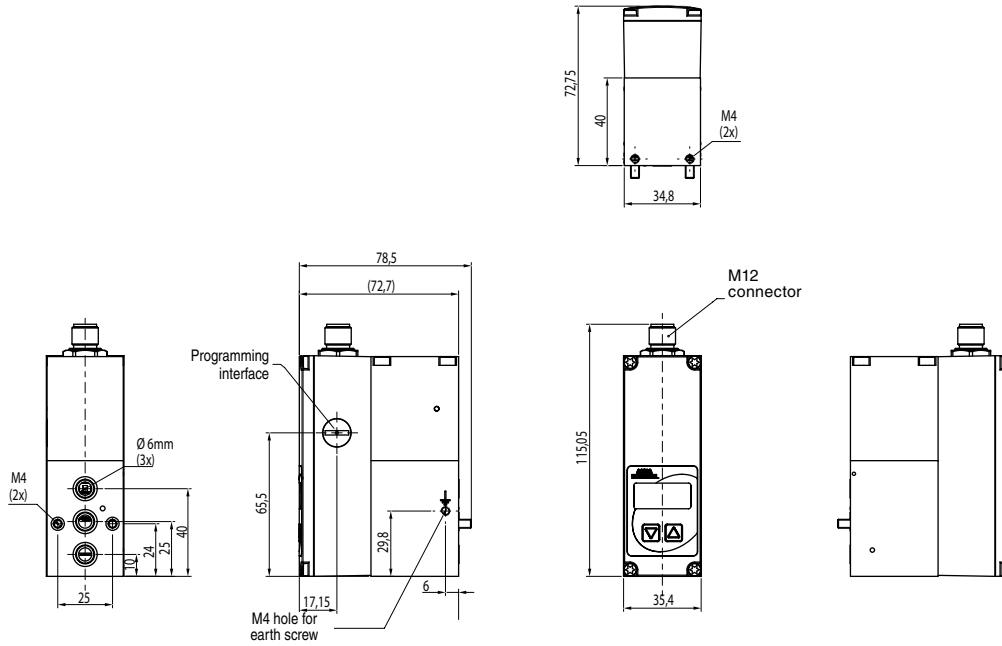


DIMENSIONS (mm), WEIGHT (kg)

Subbase version

DN 4

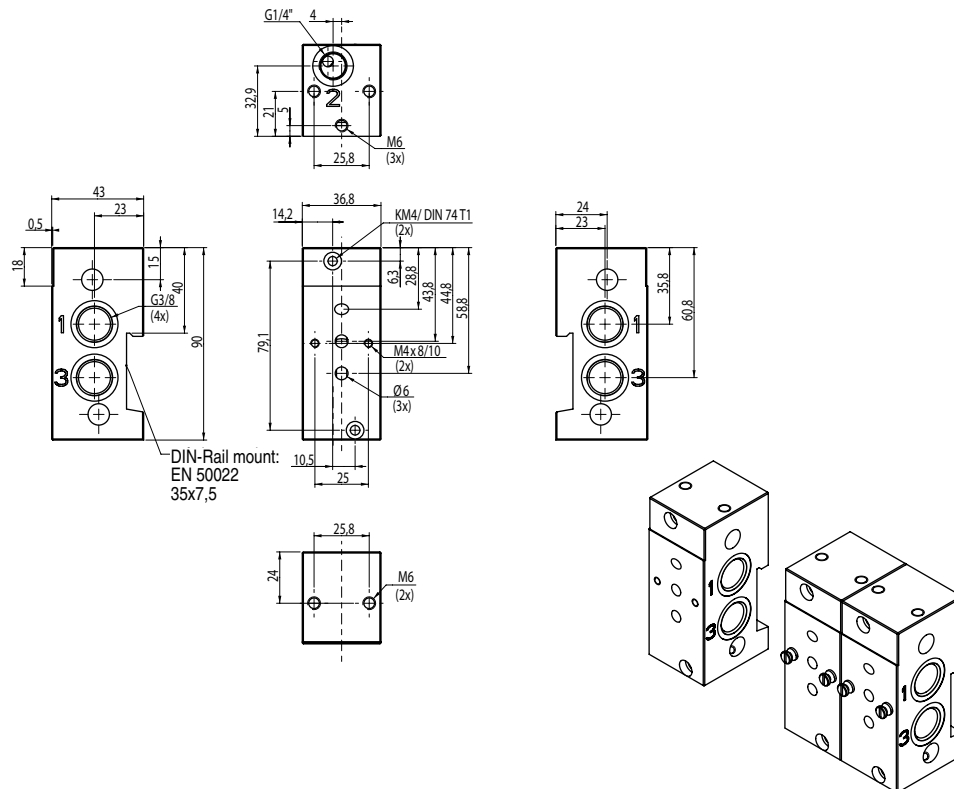
Weight: 0,49 kg




DN 4

Joinable subbase

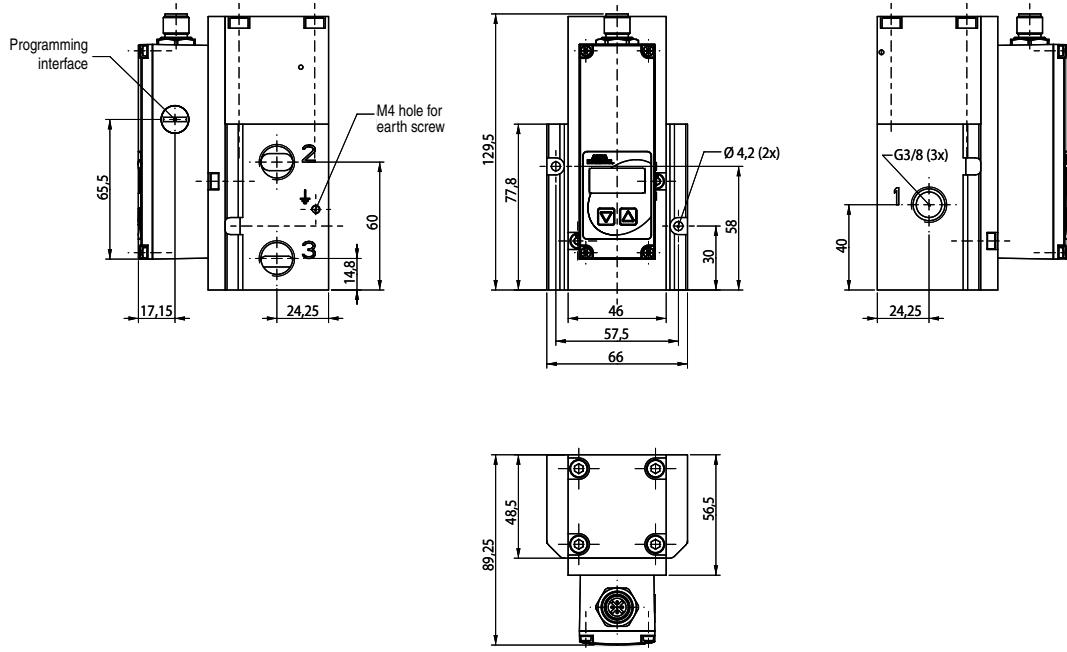
Weight: 0,3 kg



DIMENSIONS (mm), WEIGHT (kg) 

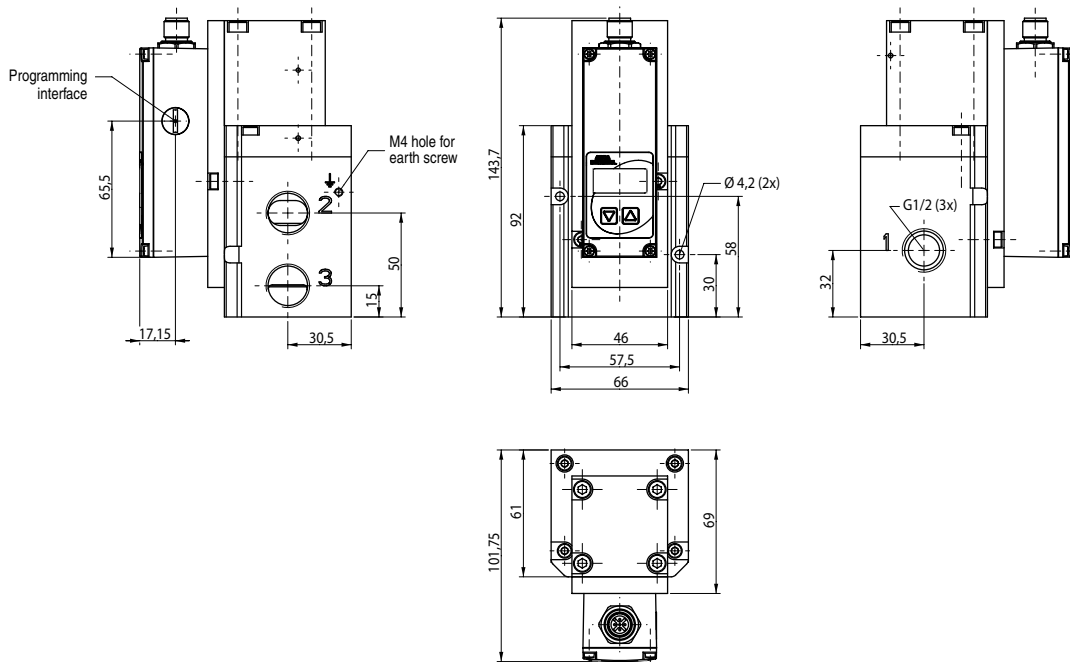
DN 8

Weight: 0,93 kg

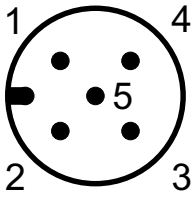


DN 15

Weight: 1,33 kg



CONNECTOR PINNING / CABLE WIRING



Pin	Description
1	24V voltage supply
2	not connected
3	Supply ground
4	C/Q
5	not connected
Body	EMC shield

ACCESSORIES

description	catalogue number
Connection cable 5m, straight socket, open cable end	N15183710000000
Connection cable 10m, straight socket, open cable end	N15183840000000
Connection cable 5m, straight socket on straight connector	N15184490000000
Connection cable 10m, straight socket on straight connector	N15184520000000
Joinable subbases for 617 DN4 with pressure supply G 3/8"	N50781800000000

