



CustomControlSensors

Dual Snap®
Pressure, Temperature and Liquid Flow

www.ccsdualsnap.com

605 Series (Gage, Differential, Vacuum) Non-Hazardous Areas

Reliable Pressure Switch Design

CCS introduces the new Industrial 605 Gage, Differential and Vacuum Pressure Switch Series.

Features & Benefits

- * NACE MRO175:2003
- * NEMA 4,13, 4X / IP66
- * High Over-Pressure Ratings
- * Suitable for Cable Gland Entry
- * Bottom electrical conduit prevents the entry of ambient moisture and lessens mounting interference.

Markets & Applications

Designed for Non-Hazardous Fluid Power and Pneumatic Markets:

- * Machine Tool
- * Pumps, Compressors & Turbines
- * Tire & Rubber

Custom Control Sensors (CCS) Experience

CCS has been a global leader in the design, testing and manufacturing of pressure, temperature and liquid flow products for the Aerospace, Defense, Industrial and Energy markets since 1958. CCS' experienced engineering and manufacturing staff can provide innovative solutions for the most demanding requirements.

Time-Tested Solutions. Reduced Costs & Time.

United States Office
21111 Plummer Street
Chatsworth, California 91311
Tel: +1 818.341.4610
switchnet@ccsdualsnap.com



CustomControlSensors



Operating Temperature

-40° to 186°F (-40° to 86°C)

Adjustable Set Point Range

28.5" Hg to 5000 PSIG
724 mm Hg to 345 BAR
96.5 to 34,474 kPa





CustomControlSensors

Dual Snap®

Pressure, Temperature and Liquid Flow

www.ccsdualsnap.com

Operating and Ordering Data

SERIES 605G*	WETTED PARTS: 1/4"-18 NPT ALUMINUM PRESSURE PORT, POLYIMIDE DIAPHRAGM, BUNA N O-RING				
	ADJUSTABLE SET POINT RANGE		APPROX. DEAD BAND PSI (BAR)	SYSTEM PRESSURE PSIG (BAR)	PROOF PRESSURE PSIG (BAR)
	INCREASING PRESSURE PSIG (BAR)	DECREASING PRESSURE PSIG (BAR)			
605G*1	1-16 (0.07-1.1)	3-15.3 (0.02-1.05)	.7 (0.05)	500 (34.5)	750 (51.7)
605G*M*1	1.4-16 (0.09-1.1)	5-15.1 (0.03-1.0)	.9 (0.06)		
605G*2	8-75 (0.6-5.2)	3-70 (0.2-4.8)	5 (0.34)	3000 (207)	5000 (345)
605G*11	20-150 (1.4-10.3)	8-138 (0.6-9.5)	12 (0.8)		
605G*3	50-375 (3.5-25.9)	22-347 (1.5-23.9)	28 (1.9)		
605G*5	330-1000 (22.8-68.9)	265-935 (18.3-64.5)	65 (4.5)		
605G*7	950-2300 (65.5-159)	775-2125 (53.4-147)	175 (12.1)		
SERIES 605GZ*	WETTED PARTS: 1/2"-14 NPT 316 STAINLESS STEEL PRESSURE PORT, POLYIMIDE DIAPHRAGM, VITON O-RING				
	ADJUSTABLE SET POINT RANGE		APPROX. DEAD BAND PSI (BAR)	SYSTEM PRESSURE PSIG (BAR)	PROOF PRESSURE PSIG (BAR)
	INCREASING PRESSURE PSIG (BAR)	DECREASING PRESSURE PSIG (BAR)			
605GZ*1	1.2-16 (.08-1.1)	4-15.2 (0.03-1.04)	.8 (0.06)	500 (34.5)	750 (51.7)
605GZ*M*1	1.4-16 (0.09-1.1)	5-15.1 (0.03-1.0)	.9 (0.06)		
605GZ*2	8-75 (0.6-5.2)	3-70 (0.2-4.8)	5 (0.34)	3000 (207)	5000 (345)
605GZ*11	20-150 (1.4-10.3)	8-138 (0.6-9.5)	12 (0.8)		
605GZ*3	50-375 (3.5-25.9)	22-347 (1.5-23.9)	28 (1.9)		
605GZ*5	330-1000 (22.8-68.9)	265-935 (18.3-64.5)	65 (4.5)		
605GZ*7	950-2300 (65.5-159)	775-2125 (53.4-147)	175 (12.1)		
SERIES 605GZ*-7011	WETTED PARTS: 1/2"-14 NPT 316 STAINLESS STEEL PRESSURE PORT & DIAPHRAGM, VITON O-RING				
	ADJUSTABLE SET POINT RANGE		APPROX. DEAD BAND PSI (BAR)	SYSTEM PRESSURE PSIG (BAR)	PROOF PRESSURE PSIG (BAR)
	INCREASING PRESSURE PSIG (BAR)	DECREASING PRESSURE PSIG (BAR)			
605GZ*1-7011	1.4-16 (.09-1.1)	4-15 (0.03-1.03)	1 (0.07)	500 (34.5)	750 (51.7)
605GZ*2-7011	10-75 (.7-5.2)	3-68 (0.2-4.7)	7 (0.5)		
605GZ*11-7011	20-150 (1.4-10.3)	6-136 (0.4-9.4)	14 (0.97)	3000 (207)	5000 (345)
605GZ*3-7011	50-375 (3.5-25.9)	16-347 (1.1-23.9)	34 (2.3)		
605GZ*5-7011	330-1000 (22.8-68.9)	250-920 (17.2-63.4)	80 (5.5)		
605GZ*7-7011	950-2300 (65.5-159)	750-2100 (51.7-145)	200 (13.8)		
605GZ*9-7011	2100-340 (145-234)	1820-3120 (126-215)	280 (19.3)		
605GZ*10-7011	3200-5000 (221-345)	2720-4520 (187.5-312)	480 (33.1)	5000 (345)	7500 (517)

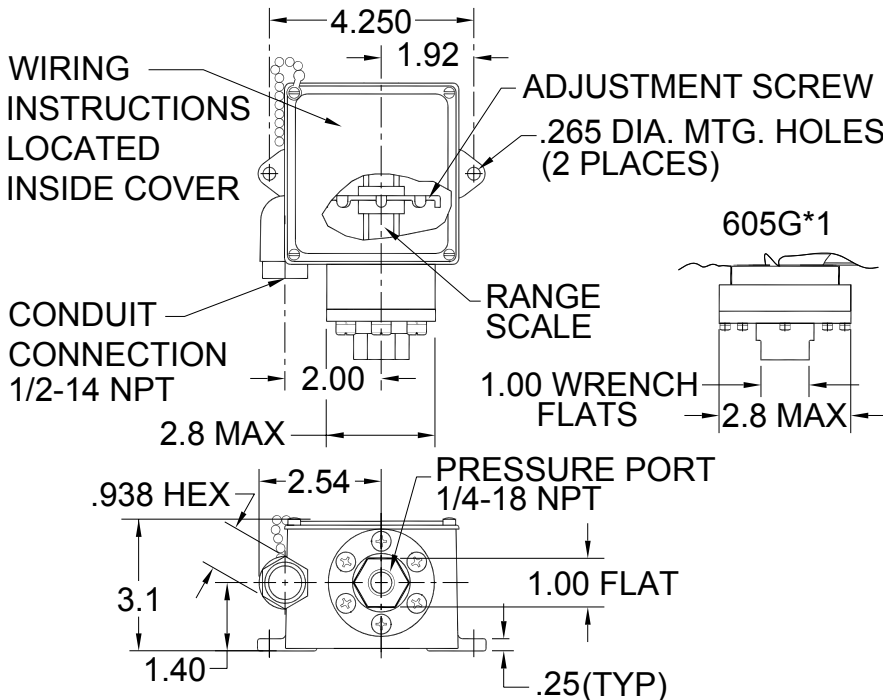


Electrical Characteristics

VOLTS	AMPERES		
	SPDT Res.	DPDT "M" Res.	Dbl Brk "X" Res.
125 AC - 50/60 Hz	15	5	15
250 AC - 50/60 Hz	15	5	15
480 AC - 50/60 Hz	15	-	15
28 DC	-	5	-
125 DC	.4	.5	1
250 DC	.2	-	.5
*125 AC - 50/60 Hz	1 max	1 max	-
*30 DC	1 max	1 max	-

*Gold Contacts -7008 Suffix

Installation Drawing



Available Options

* See catalog page at ccsdualsnap.com for more options.

- * A: Viton O-Ring
- * F: Ethylene Propylene O-Ring
- * 7008: Gold Contacts
- * 7023: Manual Reset after Increasing
- * 7032: Viton/Dacron Diaphragm and Viton O-Ring (GZ models only)
- * 7063: 1/4 inch BSP and M20 Electrical Connection (Aluminum wetted parts only)