

Precision Stainless Steel Fuel Control Regulator

In today's stringent testing of engines, compressors and other equipment, precise control of fuel supply is critical to accurate test results. With its new Model 67 Precision Stainless Steel regulator line, Fairchild offers a tough and durable yet highly precise regulator designed for rigorous and versatile testing applications. The 67PPR has quick change and purging capabilities to facilitate the variety of fuel mixtures used in engine technology.

When your application demands high performance and accurate control, insist on the best — Specify Fairchild's New Model 67 Regulators.

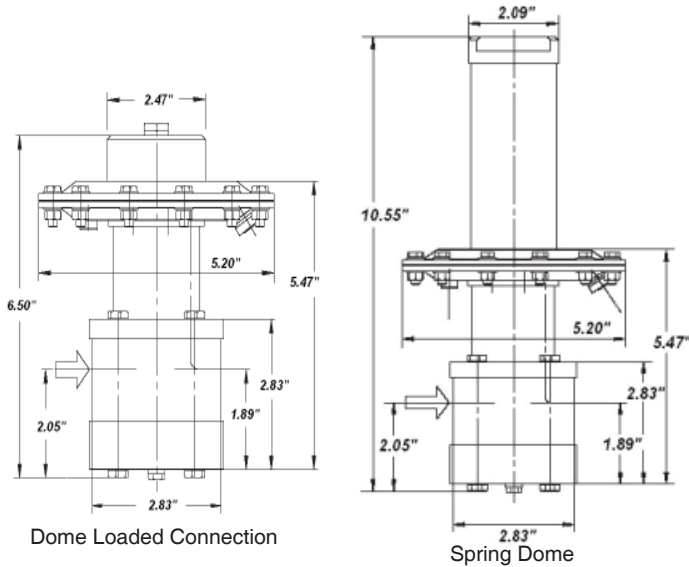
Contact your local distributor or Fairchild's Application support team at (800) 334-8422 to discuss the Model 67 and our complete line of precise and reliable pressure control products.

NEW Stainless Steel Precision Fuel Control Regulator

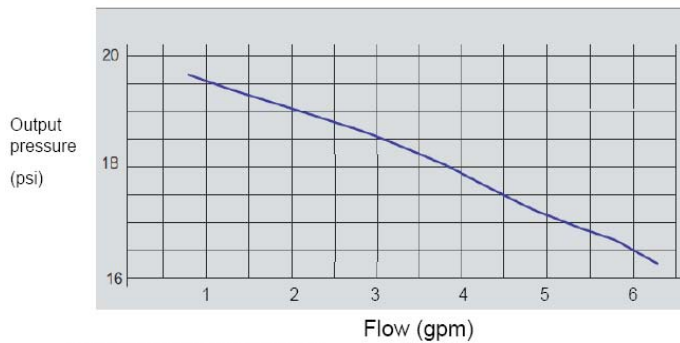
- F** High Accuracy with Extremely Low Droop Under Flow
- F** Reliable Fuel Supply to the Engine
- F** Full Corrosion Resistance for All Fuels and Mixtures
- F** No change in output with fluctuating supply pressure or downstream pulsation
- F** Allows Quick Fuel Changeover
- F** Washdown and Internal Purge Capability

The directly-controlled Model 67 stainless steel regulator precisely controls fuel pressures in ranges from minus 6 to 45 psi. The large diaphragm actuator with directly-controlled valve gives excellent response characteristics with very low hysteresis. High precision control is achieved by its force-balanced valve, with a newly developed patented smooth running seal system. Specially developed for the high precision and reliability requirements of modern engine test equipment, the M67 is suitable for all fuels such as gasoline, diesel, biodiesel (RME), aviation fuel, methanol, ethanol, petrol mixtures E5 to E100 and diesel mixtures B5 to B100.





Pressure/Flow (Liquid) Characteristics



Test Fluid is Glycol/water

Technical Data

Supply Pressure (P1)

150 psi (10 BAR) Max, 60 psi (5BAR) recommended

Regulating Range (P2)

-6 to 45 psi (-0.4 to 3 BAR)

Process Connections

1/2 NPTF internal thread / G1/2

Weight

9 lbs

Temperature

-4 °F to +265 °F (-20 °C to 130°C)

Testing and Inspection

According to IEC 60534-4

Pressure Tightness

Bubble tight sealing category VI

Materials of Construction

Body and Trim Stainless Steel
 Diaphragms and Seals PTFE, FFKM
 Regulator Seat Perfluoroelastomer FFKM-Kalrez / Chemraz

Please visit our website at www.fairchildproducts.com to find additional technical information and the to locate your nearest authorized distributor.

Solidworks and CAD drawings are available upon request

Ordering Information

Catalog Number 671

Pressure Range

-6 to 45psi [-0.6 to 3 BAR] 4

Port Size

1/2 4

Port Thread

NPT N

BSPT U

Flow Capacity

6 gpm (1200 kg/hr) I

Body Materials

Stainless Steel S

Seat Seal

FFKM K

Diaphragm Material

PTFE T

Product Configuration

Dome Loaded Connection (fig 1)	P
Spring Dome (fig 2)	S
With Dome Pressure Regulator (fig 3)	R
With I/P Transducer (fig 4)	T
With Flame Proof I/P Transducer (fig 5)	X

