



# Quick Exhaust • Shuttle Valves

Air, Inert Gas, Sweet Dry Natural Gas  
Die-Cast Zinc or Stainless Steel Body  
1/4" to 1" NPT

Accessories

## Features

- Compact, 3-ported valves have oversized orifice for quick exhaust of cylinders, brakes, actuators, clutches, etc.
- Allow use of smaller pipe lines and control components
- When used as a shuttle valve, high pressure from the two inlets exits through the common outlet
- 316L Stainless Steel constructions for corrosive environments
- Mountable in any position

## Construction

Valve Parts in Contact with Fluids		
	8800	V043
Body and Bonnet	316L Stainless Steel	Die-Cast Zinc
Seat	NBR/LT-NBR	NBR



## Nominal Ambient Temp. Ranges

**8800A10000N0000 and 8800A10200N0000:**

-4°F to 221°F (-20°C to 105°C)

**8800A10500N0000, 8800A10700N0000:**

-4°F to 200°F (-20°C to 93°C)

**8800A1080040000, 8800A1090040000:**

-40°F to 200°F (-40°C to 93°C)

**V043001 and V043002:**

-4°F to 125°F (-20°C to 52°C)

Refer to Engineering Section for details.

## Specifications English (Metric)

Pipe Size (in)	Flow Cv (Kv)		Opening Pressure psi (bar)	Maximum Operating Pressure Differential psi (bar)	Max. Temp. °F (°C)	Catalog Number	Body Material	Const. Ref.
	Pressure to Cylinder	Cylinder to Exhaust						
1/4	2 (1.7)	2 (1.7)	5 (0.35)	125 (8.6)	125 (52) ①	V043 001	Zinc	1
1/4	1.2 (1.1)	3.9 (3.4)	0 (0)	232 (16)	221 (105) ②	8800A10000N0000	Stainless Steel	2
1/4	2.4 (2)	5 (4.3)	5 (0.35)	150 (10.3)	200 (93) ③	8800A10500N0000	Stainless Steel	3
3/8	3.5 (3)	4.5 (3.9)	5 (0.35)	125 (8.6)	125 (52) ①	V043 002	Zinc	1
1/2	3.5 (3)	4 (3.4)	0 (0)	232 (16)	221 (105) ②	8800A10200N0000	Stainless Steel	4
1/2	6 (5.2)	15 (13)	5 (0.35)	150 (10.3)	200 (93) ③	8800A10700N0000	Stainless Steel	5
3/4	12 (10.4)	26 (22.5)	15 (1)	175 (12)	200 (93) ③	8800A1080040000	Stainless Steel	6
1	14 (12.1)	26 (22.5)	15 (1)	175 (12)	200 (93) ③	8800A1090040000	Stainless Steel	6

① Air only

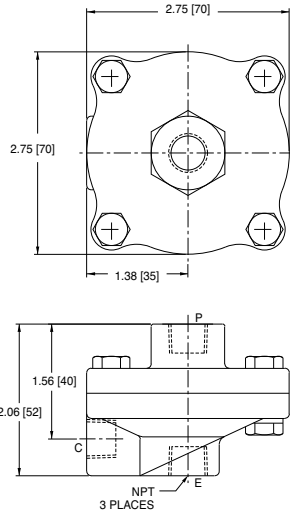
② Air and inert gas only

③ Air, inert gas and sweet dry natural gas

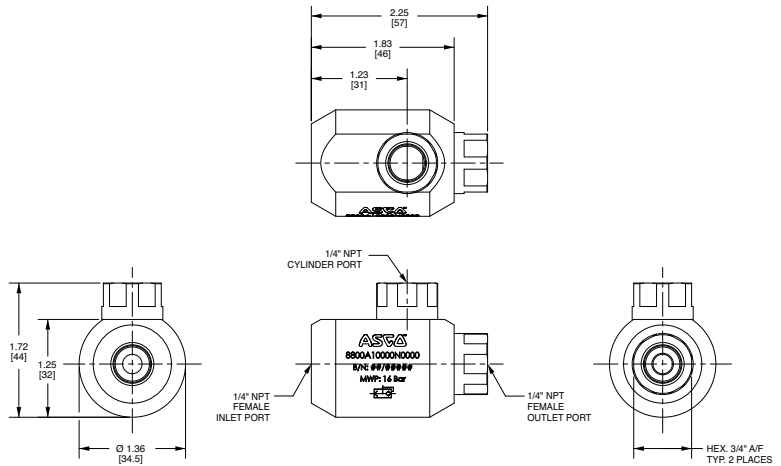
ACCESSORIES

Dimensions inches (mm)

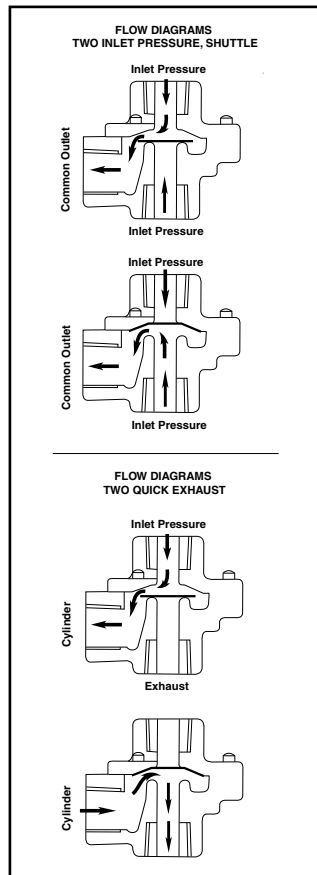
Const. Ref. 1



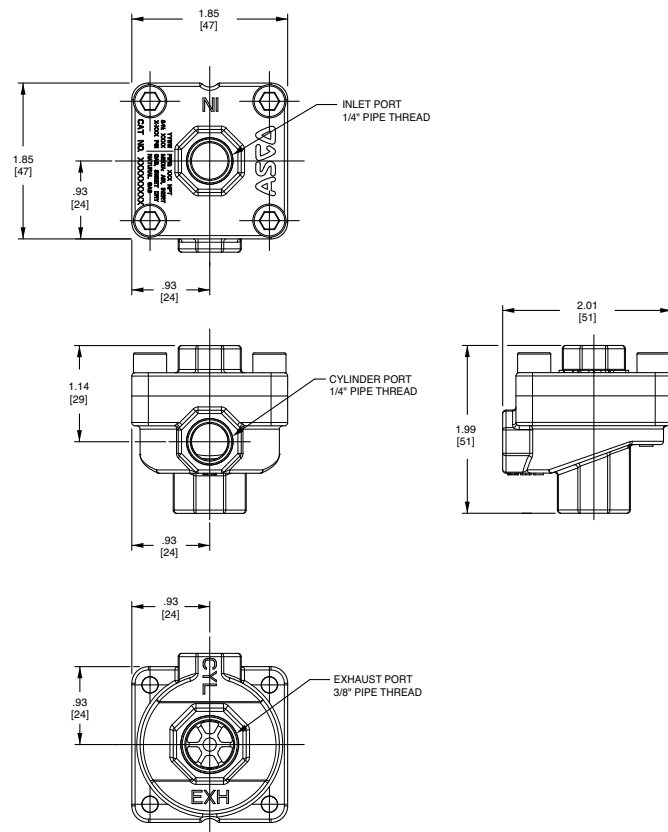
Const. Ref. 2



Flow Diagrams (V043 Series)

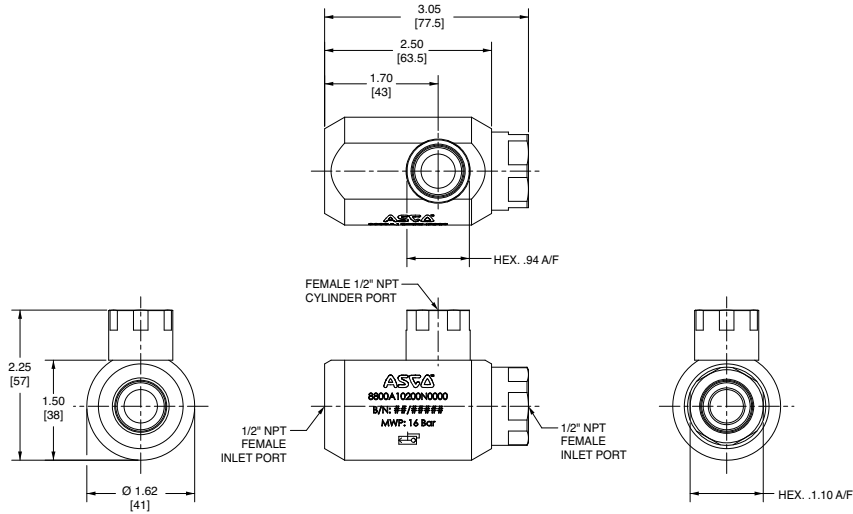


Const. Ref. 3

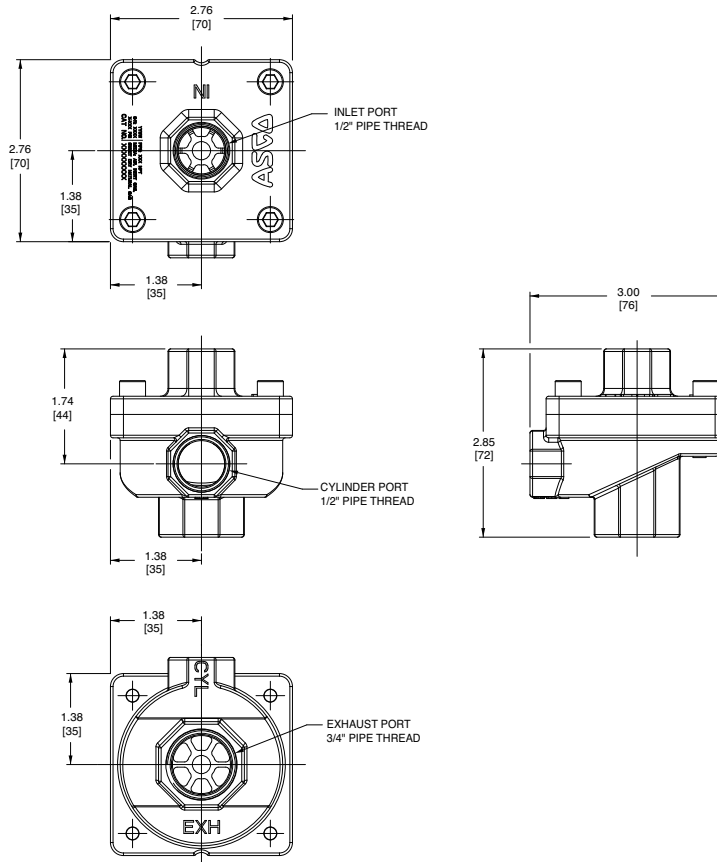


## Dimensions inches (mm)

**Const. Ref. 4**



**Const. Ref. 5**



Dimensions inches (mm)

Const. Ref. 6

