

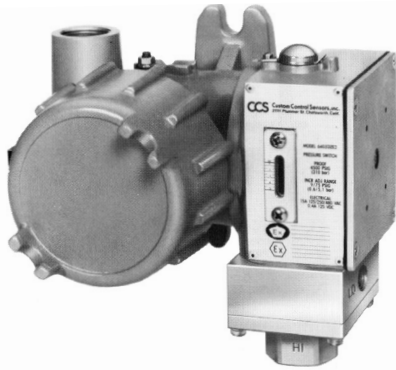


CustomControlSensors

Hazardous Areas Adjustable Pressure Switch

6403DZE* - Diaphragm Sensor

DESCRIPTION



- Highly reliable devices utilizing the CCS Dual-Snap® Belleville disc spring principle pioneered by CCS' engineers.
- Engineering based on aerospace technology.
- Rigid and internally adjustable for convenient field set point adjustment.
- Repeatable and stable set points.
- Vibration and shock resistant.
- High cycle life.

- High over-pressure capability. (System and Proof)
- Various options for electrical ratings to meet a wide range of application requirements and media capability.

SHIPPING WEIGHT: APPROXIMATELY 7.5 LBS (3.4 KGS)

SERIES:

6403DZE*

ADJUSTABLE SET POINT RANGE:

DIFFERENTIAL PRESSURE:

.39 to 75 PSID
0.027 to 5.17 bar
2.7 to 517 kPa

OPERATING TEMPERATURE:

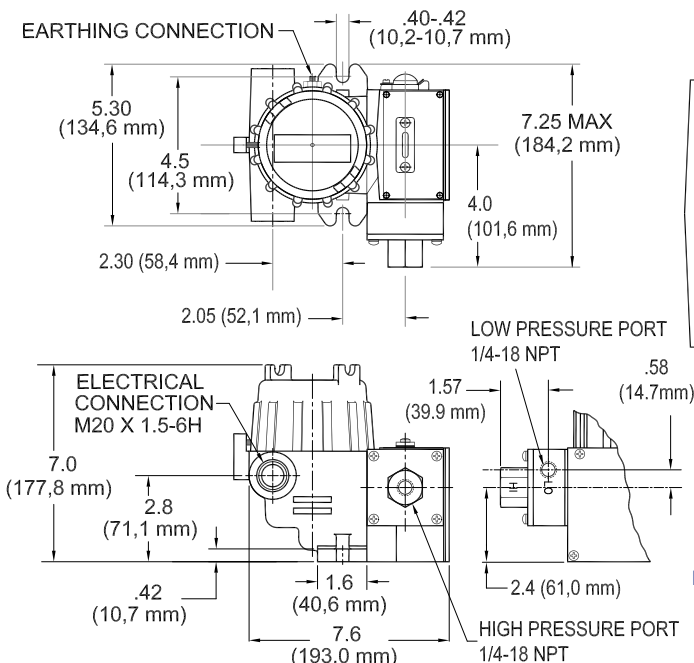
Temperature limits change with O-ring selection.

-40° to 186°F
-40° to 86°C

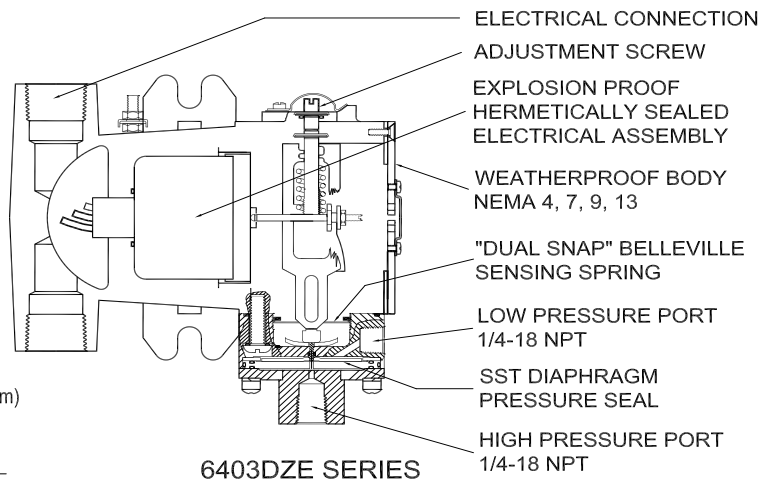
STANDARD FEATURES:

- Hermetically Sealed Electrical Assembly
- Integral Junction Box
- ATEX - Baseefa Certified
- CE Mark
- NACE MR0175:2003
- NEMA: 4, 7, 9,13 / IP66 & 67

INSTALLATION DRAWING



DESIGN PRINCIPLES



FIELD SETTING: Loosen access cover. Adjust adjustment screw using screwdriver. Clockwise to increase settings. Counterclockwise to decrease setting.



CustomControlSensors

Hazardous Areas Adjustable Pressure Switch

6403DZE* - Diaphragm Sensor

OPERATING AND ORDERING DATA

SERIES 6403DZE*	WETTED PARTS: 1/4"-18 NPT STAINLESS STEEL PRESSURE PORT, POLYIMIDE DIAPHRAGM, VITON O-RING						
	ADJUSTABLE SET POINT RANGE		APPROX. DEAD BAND PSI (BAR)	SYSTEM PRESSURE PSIG (BAR)	PROOF PRESSURE PSIG (BAR)		
	INCREASING PRESSURE PSID (BAR)	DECREASING PRESSURE PSID (BAR)			BOTH PORTS SIMULT.	HIGH OVER LOW LOW OVER HIGH	
			HIGH	LOW			
6403DZE*1	1.4-18 (0.097-1.2)	0.39-16.99 (0.027-1.13)	1.01 (0.07)	400 (27.6)	750 (52)	750 (52)	400 (27.6)
6403DZE*2	6-75 (0.41-5.1)	2-71 (.13-4.82)	4 (0.28)				

HOW TO ORDER

Follow these steps to build your part number:

1. Specify the series based on your required set point, range, dead band, system pressure and proof pressure.
2. Add desired options model code letter.
3. Add the applicable standard suffix number.

(Ex: 6403DZEM1-7008)

PRESSURE CONVERSION

1 BAR = 14.5 PSI
1 kPa = 0.145 PSI

OPTIONAL STANDARD MODIFIED SUFFIXES

7008: Gold Contacts
7011: Stainless Steel Diaphragm

ELECTRICAL ENCLOSURE CERTIFICATIONS

* ATEX - Certificate No. Baseefa04ATEX0113. Baseefa certified for potentially explosive atmospheres electrical assembly series. In compliance with EN 60079-0: 2004, EN 60079-1: 2004 and EN 50281-1-1:1998 + Amendment 1. (Standard)

ELECTRICAL CHARACTERISTICS

RATING OF SWITCH ELEMENT

VOLTS	AMPERES	
	SPDT	DPDT "M"
	Res.	Res.
125 AC - 50/60 Hz	15	11
250 AC - 50/60 Hz	15	11
480 AC - 50/60 Hz	15	-
28 DC	-	5
125 DC	.5	.5
250 DC	.2	-
*125 AC - 50/60 Hz	1 max	1 max
*30 DC	1 max	1 max

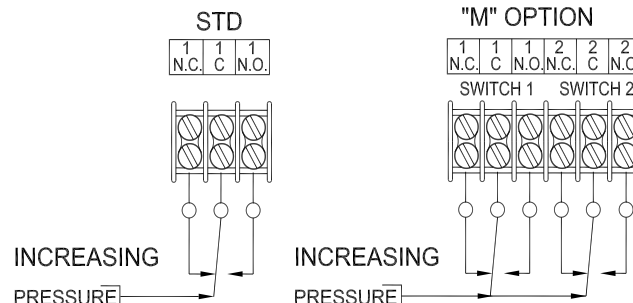
*Gold Contacts -7008 Suffix

OPTIONS MODEL CODES

M: DPDT Electrical

Note: Additional modified standard suffixes are available, consult CCS sales department or CCS Representative.

SCHEMATIC AND WIRING CODE



CERTIFICATIONS

Consult CCS website for complete certification and approval listing.