

### GENERAL

FLUID	: Air or neutral gas, filtered, lubricated or not
PRESSURE	: 2 to 10 bar (pilot 190) 2 to 12 bar (pilot 192)
TEMPERATURE	: - 10 °C, + 60 °C
FLOW (Qv at 6 bar)	: see table below
PILOT PRESSURE	: In external supply, the pressure of the pilot fluid <b>must be at least</b> equal to the fluid pressure

### CONSTRUCTION

Body in light alloy  
Internal parts in steel and light alloy  
Sealing in nitrile (NBR)  
Subbases in light alloy



### ELECTRICAL CHARACTERISTICS OF PILOTS

Type of sol. valve		Voltages	Consumption		Insulation class	Protection degree	Electrical connection
			Inrush	Hold			
Series 190	~	24V - 48V - 115V - 230V / 50 Hz	9VA	4VA (3W)	F	IP 65	spade plug size 30 connector, ISO4400/EN175301-803, form A, rotatable by 90°
	=	24V - 48V	3 W				
Series 192	~	24V - 48V - 115V - 230V / 50 Hz	12VA	6VA(4W)	F	IP 65	
	=	24V - 48V	5 W				

The solenoid valve 190 is dual voltage (24 V~, 12 V=) (48V~, 24V=) (115V~, 48 V=) (230V ~, 115V=)

### SPECIFICATIONS

Pipe size	Orifice size (mm)	Flow		Fluid pressure <sup>(1)</sup> (bar)		2 catalogue numbers		(M)	Reference
		at 6 bar l/min (ANR)	coef. KV	min.	max.	VALVE	PILOT with standard connector		
G 1/2	14	3000	42	2	10/12	<b>26690018</b>	} + }	×	G/DP 303/O
G 1	22	9100	130	2	10/12	<b>26790014</b>		●	
G 1 1/2	40	31500	450	2	10/12	<b>26890298</b> <sup>(2)</sup>		▼	
								×	G/DP 305/O
								●	GDM/DP 307/O
								▼	

(M) Type of manual operator on pilot(s): X : without ● : maintained ▼ : impulse

(1) 10 bar (with pilot 190), 12 bar (with pilot 192)

(2) Valve always delivered with an intermediary amplifier valve 3/2 - Ø 8 mm, series 261 (cat no. 26190067)

### SUBBASES

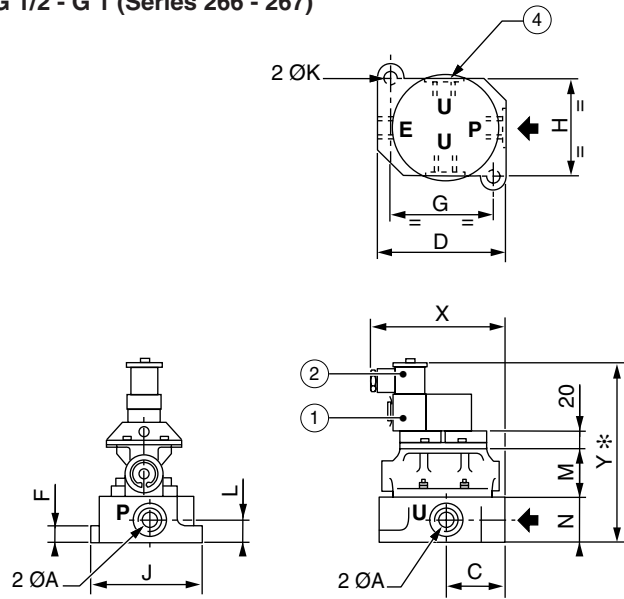
For a valve with mounting face	CHARACTERISTICS			catalogue number	References
	Subbase type	Pipe size	Connection type		
CNOMO 06.05.82/83 AFNOR E49068/69 G 1/2	SINGLE	G 1/2	Side ports	<b>35700014</b>	P/DP 303
	JOINABLE	G 1/2	Side ports	<b>35700034</b>	PJ/DP 303
CNOMO 06.05.84 AFNOR E49070 G 1	SINGLE	G 1	Side ports	<b>35700016</b>	P/DP 305
	JOINABLE	G 1	Side ports	<b>35700036</b>	PJ/DP 305
CNOMO 06.05.85 AFNOR E49071 G 1 1/2	SINGLE	G 1 1/2	Bottom ports	<b>35700030</b>	P/DP 307

### OPTIONS

- Other voltages or frequency 60 Hz, on request
- Solenoid pilot 190 with solenoid head for dusty explosive atmospheres (**SG**), zone 22
- Solenoid valve, intrinsically safe (contact us)
- Connector with cable outlet, 2 m: cat no. **88122612**
- Solenoid valve 190 - 192 with connector and built-in visual indicator and protection
- Valve function NO (normally open to rest)

**DIMENSIONS AND WEIGHTS OF SUBBASE MOUNTED POPPET VALVES**

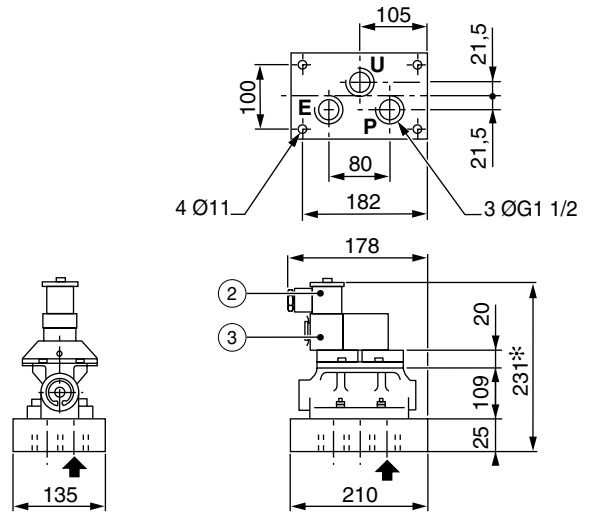
VALVE ON SINGLE SUBBASES  
G 1/2 - G 1 (Series 266 - 267)



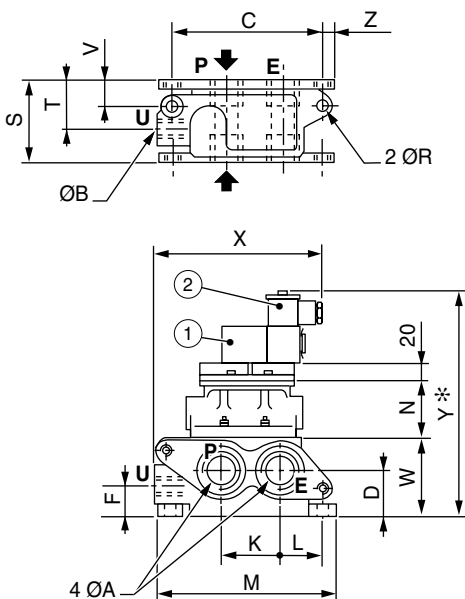
Series	266	267
ØA	G 1/2	G 1
C	49	93,5
D	92	164
F	9	12
G	76	144
H	62	68
J	78	88
K	9	11
L	18	25
M	58	74
N	34	55
X	115	155
Y	189	226
Weight (kg)	1,500	2,300

- ① Pilot series 190 or 192
  - ② Connector rotatable by 90°
  - ③ Pilot series 192
  - ④ "U" connectable on 2 ports
- \* +15 mm for connector clearance

VALVE ON SINGLE SUBBASES  
G 1 1/2 (Series 268)  
Weight : 3 kg



VALVE ON JOINABLE SUBBASES  
G 1/2 - G 1 (Series 266 - 267)



Series	266	267
ØA	G 3/4	G 1 1/4
ØB	G 1/2	G 1
C	130	172
D	36	56
F	25	37
L	34	45
M	152	203
N	58	74
R	11	14
S	85	104
T	56	63
V	28	32
W	65	95
X	149	176
Y	220	266
Z	11	14
Weight (kg)	2,100	3,700

- ① Pilot series 190 or 192
  - ② Connector rotatable by 90°
- \* +15 mm for connector clearance