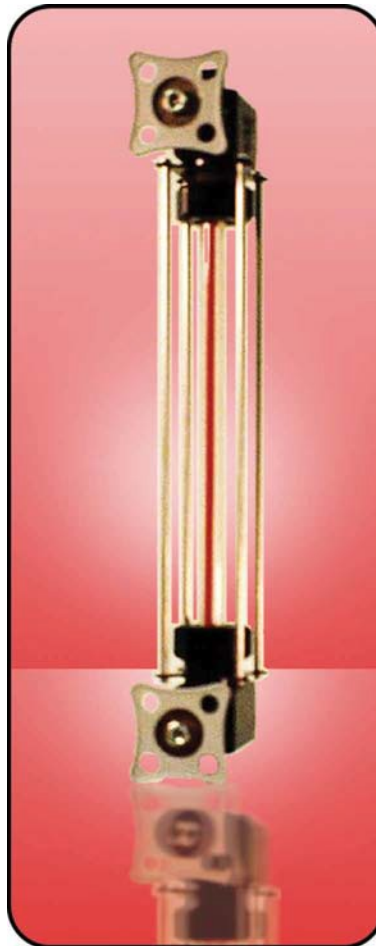


GLASS-TRAC MODEL 1TC TUBULAR GAGE VALVES

For low pressure water vessels, storage tanks, containers, etc. Glass-Trac provides Type 1TC carbon steel and 316 stainless steel valves for Tubular Gages. These valves are used with 5/8", 1/2" or 3/4" O.D. Pyrex Red Line, High Pressure or Heavy Wall Glass. Each valve contains a Stainless Steel ball check which closes the valve in the event of glass breakage. Each 1TC has either a 1/2" or 3/4" rigid vessel connection, plain closing stem and a straight pattern body. The maximum working pressure is dependent on the length and rated pressure of the glass. The 1TC valve can be used with 4 guard rods.

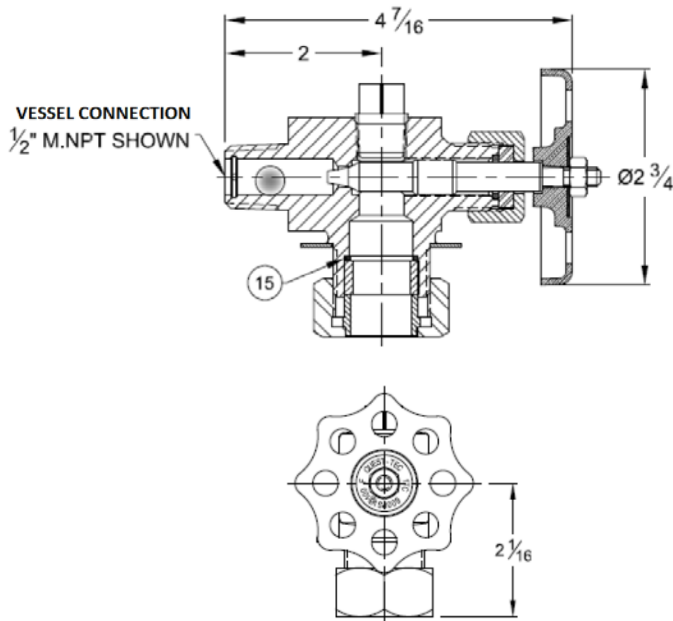
Tubular glasses are available in any length and should be cut 2-1/8" shorter than the center to center dimension. Guard rods should be cut 1-1/8" shorter than the center to center dimension. To determine the approximate visible glass deduct 4" from the valves center to center dimension.



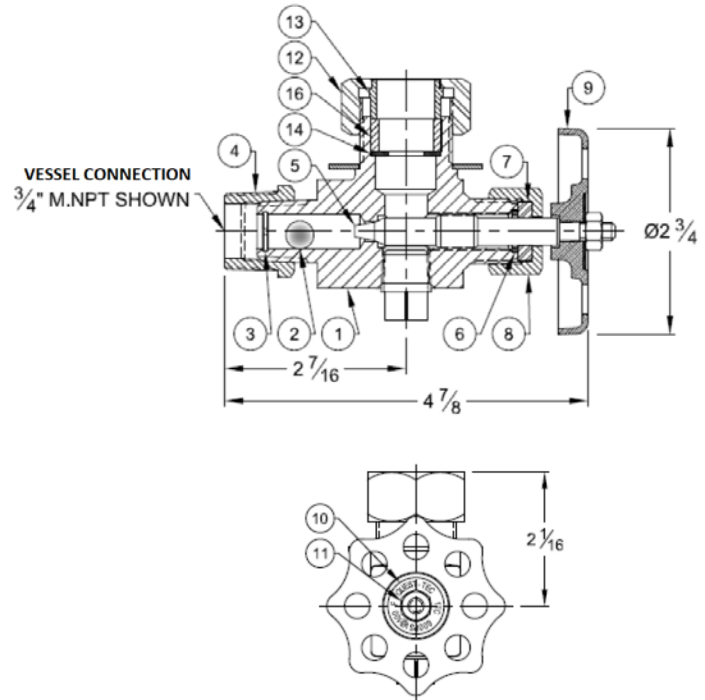
GLASS-TRAC 1TC PART NUMBERS

PART NUMBER	CONNECTIONS	MATERIAL
1-209-01-049D	1/2" x 5/8" O.D. GLASS	CARBON STEEL
1-209-01-049EB	3/4" x 5/8" O.D. GLASS	CARBON STEEL
1-209-01-049L	1/2" x 3/4" O.D. GLASS	CARBON STEEL
1-209-01-049GB	3/4" x 3/4" O.D. GLASS	CARBON STEEL
1-209-01-049H	1/2" x 5/8" O.D. GLASS	316 SS
1-209-01-0491B	3/4" x 5/8" O.D. GLASS	316 SS
1-209-01-049M	1/2" x 3/4" O.D. GLASS	316 SS
1-209-01-049KB	3/4" x 3/4" O.D. GLASS	316 SS

TOP VALVE EXAMPLE



BOTTOM VALVE EXAMPLE



PARTS

ITEM#	NAME	STANDARD MATERIAL	316 SS MATERIAL
1	VALVE BODY	CARBON STEEL	316 SS
2	BALL	316 SS	316 SS
3	BALL RETAINER	316 SS	316 SS
4	3/4" x 1/2" NPT REDUCER BUSHING	CARBON STEEL	316 SS
5	STEM	316 SS	316 SS
6	STEM PACKING WASHER	CARBON STEEL	316 SS
7	STEM PACKIN RING	GRAFOIL	GRAFOIL
8	STEM PACKING NUT	CARBON STEEL	316 SS
9	HANDWHEEL	ALUMINUM	ALUMINUM
10	NAMEPLATE	304 SS	304 SS
11	HANDWHEEL NUT	CARBON STEEL	18-8 SS
12	GLASS PACKING NUT	CARBON STEEL	316 SS
13	GLASS FOLLOWER	CARBON STEEL	316 SS
14	LOWER GLASS SUPPORT	CARBON STEEL	316 SS
15	UPPER GLASS SUPPORT	CARBON STEEL	316 SS
16	GLASS GASKET	VITON A	VITON A