

**ACCUTRAK™ LINEAR POSITION MONITORS**

EXPLOSIONPROOF – NEC

The AccuTrak 3479 combines the functionality of an explosionproof junction housing and position sensors to provide cost-effective monitoring of linear control and knife gate valves



**FEATURES**

- Magnum limit switches with rhodium contacts recommended for use with low power I/O's for longer contact life.
- Factory pre-wired SPDT hermetically sealed proximity switches provide labor savings for position sensing of smaller valves.
- Aluminum enclosures with ultra-low copper content (0.2% maximum) ensure robust performance in corrosive environments.
- Conduit entries and numbered terminal strip for convenient integration of a solenoid valve.
- Easy back-wiring of 316 Silver Bullet sensors to accommodate position sensing of large valves.
- Triggering bolts included.
- Optional OSHA compliant, adjustable triggering system available in Delrin® or stainless steel.

**TECHNICAL DATA**

**Agency approvals**

Area classification (NEC 500)	Class I, Division 1, Groups B, C & D
Without eliminator conduit option	Class II, Division 1, Groups E, F & G
With eliminator conduit option	Class I, Division 1, Groups C & D
	Class II, Division 1, Groups E, F & G
Enclosure standards (ANSI/NEMA 250)	Type 4, 4X

**Switches**

Model 3479 MOD3	SPDT hermetically sealed proximity switches
-----------------	---

**Enclosure**

Model 3479 MOD3	Aluminum
-----------------	----------

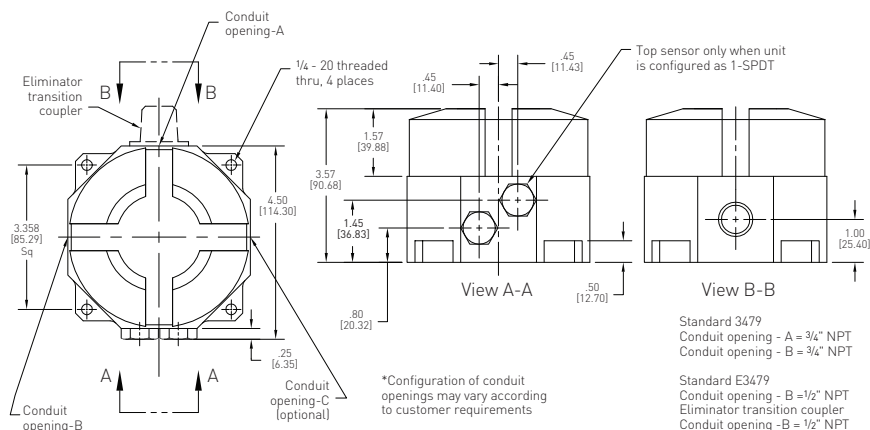
**GENERAL APPLICATION**

AccuTrak position monitors provide consistent and accurate monitoring of linear valves through the use of an explosionproof junction housing and hermetically sealed proximity switches.

# ACCUTRAK™ LINEAR POSITION MONITORS

EXPLOSIONPROOF – NEC

## MODEL 3479 MOD3 DIMENSIONS



## NOTES

1. See selection guide for standard conduit entries
2. See switches & sensors data sheet for further information
3. A specialist eliminator fitting is available for the mounting of an aftermarket solenoid valve
4. Please consult your sales office for any other requirements
5. Please contact your sales office for guidance on selecting the best possible combination for your control and monitoring requirements
6. See Hazardous area classification technical bulletin for further information on global standards

Dimensions in inches, where available metric dimension (mm) in parentheses

## TECHNICAL SPECIFICATIONS

### Materials of construction

Enclosure	Aluminum with powder coat finish
Hermetic Seal	Glass (vacuum)
Temp. range	-40°F to +220°F
Operational Life	600,000 cycles (full rated load)
Sensor Actuation	Ferromagnetic (stainless steel encapsulated)
Sensor Distance	0.100" end sensing
Operating Time	3.0 ms
Repeatability	0.005 inch
Hysteresis	0.030 inch

### Available switches

- Magnum, SPDT hermetically sealed switches with tungsten contacts
- Magnum, SPDT hermetically sealed switches with rhodium contacts

## MODEL 3479 SELECTION GUIDE

### Base model

3479	Aluminum enclosure
	<b>Conduit entry</b>
	3B Three 3/4" NPT (F)
	3E Two 3/4" NPT (F) and one 1/2" NPT (M) eliminator fitting
	<b>Position switches</b>
	1M06 One SPDT Magnum switch with tungsten contacts - 10 pt. TS
	2M06 Two SPDT Magnum switches with tungsten contacts - 10 pt. TS
	1M12 One SPDT Magnum switch with rhodium contacts - 10 pt. TS
	2M12 Two SPDT Magnum switches with rhodium contacts - 10 pt. TS
3479	3B 2M12 = Model number <b>34793B2M12</b>

**WESTLOCK**  
CONTROLS

www.westlockcontrols.com

Westlock. We reserve the right to change designs and specifications without notice.