

Features

- 2-way normally closed operation
- For gas pilot control of commercial and industrial gas burners
- Valves provided with 1/8" NPT downstream pipe tap with plug for routine testing
- Suitable for ambient temperatures up to 175°F
- Visual position indicator option for 3/8" and 1/2" sizes

Construction

Valve Parts in Contact with Fluids	
Body	Aluminum
Seals and Disc	NBR
Core Tube	305 Stainless Steel
Core Guide	Acetal
Rider Ring	PTFE
Core and Plugnut	430F Stainless Steel
Springs	302 Stainless Steel
Shading Coil	Copper
Pipe Plug	Zinc-Plated Steel

Electrical

Standard Coil and Class of Insulation	Watt Rating and Power Consumption			Ambient Temp. °F	Spare Coil Family	
	AC				General Purpose	Explosionproof
	Watts	VA Holding	VA Inrush		AC	DC
F	10.1	25	70	-40 to 175	238610	238614

Standard Voltages: 24, 120, 240 volts AC, 60 Hz (or 110, 220 volts AC, 50 Hz).

Solenoid Enclosures

Standard: Watertight, Types 1, 2, 3, 3S, 4, and 4X, with 1/2" conduit hub.

Valve Response Time

Opening Time: Less than 1 second; Closing Time: Less than 1 second

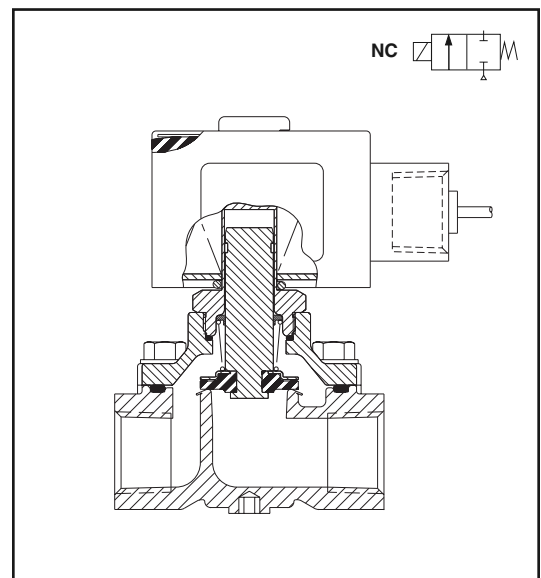
Options

Visual Indicator (Suffix "V"):

Provides visual indication of the valve's open and shut position. Meets NFPA requirements. Available on 3/8" and 1/2" sizes.

Extended lead length (Suffix "K"):

Provides 72" lead length vs. 18" lead length (EX: SV311A02N6CG5K).



Approvals

UL listed to standard 429 "Electrically Operated Valves."

FM Approved to Class 7400 "Liquid and Gas Safety Shutoff Valves."

CSA Certified to:

- 1) Standard C22.2 No. 139 "Electrically Operated Valves," File 010381.
- 2) Automatic Gas Valves Z21.21 (6.5), File 112872
- 2) Automatic Gas Safety Shutoff Valves C/I (3.9), File 112872

Specifications (English units)

Pipe Size (ins.)	Orifice Size (ins.)	Cv Flow Factor	Gas Capacity ①		Operating Pressure Differential (psi)		Max. Fluid Temp. °F	Catalog Number			Const. Ref.	Agency			Wattage	Approx. Shipping Weight (lbs)
			Btu/hr.	Min.	Max.	24V 60 Hz		110-120V 50-60 Hz	220-240V 50-60 Hz	UL		FM	CSA			
COMBUSTION (Fuel Gas) - NORMALLY CLOSED																
3/8	3/4	3.9	210,000	0	2	125	SV311A01N6CG5	SV311A02N6CG5	SV311A04N6CG5	1	○	○	○	10.1	2.8	
1/2	3/4	5.4	291,000	0	2	125	SV311A01N6DG5	SV311A02N6DG5	SV311A04N6DG5	1	○	○	○	10.1	2.8	
3/4	3/4	9.5	512,000	0	2	125	SV311A01N6EG5	SV311A02N6EG5	SV311A04N6EG5	2	○	○	○	10.1	2.8	

○ = Safety Shutoff Valve. ① 1" W.C. Drop @ 2" W.C. Inlet Pressure, 1,000 Btu/cu.ft. or more, 0.64 Specific Gravity Gas.

Specifications (Metric units)

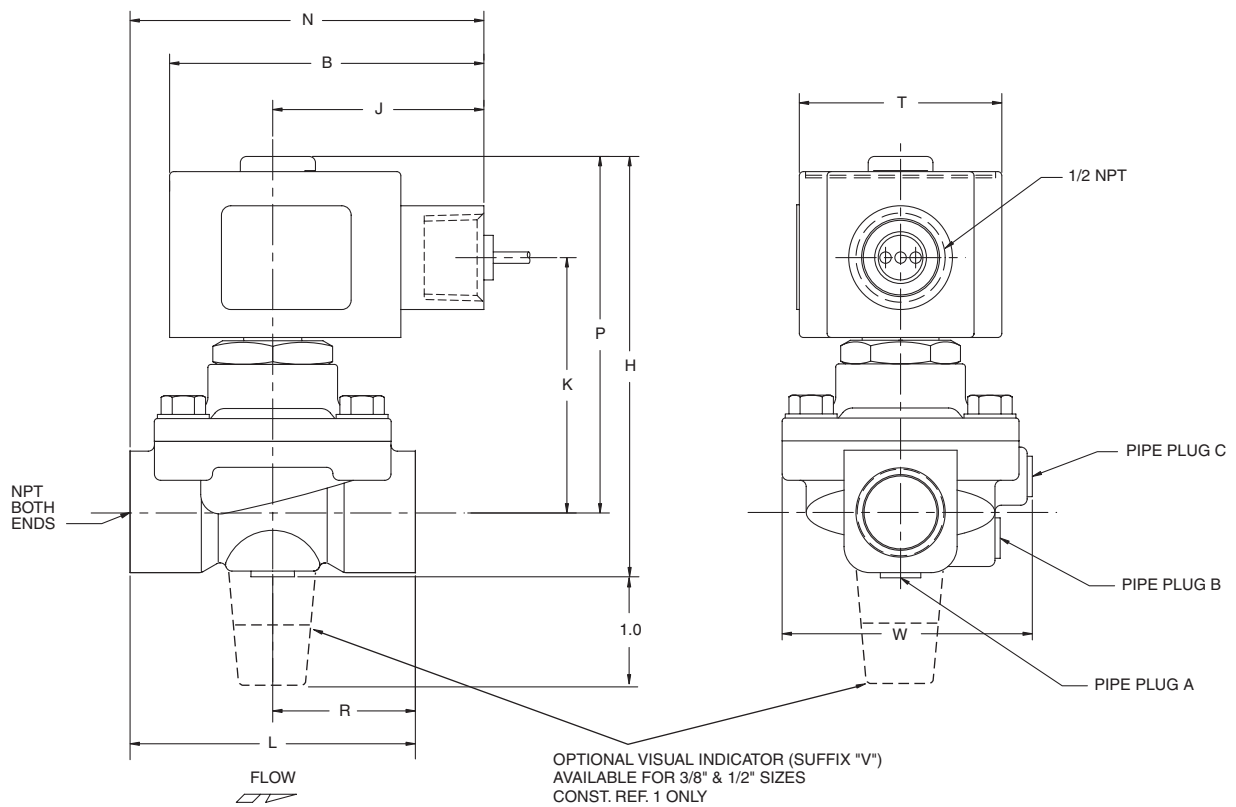
Pipe Size (ins.)	Orifice Size (mm)	Kv Flow (m³/hr)	Gas Capacity ①		Operating Pressure Differential (bar)		Max. Fluid Temp. °C	Catalog Number			Const. Ref.	Agency			Wattage	Approx. Shipping Weight (kgs)
			Btu/hr.	Min.	Max.	24V 60 Hz		110-120V 50-60 Hz	220-240V 50-60 Hz	UL		FM	CSA			
COMBUSTION (Fuel Gas) - NORMALLY CLOSED																
3/8	19	3.3	210,000	0	0.1	52	SV311A01N6CG5	SV311A02N6CG5	SV311A04N6CG5	1	○	○	○	10.1	1.3	
1/2	19	4.6	291,000	0	0.1	52	SV311A01N6DG5	SV311A02N6DG5	SV311A04N6DG5	1	○	○	○	10.1	1.3	
3/4	19	8.1	512,000	0	0.1	52	SV311A01N6EG5	SV311A02N6EG5	SV311A04N6EG5	2	○	○	○	10.1	1.3	

○ = Safety Shutoff Valve. ① 1" W.C. Drop @ 2" W.C. Inlet Pressure, 1,000 Btu/cu.ft. or more, 0.64 Specific Gravity Gas.

Dimensions inches (mm)

Const. Ref.		B	H	J	K	L	N	P	R	T	W	Pipe Plug
1	ins.	3.03	4.05	2.04	2.346	2.75	3.31	3.44	1.37	1.37	2.42	B & C
	mm	77	103	52	60	70	84	87	35	35	61	
2	ins.	3.03	4.49	2.04	2.65	3.31	3.70	3.63	1.65	1.65	2.39	A & C
	mm	77	114	52	67	84	94	92	42	42	61	

Const. Ref. 1, 2



Mountable in any position.

