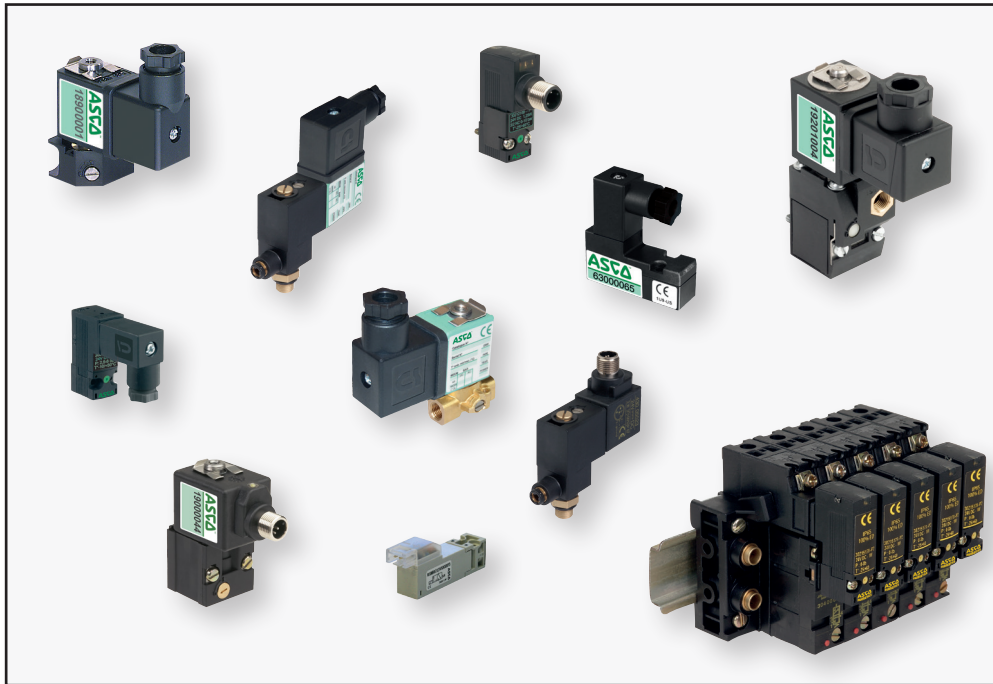


# DIRECT OPERATED SOLENOID PILOT VALVES

## Product Index



ports/positions	Function			pipe connections					max. pressure (bar)	flow at 6 bar l/min (ANR)	Kv coef.	M12 connection	Type	Illustration	Series	Page	
				▮ - instant fittings O.D. (mm) ▮ - internal thread (ØG) ▮ - external thread (ØG) ⊥ - pad mount ⊥ - pad mount, pneumatic-electric ⊥ - pad mount, CNOMO size 15 ⊥ - pad mount, CNOMO size 30													
	NC	NO	U	4	6	M3	M5	1/8									1/4
<b>Solenoid pilot valves</b>																	
3/2	●	●				▮			⊥	8	8	0,12		Micro 10		<a href="#">188</a>	<a href="#">1</a>
3/2	●	●					▮		⊥	10	13-44	0,20-0,65		Micro 10 high flow		<a href="#">188</a>	<a href="#">5</a>
2/2	●	●					▮		⊥	10	11-39	0,11-0,5	M12			<a href="#">302</a>	<a href="#">9</a>
3/2	●	●	●						⊥	10	11-39	0,11-0,5	M12			<a href="#">302</a>	<a href="#">15</a>
2/2	●	●		▮			▮	▮	⊥	8	6-7	0,086-0,12		Piezotronic		<a href="#">630</a>	<a href="#">21</a>
3/2	●	●	●				▮	▮		15	-	0,8-2,6				<a href="#">356</a>	<a href="#">23</a>
3/2	●			▮				▮		10	34	0,5	M12	Banjo		<a href="#">189</a>	<a href="#">25</a>
3/2	●	●		▮	▮			▮	⊥	10	50	0,6-0,7	M12			<a href="#">189</a>	<a href="#">27</a>
3/2	●			▮	▮			▮	⊥	10	70	1	M12			<a href="#">190</a>	<a href="#">29</a>
3/2	●	●	●	▮	▮			▮	⊥	16	112	1,5-1,6	M12			<a href="#">192</a>	<a href="#">31</a>

01817GB-2017/R01  
Availability, design and specifications are subject to change without notice. All rights reserved.

All leaflets are available on: [www.asco.com](http://www.asco.com)

ISO 5599-1 standards	ports/positions	function	pipe connections										valve technology	stainless steel screws	max. pressure (bar)	flow at 6 bar l/min (ANR)	solenoid pilot valve	Type	Illustration	Series	Page
			- instant fittings O.D. (mm) - internal thread ØG - pad mount - pad mount, CNOMO size 15 - pad mount, CNOMO size 30	4 6 M3 M5 1/8 1/4 3/8 1/2 3/4 1 1 1/4 1 1/2	ØG																
<b>Electric-pneumatic piloting interface</b>																					
3/2	●												rubber packed	8	154		Electric-pneumatic interface		302 304	35	
4/2																					

## COIL CHARACTERISTICS

All coils are designed to operate at 15% or 10% below the nominal voltage (Un) and at 10% above the nominal voltage (Un). [Applicable standards: IEC 335, EN 60730- 1, UL 429]

The coils are rated for continuous duty within the maximum ambient temperature limits (100% ED).

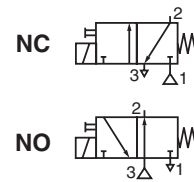
## CATALOGUE NUMBERS OF REPLACEMENT COILS

solenoid valve series	coil type	alternating current , AC (~) 50 Hz					direct current , DC (=)			
		24V	48V	115V	230V	240V	12V	24V	48V	110V
189	C22A - 2.5 W	43004416 (♣)	43004417 (♣)	43004419 (♣)	43004422 (♣)	43004423 (♣)	43004149	43004166	43004167	43004168
	C22 - 2.5 W (M12)	-	-	-	-	-	-	43005523	-	-
189 banjo	CM22 <sup>(1)</sup> - 2,5/3W	400127-081 (♣)	400127-085 (♣)	400127-098 (115V/60-120V/60)	400127-097 (♣)	400127-091 (♣)	400904-541	400904-542	400904-544	400904-548
356 (1/8)	CM22-4W/6,9W F	400127-181 (♣)	400127-185 (♣)	400127-181 (115V/60-120V/60)	400127-197 (♣)	-	400127-141	400127-142	400127-144	400127-148
356 (1/4)	CM25-5W/5W F	400727-181 (♣)	400727-185 (♣)	400727-118 (115V/60)	400727-117 (130V/50)	-	400727-181	400727-185	400727-118	400727-117
190	C25A - 3W	43004469	43004473	43004471	43004472	-	43004469	43004473	43004471	43004472
	C25 - 3 W (M12)	-	-	-	-	-	-	43005525	-	-
192	C30A	43005604 (♣)	43005611	43005617 (115V/60-120V/60)	43005627	-	-	43005642	-	-
	C30 (M12)	-	-	-	-	-	-	43005664	-	-

<sup>(1)</sup> For high reliability in humid exterior environments

(♣)Bifrequency 50/60 Hz.

CM22-2,5/3W COIL with connector Example: series 356 (1/8)	C22 COIL with M12 connection Example: series 189	CM25-5/5W COIL with connector Example: series 356 (1/4)	C25 COIL with M12 connection Example: series 190	C30A COIL with connector Example: series 192	C30 COIL with M12 connector Example: series 192



## GENERAL

<b>Fluid</b>	Air or inert gas, non-lubricated, filtered at 25 µm
<b>Operating pressure</b>	7 bar max.
<b>Ambient temperature</b>	+5°C to +50°C
<b>Flow (Qv at 6 bar)</b>	See «SPECIFICATIONS»
<b>Manual operator</b>	Impulse-type (without manual operator on request)
<b>Switching time</b>	10 ms (<10 ms on request)

## CONSTRUCTION

<b>Body</b>	PA (polyamide) MXD6
<b>Internal parts</b>	Stainless steel, nickel-plated steel, synthetic material, aluminium
<b>Seals</b>	NBR (nitrile), FPM (fluoroelastomer) on request



## ELECTRICAL CHARACTERISTICS

voltage (other voltages on request)	consumption	insulation class	degree of protection	electrical connection
24V = 12V = 5V =	1W - 1,3W	F	IP 40	connector with two 0.5 mm <sup>2</sup> lead wires + built-in LED and electrical protection or cable ends, 0,5 m long
+10%, -15%				

The solenoid valves are designed for continuous operation within the maximum ambient temperature limits.

## SPECIFICATIONS

symbol	orifice size (mm)		flow		operating pressure (bar)		consumption (W)	type of electrical connection (*)	catalogue number
	1 → 2	2 → 3	at 6 bar l/min (ANR)	coefficient Kv	min.	max.			
<b>NC</b> 	0,5	0,7	8	0,12	0	8	1,3	1	<b>18801003</b>
								2	<b>18801076</b>
								3	<b>18801074</b>
								4	<b>18801078</b>
								5	<b>18801072</b>
	0,8	0,8	10	0,15	0	4	1,3	1	<b>18801081</b>
								2	<b>18801082</b>
								3	<b>18801083</b>
								4	<b>18801084</b>
1,0	1,0	12	0,18	0	2,5	1,3	5	<b>18801085</b>	
							1	<b>18801086</b>	
<b>NO</b> 	0,5	0,5	8	0,12	0	6	1,3	1	<b>18801063</b>
								2	<b>18801077</b>
								3	<b>18801075</b>
								4	<b>18801079</b>
								5	<b>18801073</b>
	0,8	0,8	10	0,15	0	3	1,3	1	<b>18801091</b>
								2	<b>18801092</b>
								3	<b>18801093</b>
								4	<b>18801094</b>
								5	<b>18801095</b>
	1,0	1,0	12	0,18	0	1,5	1,3	1	<b>18801096</b>
								2	<b>18801097</b>
								3	<b>18801098</b>
								4	<b>18801099</b>
								5	<b>18801100</b>

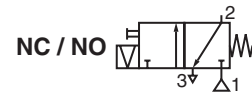
(\*) Type 1,2,3, 4 with LED and electrical protection  
1 = horizontal, width 5,08 mm  
2 = vertical, width 5,08 mm

3 = horizontal, width 2,54 mm  
4 = vertical, width 2,54 mm  
5 = cable ends 0,5 m long, 0,25 mm<sup>2</sup>



# MICRO SOLENOID VALVES

direct operated, with latching coil  
pad-mounting body  
for subbase M3/M5



**3/2**  
Series  
**188**  
Type  
Micro 10

## GENERAL

**Fluid** Air or inert gas, non-lubricated, filtered at 25 µm  
**Operating pressure** 8 bar max.  
**Ambient temperature** +5°C to +50°C  
**Flow (Qv at 6 bar)** See «SPECIFICATIONS»  
**Manual operator** Impulse-type (without manual operator on request)  
**Switching time** 10 ms (<10 ms on request)

## CONSTRUCTION

**Body** PA (polyamide) MXD6  
**Internal parts** Stainless steel, nickel-plated steel, synthetic material, aluminium  
**Seals** NBR (nitrile), FPM (fluoroelastomer) on request



## ELECTRICAL CHARACTERISTICS

voltage (other voltages on request)	consumption	insulation class	degree of protection	electrical connection
24V = 12V = (+10%, -15%) 5V =	1W - 1,3W	F	IP 40	connector with two 0.5 mm <sup>2</sup> lead wires + built-in LED and electrical protection or cable ends, 0,5 m long

The solenoid valves are designed for continuous operation within the maximum ambient temperature limits.

## SPECIFICATIONS

symbol	orifice size (mm)		flow		operating pressure (bar)		consumption (W)	type of electrical connection (*)	catalogue number
	1 → 2	2 → 3	at 6 bar l/min (ANR)	coefficient Kv	min.	max.			
	0,5	0,7	8	0,12	0	7	1,3	1	<b>18801101</b>
								2	<b>18801102</b>
								3	<b>18801103</b>
								4	<b>18801104</b>
								5	<b>18801105</b>
	0,8	0,8	10	0,15	0	3	1,3	1	<b>18801106</b>
								2	<b>18801107</b>
								3	<b>18801108</b>
								4	<b>18801109</b>
								5	<b>18801110</b>
	1,0	1,0	12	0,18	0	1	1,3	1	<b>18801111</b>
								2	<b>18801112</b>
								3	<b>18801113</b>
								4	<b>18801114</b>
								5	<b>18801115</b>

(\*) Type 1,2,3, 4 with LED and electrical protection

1 = horizontal, width 5,08 mm

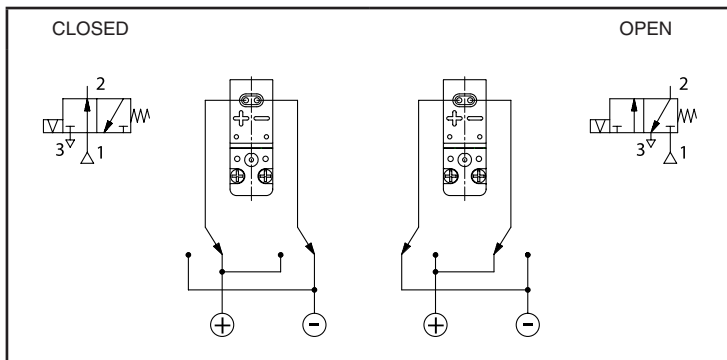
2 = vertical, width 5,08 mm

3 = horizontal, width 2,54 mm

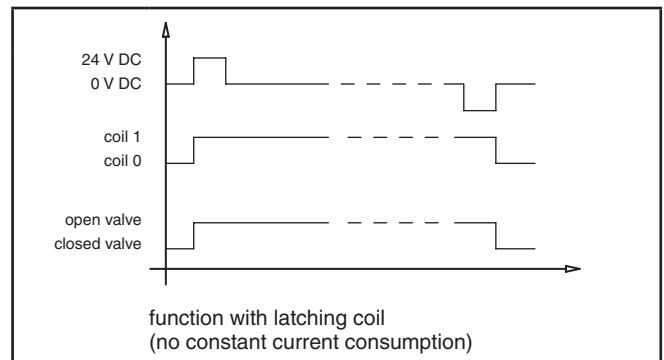
4 = vertical, width 2,54 mm

5 = cable ends 0,5 m long, 0,25 mm<sup>2</sup>

## WIRING DIAGRAM



## FUNCTIONAL DIAGRAM

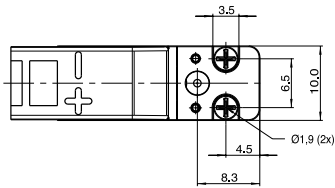
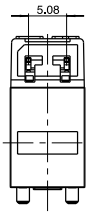
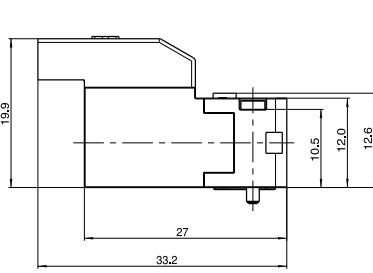


### DIMENSIONS (mm), WEIGHT (kg)



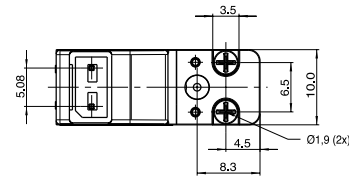
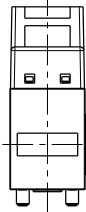
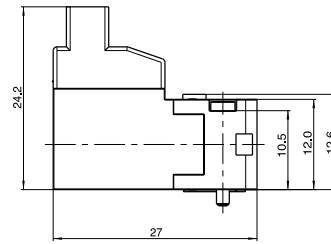
weight
0,0095

**type 1**



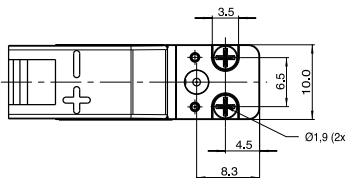
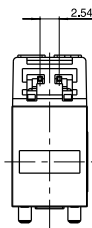
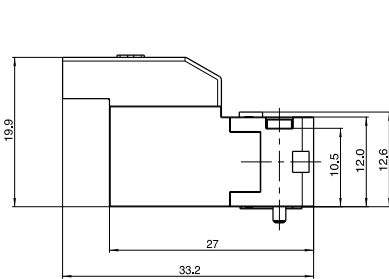
**Scale 1**

**type 2**



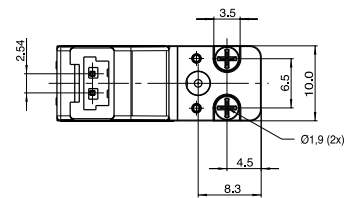
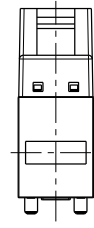
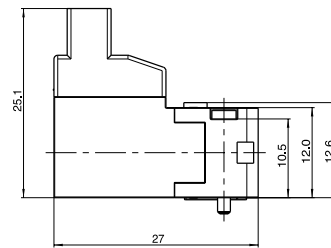
**Scale 1**

**type 3**



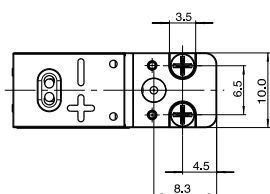
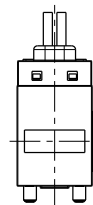
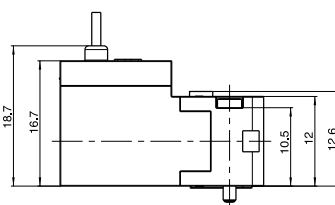
**Scale 1**

**type 4**



**Scale 1**

**type 5**



**Scale 1**

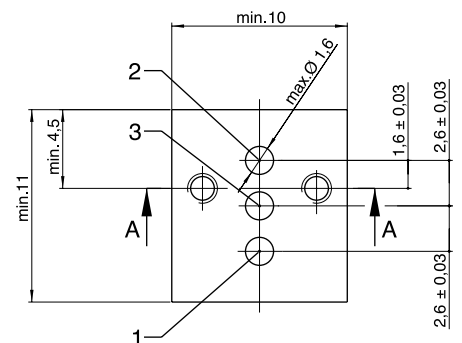
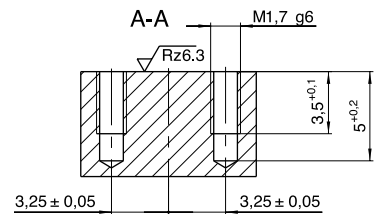
### flange facing

NO
3 = Pressure
2 = Outlet
1 = Exhaust

NC
1 = Pressure
2 = Outlet
3 = Exhaust

Use in vacuum (NO)
3 = Vacuum pump
2 = Outlet
1 = Atmosphere

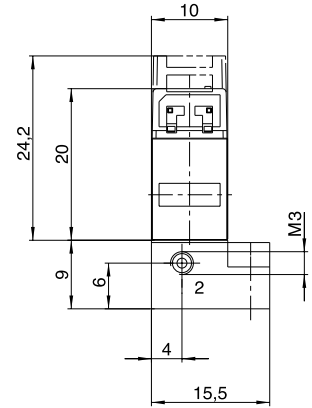
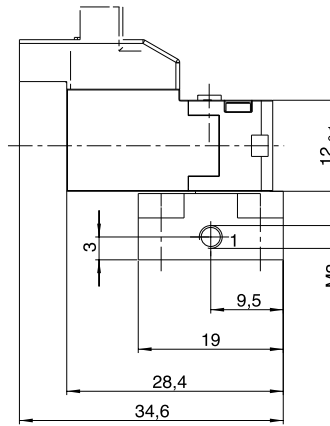
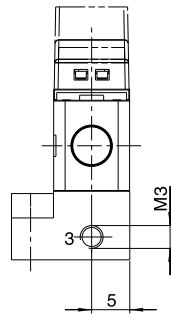
Use in vacuum (NC)
1 = Vacuum pump
2 = Outlet
3 = Atmosphere



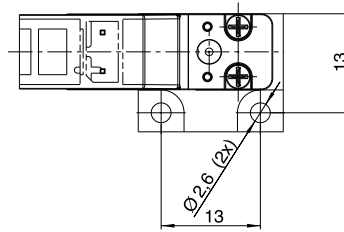
### DIMENSIONS (mm), WEIGHT (kg)

#### solenoid valve mounted on single subbase

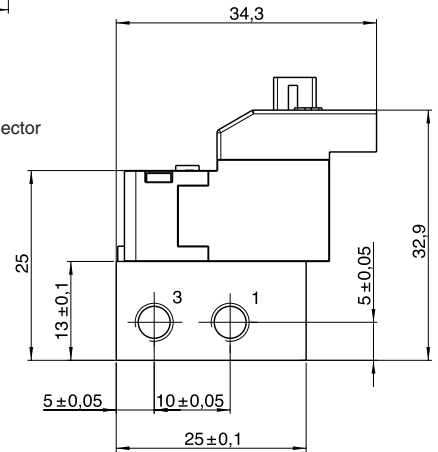
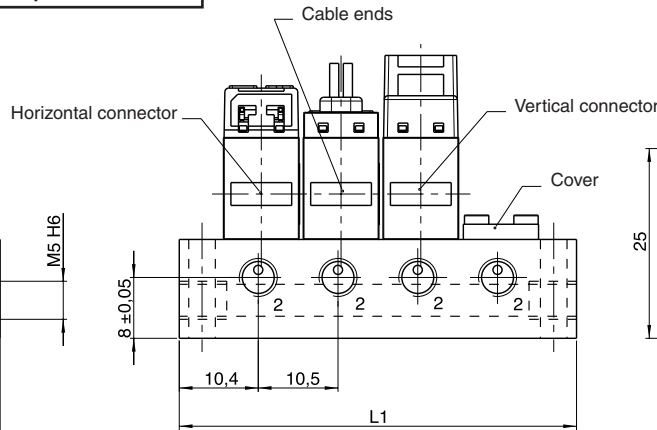
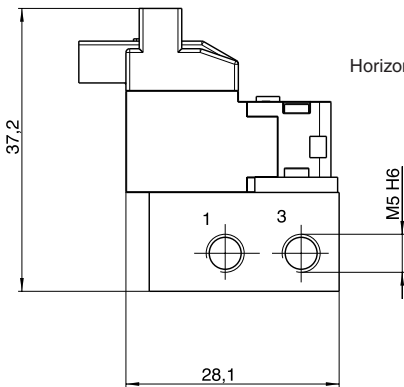
number of valves	subbase catalogue number*	weight
1	35300101	0,015



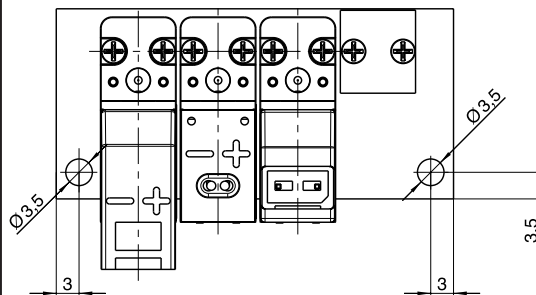
Scale 1



#### solenoid valve mounted on multiple subbase



number of valves	subbase catalogue number*	length		weight
		L1	L2	
2	35300102	33,5	27,5	0,051
3	35300103	44	38	0,069
4	35300104	54,5	48,5	0,086
5	35300105	65	59	0,104
6	35300106	75,5	69,5	0,122
7	35300107	86	80	0,139
8	35300108	96,5	90,5	0,156
9	35300109	107	101	0,175
10	35300110	117,5	111,5	0,193



Scale 1

A : Blanking plate, cat. no. **88135305**

\* The connectors must be ordered separately, please indicate the quantity and one of the following codes:

Connector, 2 wires

Distance between contacts 5,08 mm - length 0,5 m

- length 1,5 m

- length 3 m

Distance between contacts 2,54 mm - length 0,5 m

- length 1,5 m

- length 3 m

- catalogue number: **88118801**

- catalogue number: **88118802**

- catalogue number: **88118803**

- catalogue number: **88118806**

- catalogue number: **88118807**

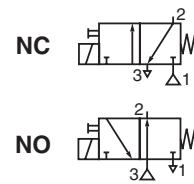
- catalogue number: **88118808**





# MICRO SOLENOID VALVES

direct operated, **Large Flow**  
pad-mounting body  
for subbase M5



**3/2**  
Series  
**188**  
Type  
Micro 10

## GENERAL

<b>Fluid</b>	Air or inert gas, non-lubricated, filtered at 25 µm ISO 8573-1: 2010 [6:4:4]
<b>Operating pressure</b>	10 bar max.
<b>Ambient temperature</b>	+5°C to +50°C
<b>Flow (Qv at 6 bar)</b>	See «SPECIFICATIONS»
<b>Switching time</b>	10 ms

## CONSTRUCTION

<b>Body</b>	PBT (polybutylene terephthalate)
<b>Internal parts</b>	Stainless steel synthetic material
<b>Seals</b>	FPM (fluoroelastomer)



## ELECTRICAL CHARACTERISTICS

voltage ± 10 % (other voltages on request)	power ratings <sup>1)</sup>		insulation class	degree of protection	electrical connection
	inrush	holding			
24V =	3,2 W	1,3 W	F	IP40	X1, X2, X3, X4, X5 *see Electrical Connection Type
12 V =					

The solenoid valves are designed for continuous operation within the maximum ambient temperature limits.

<sup>1)</sup> The valves are provided with power save electronics and LED which switch to holding power after 100 msec.

### \*Electrical Connection Type

X1 = type 1, horizontal, distance between contacts 5,08 mm

X2 = type 2, vertical, distance between contacts 5,08 mm

X3 = type 3, horizontal, distance between contacts 2,54 mm

X4 = type 4, vertical, distance between contacts 2,54 mm

X5 = type 5, two leads 0,5 m long, 0,25 mm<sup>2</sup>

Type 1,2,3,4,5 with LED, protection and power save electronics.

## SPECIFICATIONS

symbol	orifice size (mm)		flow		operating pressure (bar)		consumption (W)	catalogue number
	1 → 2	2 → 3	at 6 bar l/min (ANR)	coefficient Kv m <sup>3</sup> /h	min.	max.		
	1,0	1,0	13	0,012	0	10	1,3	<b>R188B213XXV11XX</b>
	1,3	1,3	29	0,027	0	6	1,3	<b>R188B214XXV11XX</b>
	1,6	1,6	42	0,039	0	3,5	1,3	<b>R188B215XXV11XX</b>
	1,0	1,0	13	0,012	0	8	1,3	<b>R188B223XXV11XX</b>
	1,3	1,3	29	0,027	0	4	1,3	<b>R188B224XXV11XX</b>
	1,6	1,6	42	0,039	0	1,5	1,3	<b>R188B225XXV11XX</b>

00233GB-2016/R02  
Availability, design and specifications are subject to change without notice. All rights reserved.

ORDERING

15-DIGIT PRODUCT CODE

**R** **188** **B** **1** **1** **1** **XX** **1** **0** **1** **XX**

**Fluid Connection Type**

R = Pad Mount

**Product Series**

188 = Series 188 Micro 10

**Revision**

B = Micro 10, Revision B (grey)

**Coil Size & Power-Save**

2 = 10 mm with power-save

**Valve Type**

1 = 3/2 NC

2 = 3/2 NO

**Valve Orifice**

3 = 1,0 mm

4 = 1,3 mm

5 = 1,6 mm

**Voltage**

F1 = 24 VDC

F3 = 12 VDC

**Manual Override**

1 = without manual override

**Fastening Screws**

0 = without screws

1 = with metric screws M1,7x12,5

2 = with selftapping screws KB18x14

**Sealing Material**

V = FPM

**Electrical Connection Type**

X1 = Type 1, horizontal 5,08 mm

X2 = Type 2, vertical 5,08 mm


X3 = Type 3, horizontal 2,54 mm

X4 = Type 4, vertical 2,54 mm

X5 = Type 5, 2 leads 0,5 m x 0,25 mm<sup>2</sup>

**ORDERING EXAMPLE:** R188B213X1V11F1 = pad mount, series 188, Micro 10 Revision B (grey), with power-save, 3/2 NC, orifice 1,0 mm, Type 1, FPM, M 1,7 x 12,5, without manual override, 24 VDC

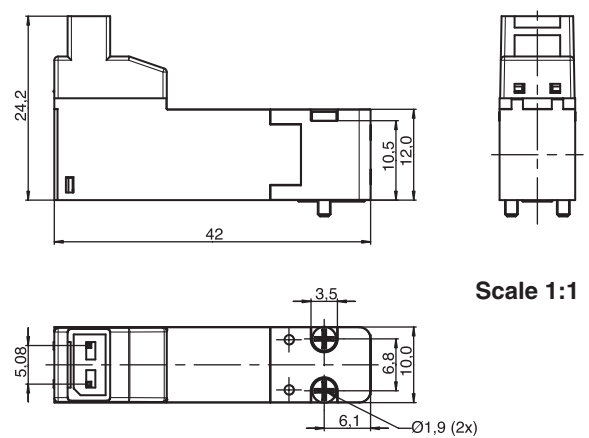
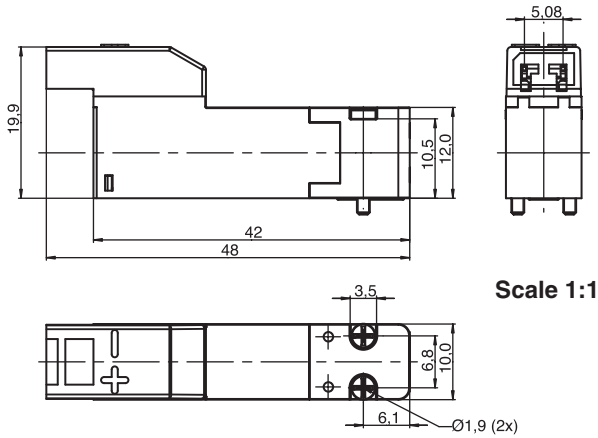


**DIMENSIONS (mm), WEIGHT (kg)** 

weight
0,0017

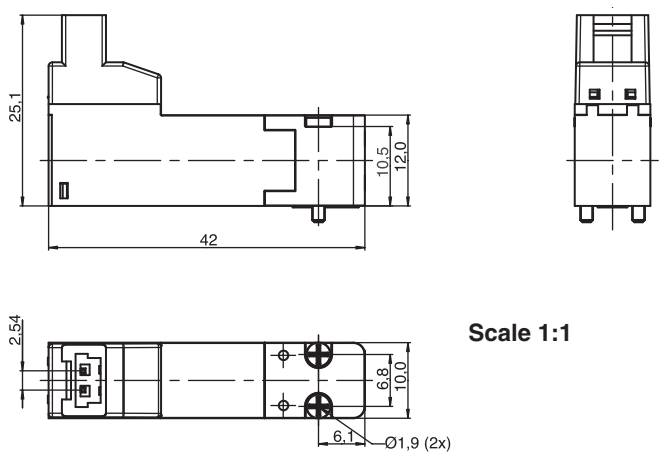
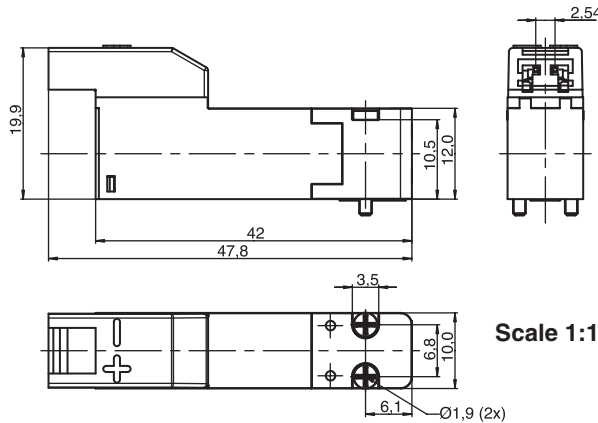
**type 1**

**type 2**



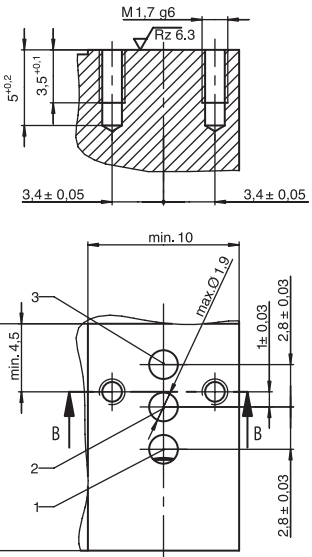
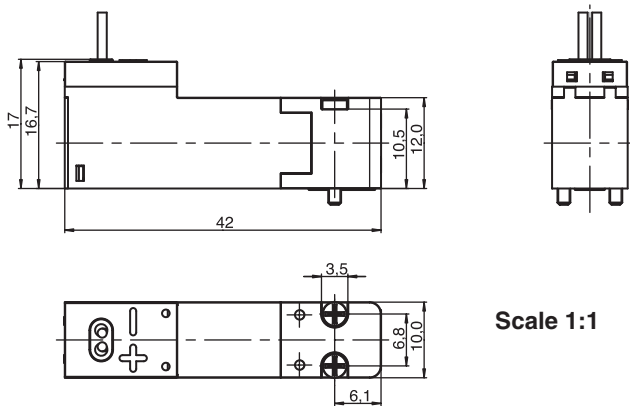
**type 3**

**type 4**



**type 5**

**flange facing**

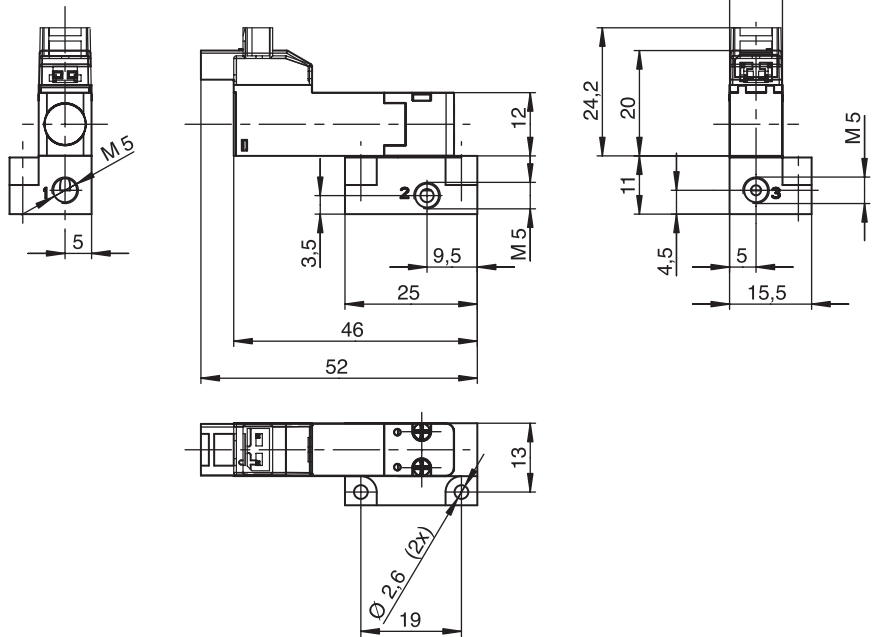


00233GB-2016/R01  
Availability, design and specifications are subject to change without notice. All rights reserved.

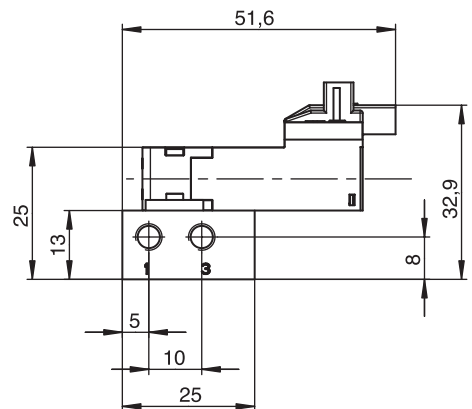
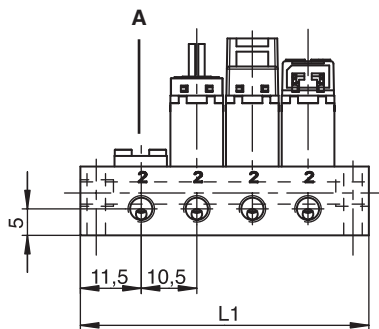
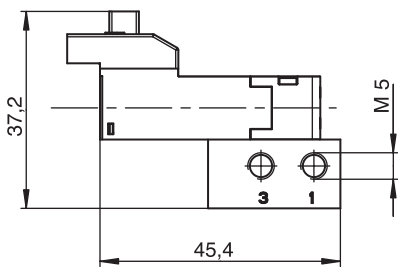
**DIMENSIONS (mm), WEIGHT (kg) (kg)**

**solenoid valve mounted on single subbase**

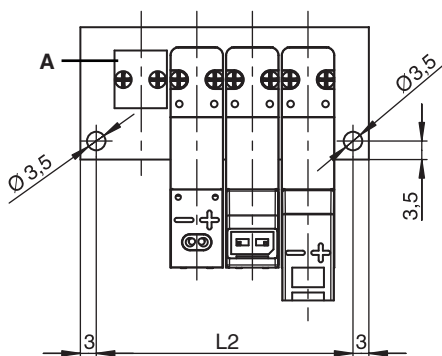
number of valves	subbase catalogue number*	weight
1	35300207	0,027



**solenoid valve mounted on multiple subbase**



number of valves	subbase catalogue number*	length		weight
		L1	L2	
2	35300198	35,7	29,7	0,066
3	35300199	46,2	40,2	0,091
4	35300200	56,7	50,7	0,116
5	35300201	67,2	61,2	0,141
6	35300202	77,7	71,7	0,167
7	35300203	88,2	82,2	0,191
8	35300204	98,7	92,7	0,216
9	35300205	109,2	103,2	0,242
10	35300206	119,7	113,7	0,268



A: Blanking plate, catalogue number: 513697-001

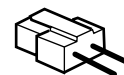
\* The connectors must be ordered separately, please indicate the quantity and one of the following codes:

Connector, 2 wires

Distance between contacts 5,08 mm - length 0,5 m  
 - length 1,5 m  
 - length 3 m

Distance between contacts 2,54 mm - length 0,5 m  
 - length 1,5 m  
 - length 3 m

- catalogue number: **88118801**  
 - catalogue number: **88118802**  
 - catalogue number: **88118803**  
 - catalogue number: **88118806**  
 - catalogue number: **88118807**  
 - catalogue number: **88118808**

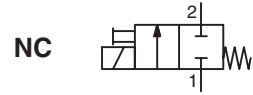




# MINI-SOLENOID VALVES

ISO 15218 (CNOMO, size 15) interface  
direct operated, pad mounting body  
connector size 15

2/2  
Series  
302



## FEATURES

- Compact, monobloc solenoid pilot valve with spade-plug connector type EN 175301-803, industry standard form C, with 9,4 mm spacing, or to EN 175301-803, form C, with 8 mm spacing
- Version with or without integrated LED and electrical protection  
LED indicator visible from 3 sides
- The solenoid valves satisfy all relevant EU directives

## GENERAL

**Differential pressure** See «SPECIFICATIONS» [1 bar = 100 kPa]  
**Pneumatic base** ISO 15218 (CNOMO E06.36.120N, size 15)  
**Connection** Subbase  
**Response time** 8 - 15 ms

fluids (*)	temperature range (TS)	seal materials (*)
air or inert gas	-25°C to +60°C (LP2) <sup>(1)</sup>	NBR (nitrile)
filtered at 50 µm, lubricated or not	-25°C to +60°C / +50°C (LP3) <sup>(1)</sup>	FPM (fluoroelastomer)

<sup>(1)</sup> LP2, LP3: see "electrical characteristics" table

## MATERIALS IN CONTACT WITH FLUID

(\*) Ensure that the compatibility of the fluids in contact with the materials is verified

**Body** PARA  
**Internal parts** POM, PET, stainless steel and brass  
**Seals** NBR (disc), FPM (others)  
**Pneumatic interface seal** TPE

## OTHER MATERIALS

**Coil** Thermoplastic PET

## ELECTRICAL CHARACTERISTICS

**Coil insulation class** F  
**Connector** Spade plug (cable Ø 4-6 mm)  
**Connector specification** EN 175301-803, industry standard form B (9,4 mm) or EN 175301-803, form C (8 mm)  
IEC 335

**Electrical safety**  
**Electrical enclosure protection** Moulded IP65 (EN 60529)  
**Standard voltages** DC (=): 24V  
(Other voltages on request) AC (~): 24V - 115V - 230V / 50-60 Hz

power ranges	coils		power ratings (↔)				operator ambient temperature range <sup>(3)</sup> (TS) (°C)	type <sup>(2)</sup>
	voltages (V)		inrush ~	holding ~	hot/cold =			
	~	=	(VA)	(VA)	(W)	(W)		
LP2	24-115	24	1,4	1,2	1,1	1 / 1,2	-25 to +60	01
LP3	230	24	2,1	1,6	1,5	2 / 2,65	-25 to +60 (~)/+50 (=) <sup>(3)</sup>	

<sup>(2)</sup> Refer to the dimensional drawings on the following page.

<sup>(3)</sup> With LED and joinable subbase mounting, see following pages

## SPECIFICATIONS

orifice size (mm)	flow				operating pressure differential (bar)		power ranges	basic catalogue number			
	at 6 bar l/min (ANR)		coefficient Kv					manual operator		impulse	
	1 → 2	2 → 3	1 → 2	2 → 3	min.	max. (PS)		9,4 mm	8 mm	9,4 mm	8 mm
	~	=	=	=	=	=	~	=	~	=	
<b>NC - Normally closed (Without LED and protection)</b>											
0,6	11	20	0,11	0,26	0	10	LP2	30211007	30210007	30211008	30210008
0,8	17	28	0,22	0,35	0	8	LP2	30211010	30210010	30211011	30210011
1,1	32	51	0,35	0,50	0	5	LP2	30211016	30210016	30211017	30210017
					0	10	LP3	30211019	30210019	30211020	30210020
1,5	39	53	0,50	0,56	0	3	LP2	30211022	30210022	30211023	30210023
					0	6	LP3	30211025	30210025	30211026	30210026
<b>NC - Normally closed (With LED and protection) <sup>(4)</sup></b>											
0,6	11	20	0,11	0,26	0	10	LP2	30215007	30214007	30215008	30214008
0,8	17	28	0,22	0,35	0	8	LP2	30215010	30214010	30215011	30214011
1,1	32	51	0,35	0,50	0	5	LP2	30215016	30214016	30215017	30214017
					0	10	LP3	30215019	-	30215020	-
1,5	39	53	0,50	0,56	0	3	LP2	30215022	30214022	30215023	30214023
					0	6	LP3	30215025	-	30215026	-

<sup>(4)</sup> Only available in 24 V AC/DC and 115 V AC.

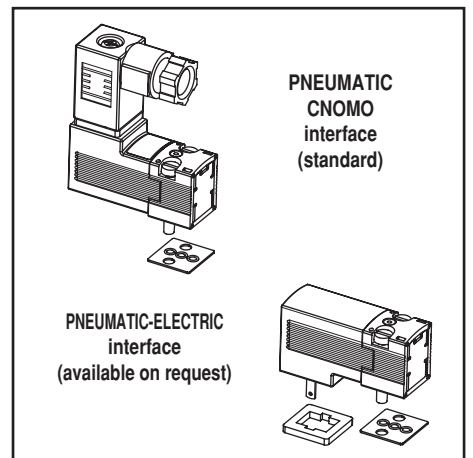
When ordering, please specify in addition to the basic catalogue number:

the type of current: voltage / frequency + the version: with or without connector

	~	=
with connector	--A	--D
without connector	--L	--P

to be inserted after the basic catalogue number

Examples: • with connector 24V DC : 30211007--D 24V DC  
• without connector 24V DC : 30211007--P 24V DC



(↔) Nominal power ratings of versions without LED indicator and electrical protection.

For versions with LED indicator and electrical protection, add:  
0,15 W with DC (=)  
0,4 W / VA with AC (-)

### OPTIONS AND ACCESSORIES

- Seals and disc made of FPM (fluoroelastomer)
- Versions without manual operator and NO (Normally Open): contact us
- Version with pneumatic-electric interface
- Version 12 V DC, LP2, connector EN 175301-803, industry standard form C (9,4 mm)
- **Connector EN 175301-803, form C (8 mm):**
  - standard: catalogue number **88130211**
  - with cable 2 m length: Contact us
- **Connector EN 175301-803, industry standard form C (9,4 mm):**
  - standard: catalogue number **88143581**
  - with cable 2 m length: catalogue number **88143567**
- Explosionproof enclosures for use in zones 0/20-1/21-2/22, categories 1-2-3 to ATEX-Directive 2014/34/EU (see "Explosionproof solenoids" section)

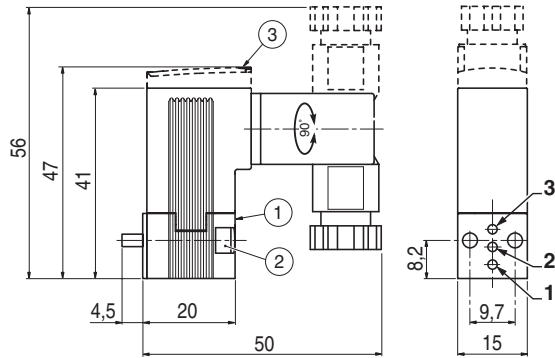
### INSTALLATION

- The solenoid valves can be mounted in any position without affecting operation
- Solenoid valve supplied with mounting screws and mounting pad seal(s)
- Installation/maintenance instructions are included with each valve

### DIMENSIONS (mm), WEIGHT (kg)



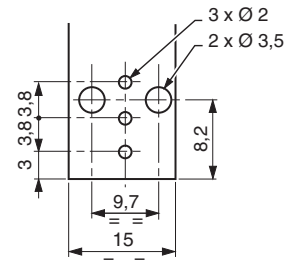
**TYPE 01**  
IEC 335 / EN 175301-803  
IP65



function	connection		
	1	2	3
NC	P	O	-

P: Pressure  
O: Outlet

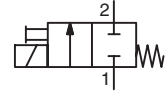
Subbase mounting surface: ISO 15218  
(CNOMO E06.36.120N, size 15)



- ① Manual operator location
- ② 2 mounting screw M3 x 20
- ③ Version with LED and electrical protection

weight <sup>(1)</sup>
0,047

<sup>(1)</sup> with standard connector.



## FEATURES

- Compact, monobloc solenoid pilot valve with M12 connector or cable ends
- Version with integrated LED indicator and electrical protection.  
LED indicator visible from 3 sides
- The solenoid valves satisfy all relevant EU directives

## GENERAL

<b>Differential pressure</b>	See «SPECIFICATIONS» [1 bar = 100 kPa]
<b>Pneumatic base</b>	ISO 15218 (CNOMO E06.36.120N, size 15)
<b>Connection</b>	Subbase
<b>Response time</b>	8 - 15 ms

fluids (*)	temperature range (TS)	seal materials (*)
air or inert gas filtered at 50 µm, lubricated or not	-25°C to +60°C (LP2) <sup>(1)</sup>	NBR (nitrile) FPM (fluoroelastomer)

<sup>(1)</sup> LP2: see "electrical characteristics" table

## MATERIALS IN CONTACT WITH FLUID

(\*) Ensure that the compatibility of the fluids in contact with the materials is verified

<b>Body</b>	PAA
<b>Internal parts</b>	POM, PET, stainless steel and brass
<b>Pneumatic interface seal</b>	TPE

## OTHER MATERIALS

<b>Coil</b>	Thermoplastic PET
-------------	-------------------

## ELECTRICAL CHARACTERISTICS

<b>Coil insulation class</b>	F
<b>Connection</b>	Connector M12 or cable ends
<b>Electrical safety</b>	IEC 335
connector M12	CNOMO E03.62.520.N
cable ends	EN 60730
<b>Electrical enclosure protection</b>	Moulded IP67 (EN 60529)
<b>Standard voltages</b>	DC (=) : 24V

power ranges	coils		power ratings (⇧)			operator ambient temperature range <sup>(3)</sup> (TS) (°C)	type <sup>(2)</sup>
	voltages (V)		inrush	holding	hot/cold		
LP2	~	=	(VA)	(VA) (W)	(W)	-25 to +60	01-02-03
	-	24	-	-	1,15 / 1,35		

<sup>(2)</sup> Refer to the dimensional drawings on the following page. <sup>(3)</sup> For joinable subbase mounting, see pages suivantes.

## SPECIFICATIONS

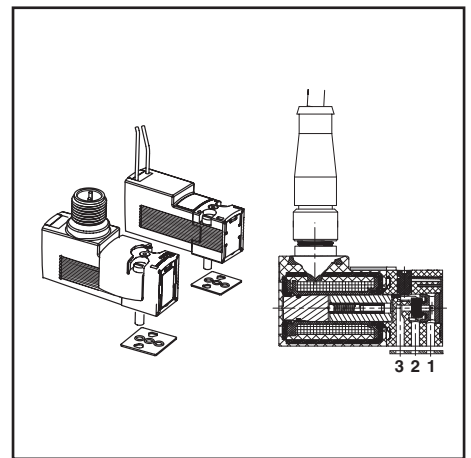
orifice size (mm)	flow				operating pressure differential (bar)		power ranges	basic catalogue number	
	at 6 bar l/min (ANR)		coefficient Kv		min.	max. (PS)		impulse	manual operator maintained
	1 → 2	2 → 3	1 → 2	2 → 3					
<b>NC - Normally closed, connection M12 + LED and protection</b>									
1,5	39	53	0,50	0,56	0	3	LP2	30212022	30212023
<b>NC - Normally closed, cable ends + LED and protection</b>									
1,5	39	53	0,50	0,56	0	3	LP2	30213022	30213023

When ordering:

	M12	cable
with connector	--D	<input checked="" type="checkbox"/>
without connector	--P	<input checked="" type="checkbox"/>
complete	<input checked="" type="checkbox"/>	--D

} to be inserted after the basic catalogue number

- Examples:
- M12 with connector : **30212022--D**
  - M12 without connector : **30212022--P**
  - cable ends : **30213022--D**



(⇧) Nominal power ratings of standard versions (with LED indicator and electrical protection)

### OPTIONS AND ACCESSORIES

- Seals and disc made of FPM (fluoroelastomer)
- Versions without manual operator and NO (Normally Open): contact us
- Version with pneumatic-electric interface
- Straight M12 connector:
  - with 5 m cable length: catalogue number **88130212**
- Explosionproof enclosures for use in zones 0/20-1/21-2/22, categories 1-2-3 to ATEX-Directive 2014/34/EU (see "Explosionproof solenoids" section)

### INSTALLATION

- The solenoid valves can be mounted in any position without affecting operation
- Solenoid valve supplied with mounting screws and mounting pad seal(s)
- Installation/maintenance instructions are included with each valve

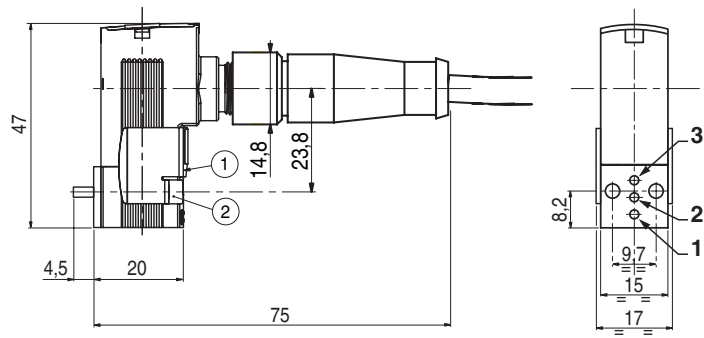
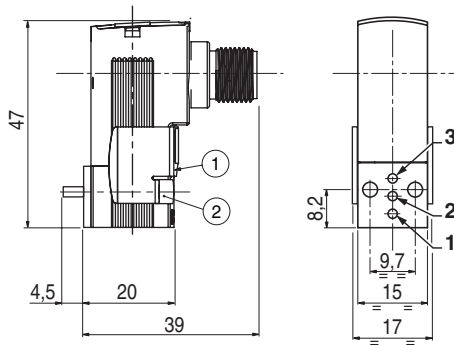
### DIMENSIONS (mm), WEIGHT (kg)



**TYPE 01**  
IEC 335  
Connection M12  
IP67



**TYPE 02**  
IEC 335  
Straight M12 connector, 5 m cable length  
IP67



- ① Manual operator location.
- ② 2 mounting screw M3 x 20

M12 <sup>(1)</sup>		weight	cable ends
<sup>(1)</sup>	<sup>(2)</sup>		
0,049	0,288		0,040

- <sup>(1)</sup> Without connector
- <sup>(2)</sup> With connector

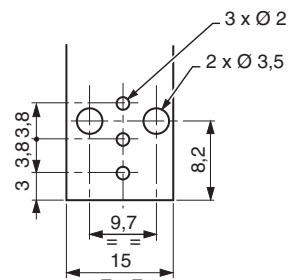
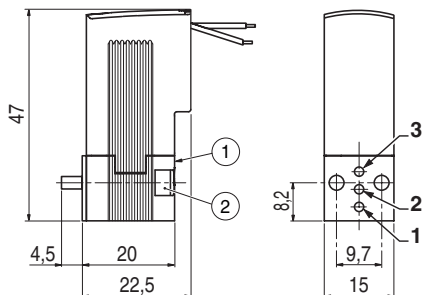
function	connection		
	1	2	3
NC	P	O	-

P: Pressure      O: Outlet

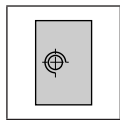


**TYPE 03**  
IEC 335  
Cable ends 0,3 m length  
IP67

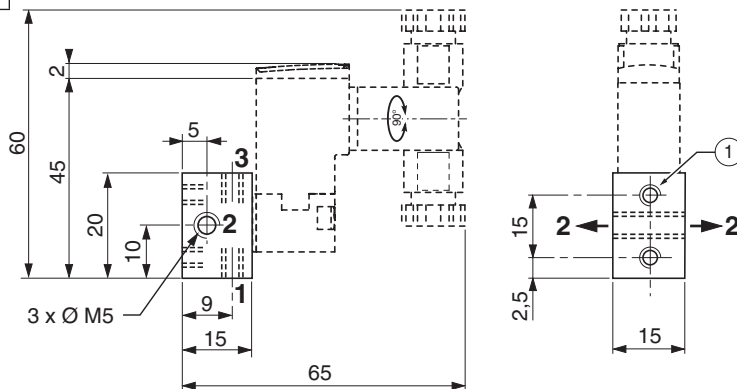
Subbase mounting surface: ISO 15218  
(CNOMO E06.36.120N, size 15)



### DIMENSIONS (mm), WEIGHT (kg)



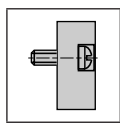
#### Single subbase Aluminium or brass



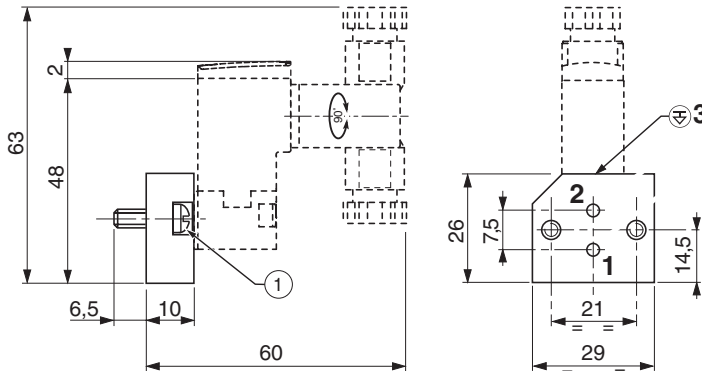
- ① Mounting: 2 holes M3, depth 4,5  
Orifice (2) can be connected on the left or on the right of the subbase.

material	catalogue number	weight <sup>(1)</sup>
aluminium	<b>88263002</b>	0,011
brass	<b>30300001</b>	0,034

<sup>(1)</sup> subbase alone



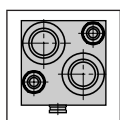
#### Adapter CNOMO size 30 (only for NC version) Aluminium



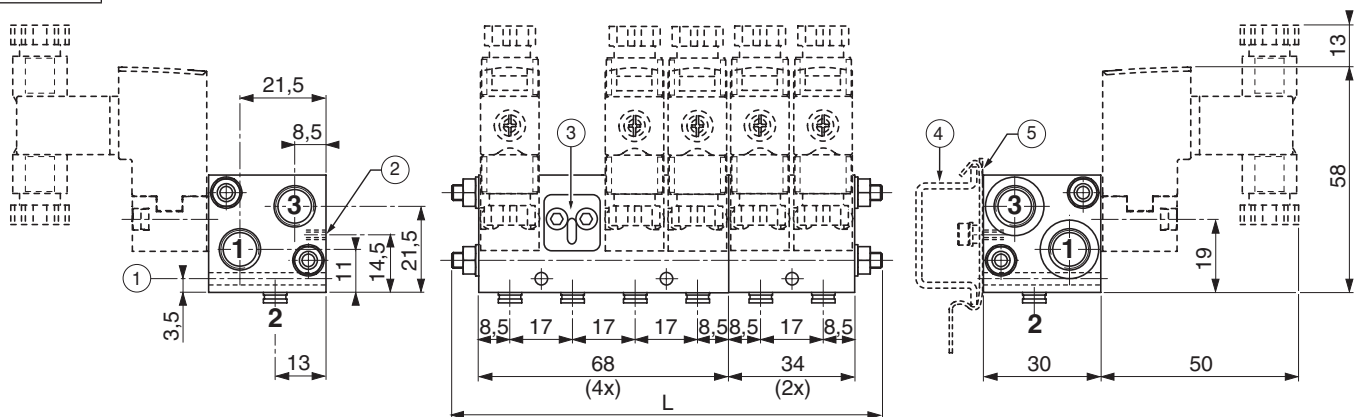
- ① Mounting: 2 screws M4 x 10 (supplied)

catalogue number	weight <sup>(2)</sup>
<b>88263001</b>	0,018

<sup>(2)</sup> adapter alone



#### Joinable subbases Aluminium



Ports 1 and 3: G1/8

Port 2: coupling for 4mm OD tube

- ① Fixing hole Ø 3,2 (2 for 4x ; 1 for 2x)
- ② Fixing hole M3, depth 8 (2 for 4x ; 1 for 2x)
- ③ Mating surface blanking plates (option)
- ④ TS35 DIN rail (not supplied)
- ⑤ Clip for DIN rail mounting (option)

catalogue number	x	subbases	L	weight <sup>(3)</sup>
<b>35500564</b>	2	2x	-	0,076
<b>35500565</b>	4	4x	-	0,148
<b>35500566</b>	6	4x + 2x	114	0,236
<b>35500567</b>	8	4x + 4x	148	0,313
<b>35500568</b>	10	4x + 4x + 2x	182	0,389
<b>35500569</b>	12	4x + 4x + 4x	216	0,466

<sup>(3)</sup> subbases alone

x = place for mini-solenoid valves.

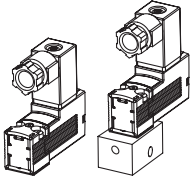
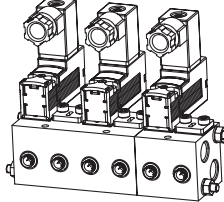
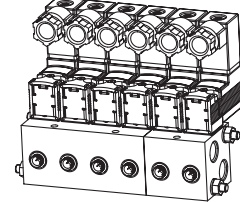
2 plugs R1/8 supplied.

All leaflets are available on: [www.asco.com](http://www.asco.com)

**OPTIONS AND ACCESSORIES**

- Additional subbase with 2 places (with seals): catalogue number **35500570**
- 2 tie-rods + nuts for a subbase with:  
 4 places: catalogue number **88100752**  
 6 places: catalogue number **88100753**  
 8 places: catalogue number **88100754**  
 10 places: catalogue number **88100755**  
 12 places: catalogue number **88100756**
- Mounting kit for DIN rail (2 clips + screws + washers): catalogue number **88100757**
- Mating surface blanking plate: catalogue number **88130203**

**AMBIENT TEMPERATURE RANGES**

current type	power range	power coil		version				
		inrush/holding (VA) ~	hot/cold (W) =					
<b>DC (=)</b>	LP2 <sup>(1)</sup>	-	1/1,2	standard	-25°C ; +60°C	-25°C ; +60°C	-25°C ; +60°C	
		-	1,15/1,35	LED + protection			-25°C ; +40°C	
	LP3 <sup>(2)</sup>	-	2/2,65	standard			-25°C ; +50°C	-25°C ; +40°C
		-	2,15/2,8	LED + protection			-25°C ; +40°C	-
<b>AC (~)</b>	LP2 <sup>(2)</sup>	1,4/1,2	-	standard	-25°C ; +60°C	-25°C ; +40°C	-25°C ; +40°C	
		1,8/1,6	-	LED + protection			-25°C ; +60°C	-25°C ; +40°C
	LP3 <sup>(2)</sup>	2,1/1,6	-	standard			-25°C ; +50°C	-
		2,5/2	-	LED + protection			-25°C ; +60°C	-25°C ; +40°C

<sup>(1)</sup> Voltage: -15% / +20%

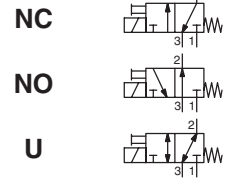
<sup>(2)</sup> Voltage: -15% / +10%





# MINI-SOLENOID VALVES

ISO 15218 (CNOMO, size 15) interface  
direct operated, pad mounting body  
connector size 15



**3/2**  
Series  
**302**

## FEATURES

- Compact, monobloc solenoid pilot valve with spade-plug connector type EN 175301-803, industry standard form C, with 9,4 mm spacing, or to EN 175301-803, form C, with 8 mm spacing
- Version with or without integrated LED and electrical protection  
LED indicator visible from 3 sides
- The solenoid valves satisfy all relevant EU directives

## GENERAL

**Differential pressure**  
**Pneumatic base**  
**Connection**  
**Response time**

See «SPECIFICATIONS» [1 bar = 100 kPa]  
ISO 15218 (CNOMO E06.36.120N, size 15)  
Subbase  
8 - 15 ms

fluids (*)	temperature range (TS)	seal materials (*)
air or inert gas filtered at 50 µm, lubricated or not	-10°C to +50°C (LP1) <sup>(1)</sup>	NBR (nitrile) FPM (fluoroelastomer)
	-25°C to +60°C (LP2) <sup>(1)</sup>	
	-25°C to +60°C / +50°C (LP3) <sup>(1)</sup>	

<sup>(1)</sup> LP1, LP2, LP3: see "electrical characteristics" table

## MATERIALS IN CONTACT WITH FLUID

(\*) Ensure that the compatibility of the fluids in contact with the materials is verified

**Body** PARA  
**Internal parts** POM, PET, stainless steel and brass  
**Seals** NBR (disc), FPM (others)  
**Pneumatic interface seal** TPE

## OTHER MATERIALS

**Coil** Thermoplastic PET

## ELECTRICAL CHARACTERISTICS

**Coil insulation class** F  
**Connector** Spade plug (cable Ø 4-6 mm)  
**Connector specification** EN 175301-803, industry standard form B (9,4 mm)  
or EN 175301-803, form C (8 mm)

**Electrical safety** IEC 335  
**Electrical enclosure protection** Moulded IP65 (EN 60529)  
**Standard voltages** DC (=): 24V  
(Other voltages on request) AC (~): 24V - 115V - 230V / 50-60 Hz

power ranges	coils		power ratings (↔)			operator ambient temperature range <sup>(3)</sup> (TS) (°C)	type <sup>(2)</sup>
	voltages (V)		inrush	holding	hot/cold		
LP1	-	24	-	-	-	0,5 / 0,55	-10 to +50
LP2	24-115	24	1,4	1,2	1,1	1 / 1,2	-25 to +60
LP3	230	24	2,1	1,6	1,5	2 / 2,65	-25 to +60 (-)/+50 (=) <sup>(3)</sup>

<sup>(2)</sup> Refer to the dimensional drawings on the following page. <sup>(3)</sup> With LED and joinable subbase mounting, see following pages

## SPECIFICATIONS (NO and U, following page)

orifice size (mm)	flow				operating pressure differential (bar)		power ranges	basic catalogue number				
	at 6 bar l/min (ANR)		coefficient Kv		min.	max. (PS)		manual operator				
	1 → 2	2 → 3	1 → 2	2 → 3				impulse		maintained		
								9,4 mm	8 mm	9,4 mm	8 mm	
	~	=						~	=	~	=	
<b>NC - Normally closed (Without LED and protection)</b>												
0,6	11	20	0,11	0,26	0	8	LP1	-	30211106	-	30211107	-
					0	10	LP2	30211109	30210109	30211110	30210110	
0,8	17	28	0,22	0,35	0	8	LP2	30211112	30210112	30211113	30210113	
					0	5	LP2	30211118	30210118	30211119	30210119	
					0	10	LP3	30211121	30210121	30211122	30210122	
1,5	39	53	0,50	0,56	0	3	LP2	30211124	30210124	30211125	30210125	
					0	6	LP3	30211127	30210127	30211128	30210128	
<b>NC - Normally closed (With LED and protection) <sup>(4)</sup></b>												
0,6	11	20	0,11	0,26	0	10	LP2	30215109	30214109	30215110	30214110	
0,8	17	28	0,22	0,35	0	8	LP2	30215112	30214112	30215113	30214113	
					0	5	LP2	30215118	30214118	30215119	30214119	
					0	10	LP3	30215121	-	30215122	-	
					0	3	LP2	30215124	30214124	30215125	30214125	
					0	6	LP3	30215127	-	30215128	-	

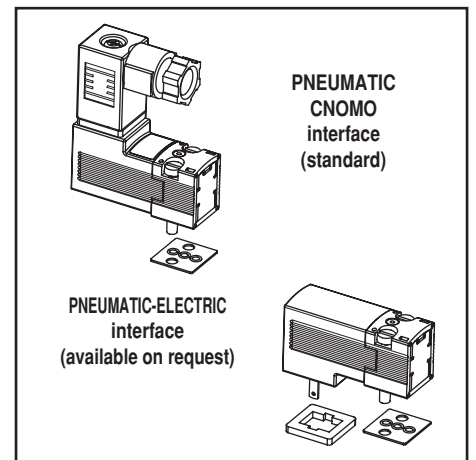
<sup>(4)</sup> Only available in 24 V AC/DC and 115 V AC.

When ordering, please specify in addition to the basic catalogue number:  
the type of current: voltage / frequency + the version: with or without connector

	~	=
with connector	--A	--D
without connector	--L	--P

to be inserted after  
the basic catalogue number

Examples: • with connector 24V DC : **30211109--D** 24V DC  
• without connector 24V DC : **30211109--P** 24V DC



00075GB-2017/R01  
Availability, design and specifications are subject to change without notice. All rights reserved.

All leaflets are available on: [www.asco.com](http://www.asco.com)

**SPECIFICATIONS: NO, U**

orifice size (mm)	flow				operating pressure differential (bar)		power ranges	basic catalogue number					
	at 6 bar l/min (ANR)		coefficient Kv					manual operator		impulse			
	1 → 2	2 → 3	1 → 2	2 → 3	min.	max. (PS)		9,4 mm	8 mm	9,4 mm	8 mm		
								~	=	=	~	=	=
<b>NO - Normally open (Without LED and protection)</b>													
0,8	20	17	0,26	0,20	0	8	LP2	30211130	30210130	30211131	30210131		
					0	10	LP3	30211133	30210133	30211134	30210134		
1	28	32	0,35	0,35	0	5	LP2	30211136	30210136	30211137	30210137		
					0	8	LP3	30211139	30210139	30211140	30210140		
1,5	53	39	0,56	0,50	0	2	LP2	30211142	30210142	30211143	30210143		
					0	6	LP3	30211145	30210145	30211146	30210146		
<b>NO - Normally open (With LED and protection)<sup>(5)</sup></b>													
0,8	20	17	0,26	0,20	0	8	LP2	30215130	30214130	30215131	30214131		
					0	10	LP3	30215133	30214133	30215134	30214134		
1	28	32	0,35	0,35	0	5	LP2	30215136	30214136	30215137	30214137		
					0	8	LP3	30215139	-	30215140	-		
1,5	53	39	0,56	0,50	0	2	LP2	30215142	30214142	30215143	30214143		
					0	6	LP3	30215145	-	30215146	-		
	1 ↔ 2	2 ↔ 3	1 ↔ 2	2 ↔ 3									
<b>U - universal (Without LED and protection)</b>													
0,8	17	20	0,20	0,26	0	6	LP2	30211148	30210148	30211149	30210149		
<b>U - universal (With LED and protection)<sup>(5)</sup></b>													
0,8	17	20	0,20	0,26	0	6	LP2	30215148	30214148	30215149	30214149		

<sup>(5)</sup> Only available in 24 V AC/DC and 115 V AC.

When ordering, please specify in addition to the basic catalogue number:

the type of current: voltage / frequency + the version: with or without connector

	~	=
with connector	--A	--D
without connector	--L	--P

{ to be inserted after  
the basic catalogue number

Examples: • with connector 24V DC : **30211130--D** 24V DC  
• without connector 24V DC : **30211130--P** 24V DC

**OPTIONS AND ACCESSORIES**

- Seals and disc made of FPM (fluoroelastomer)
- Versions without manual operator and Uv (Universal vacuum): contact us
- Version with pneumatic-electric interface
- Version 12 V DC, LP2, connector EN 175301-803, industry standard form C (9,4 mm)
- [Connector EN 175301-803, form C \(8 mm\)](#):
  - standard: catalogue number **88130211**
  - with cable 2 m length: Contact us
- [Connector EN 175301-803, industry standard form C \(9,4 mm\)](#):
  - standard: catalogue number **88143581**
  - with cable 2 m length: catalogue number **88143567**
- Explosionproof enclosures for use in zones 0/20-1/21-2/22, categories 1-2-3 to ATEX-Directive 2014/34/EU (see "Explosionproof solenoids" section)

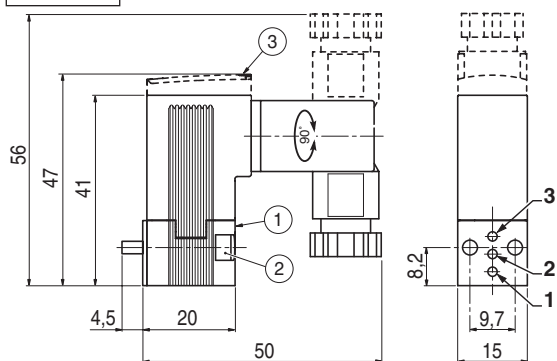
**INSTALLATION**

- The solenoid valves can be mounted in any position without affecting operation
- Solenoid valve supplied with mounting screws and mounting pad seal(s)
- Installation/maintenance instructions are included with each valve

**DIMENSIONS (mm), WEIGHT (kg)**

**TYPE 01**

IEC 335 / EN 175301-803  
IP65

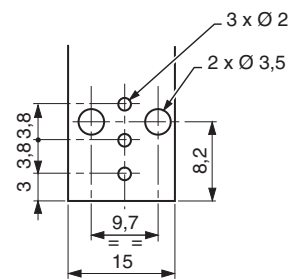


function	connection		
	1	2	3
universal	NC	P	O
	NO	E	P
universal	MIX	P2	P1
	SEL	O 2	O 1

P: Pressure  
E: Exhaust

O: Outlet

Subbase mounting surface: ISO 15218  
(CNOMO E06.36.120N, size 15)



- 1 Manual operator location
- 2 2 mounting screw M3 x 20
- 3 Version with LED and electrical protection

<b>weight<sup>(1)</sup></b>
0,047

<sup>(1)</sup> with standard connector.

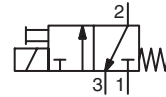
All leaflets are available on: [www.asco.com](http://www.asco.com)



# MINI-SOLENOID VALVES

ISO 15218 (CNOMO, size 15) interface  
direct operated, pad mounting body  
connection M12 or with cable ends

NC



3/2  
Series  
302

## FEATURES

- Compact, monobloc solenoid pilot valve with M12 connector or cable ends
- Version with integrated LED indicator and electrical protection.  
LED indicator visible from 3 sides
- The solenoid valves satisfy all relevant EU directives

## GENERAL

**Differential pressure** See «SPECIFICATIONS» [1 bar = 100 kPa]  
**Pneumatic base** ISO 15218 (CNOMO E06.36.120N, size 15)  
**Connection** Subbase  
**Response time** 8 - 15 ms

fluids (*)	temperature range (TS)	seal materials (*)
air or inert gas filtered at 50 µm, lubricated or not	-25°C to +60°C (LP2) <sup>(1)</sup>	NBR (nitrile) FPM (fluoroelastomer)

<sup>(1)</sup> LP2: see "electrical characteristics" table

## MATERIALS IN CONTACT WITH FLUID

(\*) Ensure that the compatibility of the fluids in contact with the materials is verified

**Body** PAA  
**Internal parts** POM, PET, stainless steel and brass  
**Pneumatic interface seal** TPE

## OTHER MATERIALS

**Coil** Thermoplastic PET

## ELECTRICAL CHARACTERISTICS

**Coil insulation class** F  
**Connection** Connector M12 or cable ends  
**Electrical safety** IEC 335

connector M12 CNOMO E03.62.520.N  
 cable ends EN 60730

**Electrical enclosure protection** Moulded IP67 (EN 60529)

**Standard voltages** DC (=) : 24V

coils		power ratings (◇)				operator ambient temperature range <sup>(3)</sup> (TS) (°C)	type <sup>(2)</sup>
power ranges	voltages (V)	inrush ~	holding ~	hot/cold =			
		~ =	(VA)	(VA) (W)	(W)		
LP2	- 24	-	-	-	1,15 / 1,35	-25 to +60	01-02-03

<sup>(2)</sup> Refer to the dimensional drawings on the following page. <sup>(3)</sup> For joinable subbase mounting, see pages suivantes.

## SPECIFICATIONS

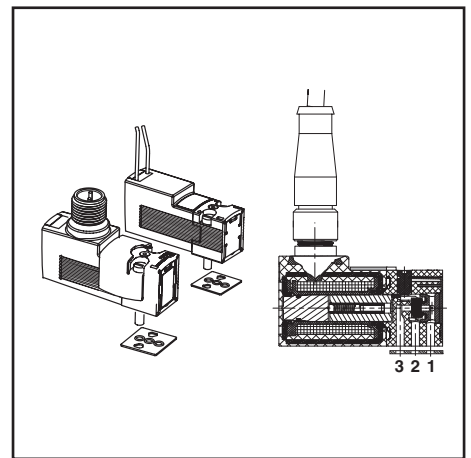
orifice size (mm)	flow at 6 bar l/min (ANR)		coefficient Kv		operating pressure differential (bar)		power ranges	basic catalogue number		
	1 → 2	2 → 3	1 → 2	2 → 3	min.	max. (PS)		impulse	manual operator	maintained
<b>NC - Normally closed, connection M12 + LED and protection</b>										
0,6	11	20	0,11	0,26	0	10	LP2	30212109		30212110
0,8	17	28	0,22	0,35	0	8	LP2	30212112		30212113
1,1	32	51	0,35	0,50	0	5	LP2	30212118		30212119
1,5	39	53	0,50	0,56	0	3	LP2	30212124		30212125
<b>NC - Normally closed, cable ends + LED and protection</b>										
0,6	11	20	0,11	0,26	0	10	LP2	30213109		30213110
0,8	17	28	0,22	0,35	0	8	LP2	30213112		30213113
1,1	32	51	0,35	0,50	0	5	LP2	30213118		30213119
1,5	39	53	0,50	0,56	0	3	LP2	30213124		30213125

When ordering:

	M12	cable
with connector	--D	⊗
without connector	--P	⊗
complete	⊗	--D

to be inserted after the basic catalogue number

Examples: • M12 with connector : 30212109--D  
 • M12 without connector : 30212109--P  
 • cable ends : 30213109--D



(◇) Nominal power ratings of standard versions (with LED indicator and electrical protection)

00075GB-2017/R01 Availability, design and specifications are subject to change without notice. All rights reserved.

### OPTIONS AND ACCESSORIES

- Seals and disc made of FPM (fluoroelastomer)
- Versions without manual operator, NO (Normally Open), U (Universal) and Uv (Universal vacuum): contact us
- Version with pneumatic-electric interface
- Straight M12 connector:
  - with 5 m cable length: catalogue number **88130212**
- Explosionproof enclosures for use in zones 0/20-1/21-2/22, categories 1-2-3 to ATEX-Directive 2014/34/EU (see "Explosionproof solenoids" section)

### INSTALLATION

- The solenoid valves can be mounted in any position without affecting operation
- Solenoid valve supplied with mounting screws and mounting pad seal(s)
- Installation/maintenance instructions are included with each valve

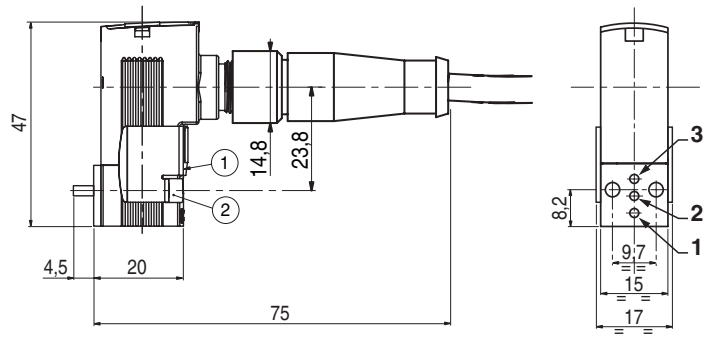
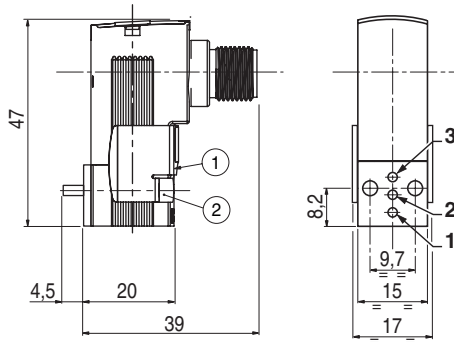
### DIMENSIONS (mm), WEIGHT (kg)



**TYPE 01**  
IEC 335  
Connection M12  
IP67



**TYPE 02**  
IEC 335 /  
Straight M12 connector, 5 m cable length  
IP67



- ① Manual operator location.
- ② 2 mounting screw M3 x 20

weight		
M12 <sup>(1)</sup>	<sup>(2)</sup>	cable ends
0,049	0,288	0,040

<sup>(1)</sup> Without connector

<sup>(2)</sup> With connector

function	connection		
	1	2	3
NC	P	O	E

P: Pressure

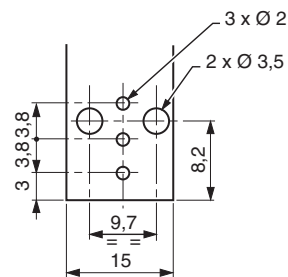
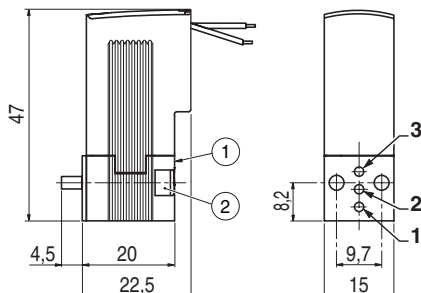
E: Exhaust

O: Outlet

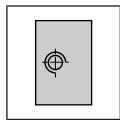


**TYPE 03**  
IEC 335  
Cable ends 0,3 m length  
IP67

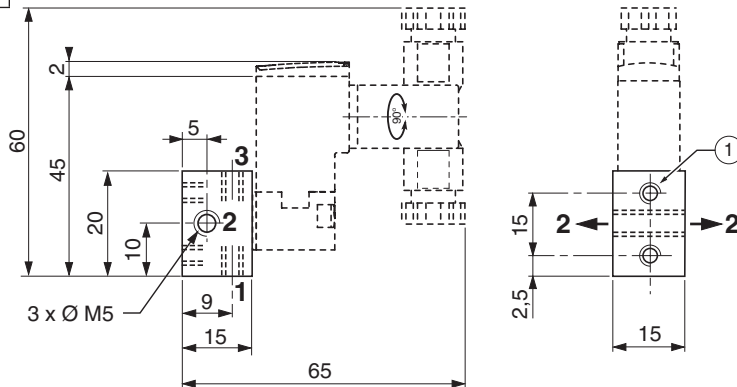
Subbase mounting surface: ISO 15218  
(CNOMO E06.36.120N, size 15)



### DIMENSIONS (mm), WEIGHT (kg)



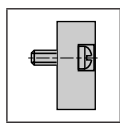
#### Single subbase Aluminium or brass



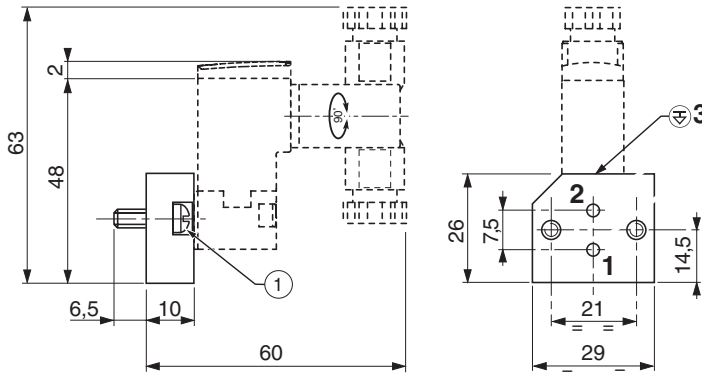
- ① Mounting: 2 holes M3, depth 4,5
- Orifice (2) can be connected on the left or on the right of the subbase.

material	catalogue number	weight <sup>(1)</sup>
aluminium	<b>88263002</b>	0,011
brass	<b>30300001</b>	0,034

<sup>(1)</sup> subbase alone



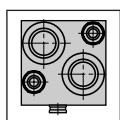
#### Adapter CNOMO size 30 (only for NC version) Aluminium



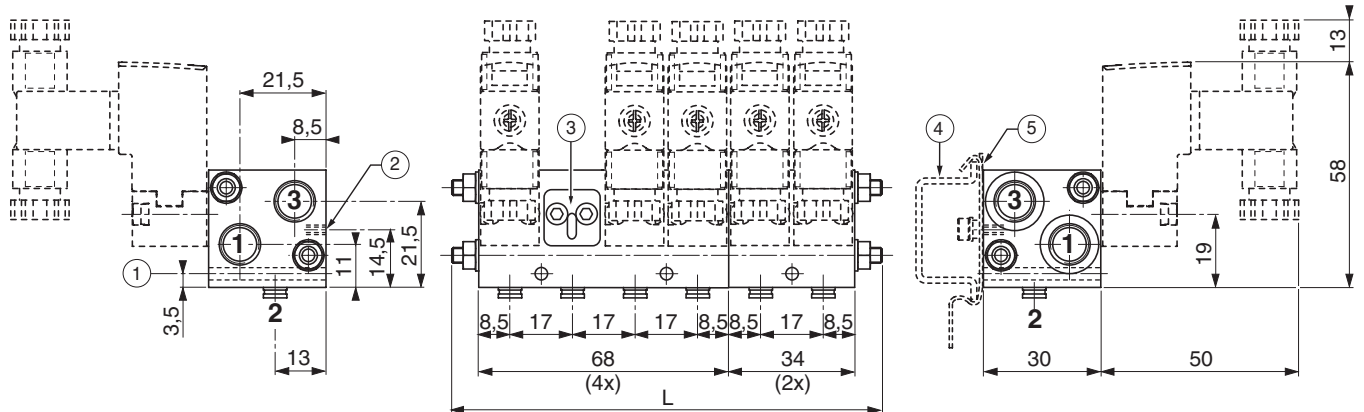
- ① Mounting: 2 screws M4 x 10 (supplied)

catalogue number	weight <sup>(2)</sup>
<b>88263001</b>	0,018

<sup>(2)</sup> adapter alone



#### Joinable subbases Aluminium



Ports 1 and 3: G1/8

Port 2: coupling for 4mm OD tube

- ① Fixing hole Ø 3,2 (2 for 4x ; 1 for 2x)
- ② Fixing hole M3, depth 8 (2 for 4x ; 1 for 2x)
- ③ Mating surface blanking plates (option)
- ④ TS35 DIN rail (not supplied)
- ⑤ Clip for DIN rail mounting (option)

catalogue number	x	subbases	L	weight <sup>(3)</sup>
<b>35500564</b>	2	2x	-	0,076
<b>35500565</b>	4	4x	-	0,148
<b>35500566</b>	6	4x + 2x	114	0,236
<b>35500567</b>	8	4x + 4x	148	0,313
<b>35500568</b>	10	4x + 4x + 2x	182	0,389
<b>35500569</b>	12	4x + 4x + 4x	216	0,466

<sup>(3)</sup> subbases alone

x = place for mini-solenoid valves.

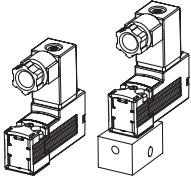
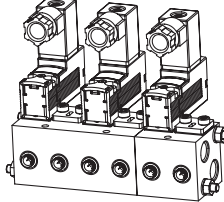
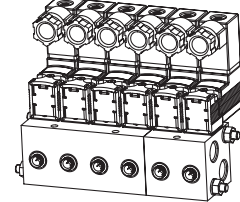
2 plugs R1/8 supplied.

All leaflets are available on: [www.asco.com](http://www.asco.com)

**OPTIONS AND ACCESSORIES**

- Additional subbase with 2 places (with seals): catalogue number **35500570**
- 2 tie-rods + nuts for a subbase with:  
 4 places: catalogue number **88100752**  
 6 places: catalogue number **88100753**  
 8 places: catalogue number **88100754**  
 10 places: catalogue number **88100755**  
 12 places: catalogue number **88100756**
- Mounting kit for DIN rail (2 clips + screws + washers): catalogue number **88100757**
- Mating surface blanking plate: catalogue number **88130203**

**AMBIENT TEMPERATURE RANGES**

current type	power range	power coil		version			
		inrush/holding (VA) ~	hot/cold (W) =				
<b>DC (=)</b>	LP1 <sup>(1)</sup>	-	0,5/0,55	standard	-10°C ; +50°C		-10°C ; +50°C
	LP2 <sup>(1)</sup>	-	1/1,2	standard	-25°C ; +60°C		-25°C ; +60°C
		-	1,15/1,35	LED + protection			-25°C ; +40°C
	LP3 <sup>(2)</sup>	-	2/2,65	standard	-25°C ; +50°C		-25°C ; +40°C
-		2,15/2,8	LED + protection	-25°C ; +40°C		-	
<b>AC (~)</b>	LP2 <sup>(2)</sup>	1,4/1,2	-	standard	-25°C ; +60°C		-25°C ; +40°C
		1,8/1,6	-	LED + protection			-
	LP3 <sup>(2)</sup>	2,1/1,6	-	standard	-25°C ; +60°C		-25°C ; +40°C
		2,5/2	-	LED + protection	-25°C ; +50°C		-

<sup>(1)</sup> Voltage: -15% / +20%

<sup>(2)</sup> Voltage: -15% / +10%

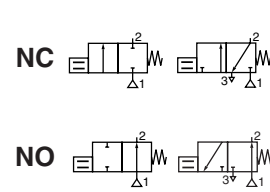


# MINI PIEZO-VALVES PIEZOTRONIC

direct operated

ISO 15218 (CNOMO, size 15) interface

pad mounting body, M5, G1/8 or instant fittings subbase



**2/2-3/2**  
Series  
**630**

## SPECIFICATIONS

FLUIDS	: air or neutral gas, filtered at 25 µm, condensate free dew point -10°C
PRESSURE	: 0 to 4 or 8 bar
MAX. ALLOWABLE PRESSURE (MAP)	: 8 bar
FLUID TEMPERATURE	: 0°C to +60° C
AMBIENT TEMPERATURE	: 0°C to +60° C
STORAGE TEMPERATURE	: -40°C to +60°C
BASE	: ISO 15218 (CNOMO E06.36.120N, size15) or ISO 15218 (CNOMO E06.05.80, size 30) with adapter
MOUNTING	: on subbases ØM5, G1/8 or instant fittings
SERVICE LIFE	: > 10 <sup>9</sup> cycles at 6 bar
MOUNTING POSITION	: all

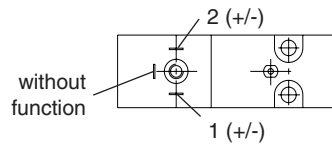
## CONSTRUCTION

Body	: synthetic material (PPS)
Internal parts	: piezo ceramics
Sealings	: nitrile (NBR)
Manual override	: without or impulse type
Subbase	: brass, polyamide, zinc diecast

## ELECTRICAL CONNECTION

version with pins

Non polarized solenoid valve



## Version with wires

Non polarized solenoid valve

## ELECTRICAL CHARACTERISTICS

Voltage (Maximum ripple : 10 %)	Power consumption at 24 V		Response time	Protection degree	Electrical connection
	inrush	hold			
24 to 70 V AC/DC ±10%	0,6 W	<b>0,007 W</b>	50 ms (DC) 70 ms (AC)	IP 65	Spade plug size 15 connector, DIN 43650, 9,4 mm, industry standard B, rotatable by 90°, Option : with wires, length 1 m

Switching current = 25 mA/30ms

## SPECIFICATIONS

Symbols Functions	Flow at 6 bar l/min (ANR)	Coefficient Kv	Allowable differential pressure (Δ p in bar)		(M)	catalogue number	
			min.	max.		PIEZOTRONIC with pins with standard connector	PIEZOTRONIC with 2 wires, 1m long
<b>2/2</b> <b>NC</b>	6	0,086	0	8	X ▼	<b>63000065</b> <b>63000071</b>	<b>63000015</b> <b>63000021</b>
	6,5 <sup>(1)</sup>	0,12	0	4	X ▼	<b>63000067</b> <b>63000073</b>	<b>63000017</b> <b>63000023</b>
<b>2/2</b> <b>NO</b>	6	0,086	0	8	X ▼	<b>63000066</b> <b>63000072</b>	<b>63000016</b> <b>63000022</b>
	6,5 <sup>(1)</sup>	0,12	0	4	X ▼	<b>63000068</b> <b>63000074</b>	<b>63000018</b> <b>63000024</b>
<b>3/2</b> <b>NC</b>	7	0,10	2	8	X ▼	<b>63000063</b> <b>63000069</b>	<b>63000013</b> <b>63000019</b>
<b>3/2</b> <b>NO</b>	6	0,086	2	8	X ▼	<b>63000064</b> <b>63000070</b>	<b>63000014</b> <b>63000020</b>

(M) Manual operator: X : without ▼ : Impulse

(1) Flow at 4 bar in l/min (ANR)

**SUBBASES:** Single subbase with lateral connection Ø M5 - cat no.: **88263002**

Single subbase - connection G1/8 - cat no.: **35300047**

Joinable subbase - connection G1/8 - cat no.: **35300048**

**OPTION :** Minivalve operated, intrinsically safe Ex ia, 12V - 24V DC

## ACCESSORIES

DESCRIPTION	catalogue number
Visual indicator LED (Caution, consumption 0,25W and voltage 24V max.)	<b>88130401</b>
Plug size 15 with 2 m cable	<b>88143567</b>
Plug size 15 with built-in visual indicator (LED), with 2 m cable <b>24V =/~ max.</b>	<b>88143580</b>
Adapter for mounting PIEZOTRONIC on base ISO 15218 (CNOMO E06.05.80, size 30)	<b>88263001</b>

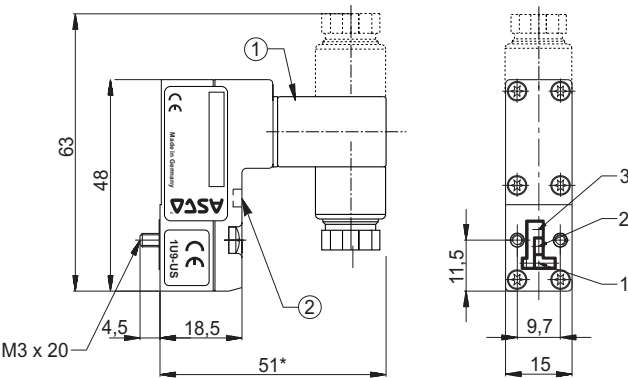
All leaflets are available on: [www.asco.com](http://www.asco.com)

Solenoid valves (2/2 - 3/2) - 21

### DIMENSIONS AND WEIGHTS

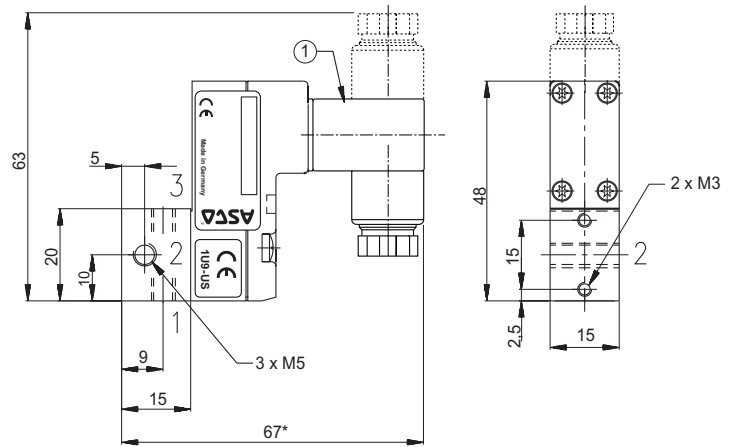
#### MINI PIEZO-VALVE WITH STANDARD CONNECTOR

Weight: 24 g without connector  
34 g with connector



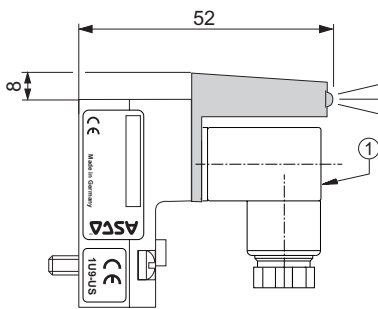
#### MINI PIEZO-VALVE ON SINGLE SUBBASE **88263002**

Weight: 45 g



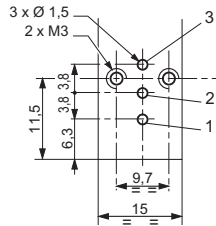
#### ASSEMBLY WITH LED INDICATOR

(accessory, rotatable x180°)



#### MOUNTING FACE

Subbase for mini piezo-valve  
ISO 15218 (CNOMO  
E06.36.120N, size15)



Single subbase connection :

Outlet (2) can be connected on the left or on the right of subbase ; closed unused port with a Ø M5 plug (supplied).

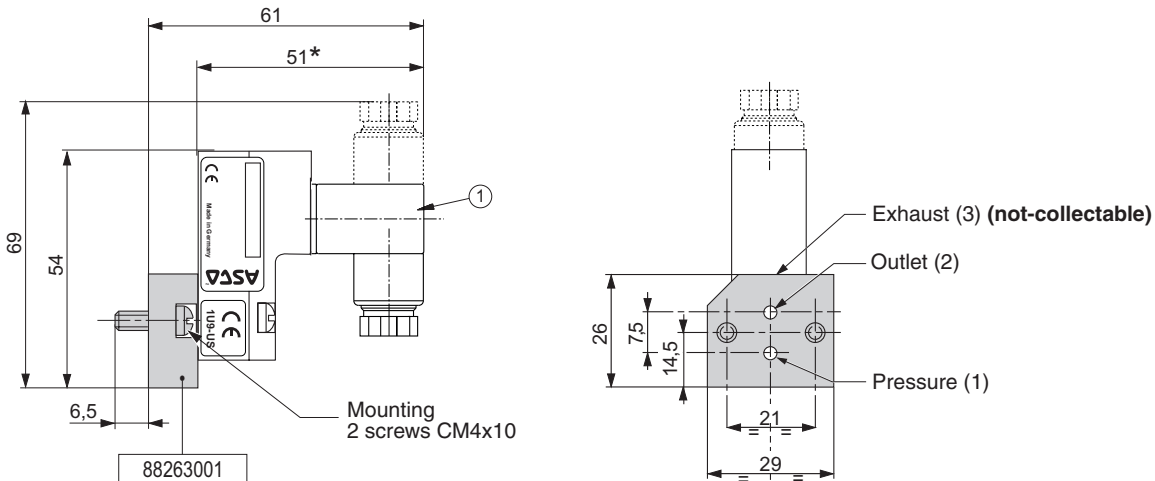
① Connector size 15 rotatable by 90°

② Impulse manual operator

(\*) + 10 mm for clearance

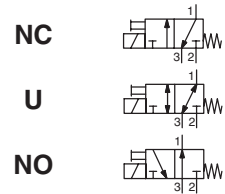
#### MINI VALVE + Intermediate subbase (**Adapter CNOMO size 30 : cat no.: 88263001**)

Total weight: 53 g



\* + 10 mm for clearance





## FEATURES

- Compact design for the control of single-acting actuators or filling and draining cycles
- Wide range of flow and pressure ratings
- Quick disassembly of core tube for easy maintenance of internal parts
- Standard disc seal made of FPM suitable for a wide range of operating temperatures and compatible with many fluids
- Standard manual operator allows an easy installation
- AC/DC interchangeability of the solenoid without disassembly of the valve
- Compliance with UL and CSA standards (coil 4/6,9 W)
- Compact and low weight valve
- The solenoid valves satisfy all relevant EU directives

## GENERAL

**Differential pressure** See «SPECIFICATIONS» [1 bar =100 kPa]  
**Maximum viscosity** 40 cSt (mm<sup>2</sup>/s)  
**Response time** 5 - 10 ms

fluids (*)	temperature range (TS)	seal materials (*)
air, inert gas, water, oil	-10°C to +100°C	FPM (fluoroelastomer)

## MATERIALS IN CONTACT WITH FLUID

(\*) Ensure that the compatibility of the fluids in contact with the materials is verified

	Brass body	Stainless steel body
<b>Body</b>	Brass	AISI 316
<b>Core tube</b>	Stainless steel	Stainless steel
<b>Core and plugnut</b>	Stainless steel	Stainless steel
<b>Springs</b>	Stainless steel	Stainless steel
<b>Seat</b>	Brass	Stainless steel
<b>Seals</b>	FPM	FPM
<b>Disc</b>	FPM	FPM
<b>Shading coil</b>	Copper	Copper

## ELECTRICAL CHARACTERISTICS

**Coil insulation class** F  
**Connector** Spade plug (cable Ø 6-8 mm or Ø 6-10 mm)  
**Connector specification** DIN 43650, 11 mm, industry standard B (type 01) or ISO 4400 / EN 175301-803, form A (type 02) IEC 335  
**Electrical safety** Moulded IP65 (EN 60529)  
**Electrical enclosure protection** DC (=) : 24V - 48V  
**Standard voltages** AC (~) : 24V - 48V - 115V - 230V / 50 Hz  
 (Other voltages and 60 Hz on request)

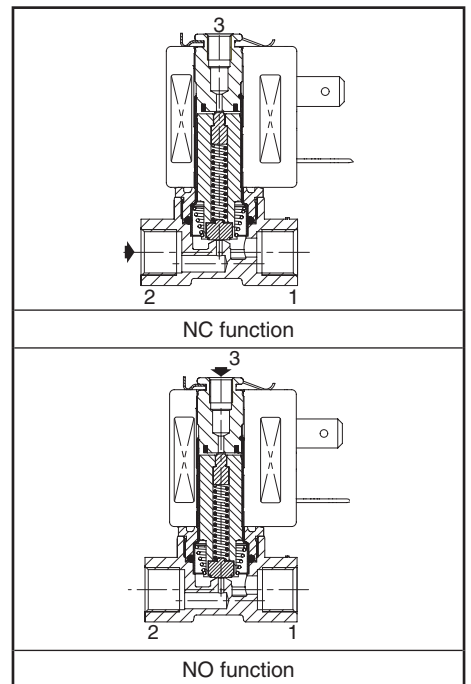
prefix option	power ratings				operator ambient temperature range (TS) (C°)	replacement coil		type <sup>(1)</sup>
	inrush ~		holding ~			~	=	
	(VA)	(VA)	(W)	(W)		230 V/50 Hz	24 V DC	
SC	12	6	4	5 / 6,9	-10 to +60	400127-197	400127-142	01
	15	7	5	4 / 5	-10 to +60	400727-117	400727-185	02

<sup>(1)</sup> Refer to the dimensional drawings on the following page.

## SPECIFICATIONS

pipe size	orifice size	flow coefficient Kv				operating pressure differential (bar)				power coil (W)		catalogue number		options	
		2→1		3→1		min.	max. (PS)		~	=	brass	stainless steel	EPDM		
		(m <sup>3</sup> /h)	(l/min)	(m <sup>3</sup> /h)	(l/min)		air, water, oil (*)	=							
G	(mm)	(m <sup>3</sup> /h)	(l/min)	(m <sup>3</sup> /h)	(l/min)		~	=	~	=	~/=	~/=			
<b>NC - Normally closed</b>															
1/8 <sup>(2)</sup>	1,2	0,05	0,8	0,05	0,8	0	15	15	4	6,9	SCG356B001VMS	SCG356B013VMS	E	-	-
	1,6	0,08	1,33	0,05	0,8	0	10	10	4	6,9	SCG356B002VMS	SCG356B014VMS	E	-	-
	2,0	0,1	1,66	0,05	0,8	0	5	5	4	6,9	SCG356B003VMS	SCG356B015VMS	E	-	-
	2,4	0,13	2,1	0,05	0,8	0	4	4	4	6,9	SCG356B004VMS	SCG356B016VMS	E	-	-
1/4 <sup>(2)</sup>	1,6	0,08	1,33	0,05	0,8	0	10	10	5	5	SCG356B466VMS	SCG356B434VMS	-	-	-
	2,4	0,16	2,67	0,05	0,8	0	4	4	5	5	SCG356B470VMS	SCG356B436VMS	-	-	-
<b>U - Universal</b>															
1/8 <sup>(2)</sup>	1,6	0,06	1	0,05	0,8	0	4,5	4,5	4	6,9	SCG356B010VMS	SCG356B022VMS	E	-	-
	2,0	0,08	1,33	0,05	0,8	0	3	3	4	6,9	SCG356B011VMS	SCG356B023VMS	E	-	-
	2,4	0,09	1,5	0,05	0,8	0	2	2	4	6,9	SCG356B012VMS	SCG356B024VMS	E	-	-
<b>NO - Normally open</b>															
1/8 <sup>(2)</sup>	1,6	0,096	1,6	0,05	0,8	0	8,5	8,5	4	6,9	SCG356B006VMS	SCG356B018VMS	E	-	-

<sup>(2)</sup> Pipe size port 3: M5 (Orifice size = 1,2 mm).



### OPTIONS

- Valves can also be supplied with EPDM (ethylene-propylene) seals and discs. Use the appropriate optional suffix letter for identification (1/8 version only)
- Explosionproof enclosures for use in zones 1/21-2/22, categories 2-3 to ATEX Directive 2014/34/EU (see "Explosionproof solenoids" section)
- Flying leads coil, use prefix L (e.g.: LG356B001VMS) (4 W/6,9 W coil only)
- Oxygen service with seals and disc in FPM, suffix NV, example: SCG356B001NVMS
- Solenoid valves integrated on manifold, orifice sizes 1,2 - 1,6 - 2 - 2,4 mm (See V591)
- French sanitary conformity approval ACS for potable water applications, suffix: FW (1/8 NC only)
- Without manual operator, on request
- Other pipe connections are available on request
- Plug with visual indication and peak voltage suppression or with cable length of 2 m (see Solenoids, Coils & Accessories section)

### INSTALLATION

- The solenoid valves can be mounted in any position without affecting operation
- Solenoid valves have 2 mounting holes in body
- Pipe connection identifier is G = G (ISO 228/1)
- Installation/maintenance instructions are included with each valve

### ORDERING EXAMPLES:

SC	G	356	B 001	VMS	230V / 50 Hz
SC	G	356	B 002	EMS	115V / 50 Hz
SC	G	356	B 014	NVMS	24V / DC
SC	G	356	B 001	FWMS	24V / DC
SC	G	356	B 456	VMS	230V / 50 Hz
SC	G	356	B 006	VMS	230V / 50 Hz

prefix — SC  
 pipe thread — G  
 basic number — 356  
 B — basic number  
 suffix — VMS, EMS, NVMS, FWMS  
 voltage — 230V / 50 Hz, 115V / 50 Hz, 24V / DC

### DIMENSIONS (mm), WEIGHT (kg)



#### TYPE 01

Prefix "SC" Solenoid  
Epoxy moulded  
IEC 335 / DIN 43650  
IP65

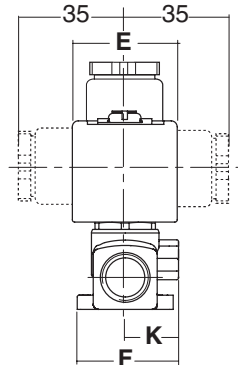
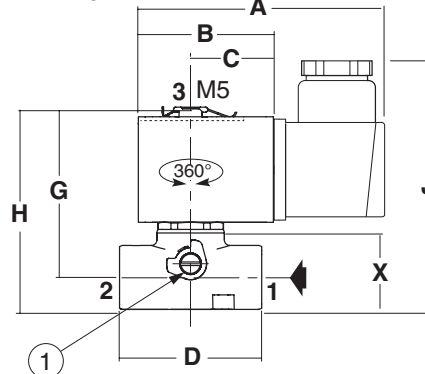
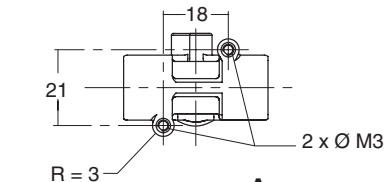
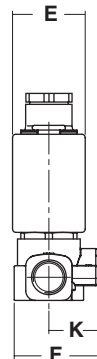
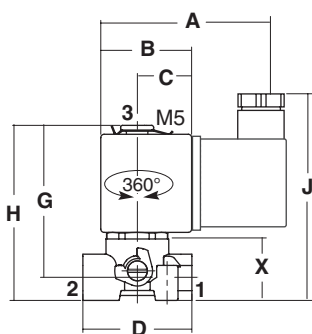
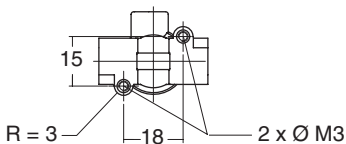
NC/NO/U (1/8): All 1/8 catalogue numbers



#### TYPE 02

Prefix "SC" Solenoid  
Epoxy moulded  
IEC 335 / ISO 4400  
IP65

NC (1/4): SCG356B434VMS/436VMS/466VMS/470VMS/471V/472V



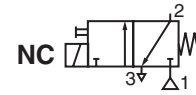
type	prefix option	pipe size	A	B	C	D	E	F	G	H	J	K	X	weight <sup>(1)</sup>	
														brass	stainless steel
01	SC	1/8	60,5	27,5	16,5	33	22	25,5	46	53	69	15	18,6	0,156	0,138
02	SC	1/4	76	38	23,3	40	29,7	28,5	48	57	79	15	23,4	0,232	0,229

<sup>(1)</sup> including coil and connector.



# CONTROL SOLENOID VALVES

direct-mounted - BANJO coupling type  
G 1/8 threaded body,  
Ø4mm O.D. instant fittings rotatable coupling



**3/2**  
Series  
**189**

## FEATURES

**Compact solenoid valve designed for direct mounting on an actuator** (single-acting cylinders, valves etc.) with the following advantages:

- Easy to connect
- Shorter response time
- Installation simplified due to 360° rotatable supply port (1), solenoid valve body, coil and connector
- Reduced envelope
- Built-in exhaust reducer
- Auxiliary manual operator
- Accepts a range of size 22 solenoid heads
  - IP65 standard (2,5 W)
  - M12 connection, integrated Led and protection
  - Ex m for potentially explosive atmospheres



## GENERAL

<b>Fluid</b>	Air or neutral gaz, filtered, lubricated or not
<b>Operating pressure</b>	0 to 10 bar
<b>Maximum allowable pressure</b>	16 bar
<b>Fluid temperature</b>	-10°C to +60°C
<b>Ambient temperature</b>	-10°C to +60°C
<b>Flow (Qv at 6 bar)</b>	See "specifications"
<b>Response time</b>	10 - 20 ms (on air ΔP = 6 bar)
<b>Base</b>	ISO 15218 (CNOMO 06.05.80/NF E 49066, size 30)

## CONSTRUCTION

<b>Body</b>	PA + FV (glass filled polyamide 6/6)
<b>Pad mounting body</b>	Ports 1 and 2 on subbase, port 3 tapped M5
<b>Exhaust</b>	M5 female
<b>Seals</b>	NBR (nitrile)
<b>Electrical equipment</b>	Conforming to NF C79300 standard



## ELECTRICAL CHARACTERISTICS

coil type	voltages	consumption		insulation class	protection degree	electrical connection
		inrush	hold			
size 22 with pins	~ 24V-48V-115V-230V/50Hz	6VA	3,5VA (2,5W)	F	IP 65	spade plug size 22 connector, DIN 43650, 11 mm industry standard B
	= 24V-48V	2,5W/3W (hot/cold)				
M12 with Led and protection	= 24V	2,5W/3W (hot/cold)		F	IP 65	M12 connection, 3 pins CNOMO E03.62.520.N

## SPECIFICATIONS

orifice size (mm)	flow				allowable differential pressure (bar)		(M)	exhaust reducer on port 3	catalogue number		
	at 6 bar l/min (ANR)		coefficient Kv		min.	max.			with DIN connector	without DIN connector	with M12 connection
	1 → 2	2 → 3	1 → 2	2 → 3							
1,2	34	47	0,5	0,7	0	10	●	without	18900032	18900033	18900076
								with	18900047	18900043	18900077

(M) Manual operator : ● maintained

## OPTIONS (overleaf)

00216GB-2017/R01 Availability, design and specifications are subject to change without notice. All rights reserved.

**OPTIONS**

**SOLENOID VALVE WITH COIL FOR DIN CONNECTOR**

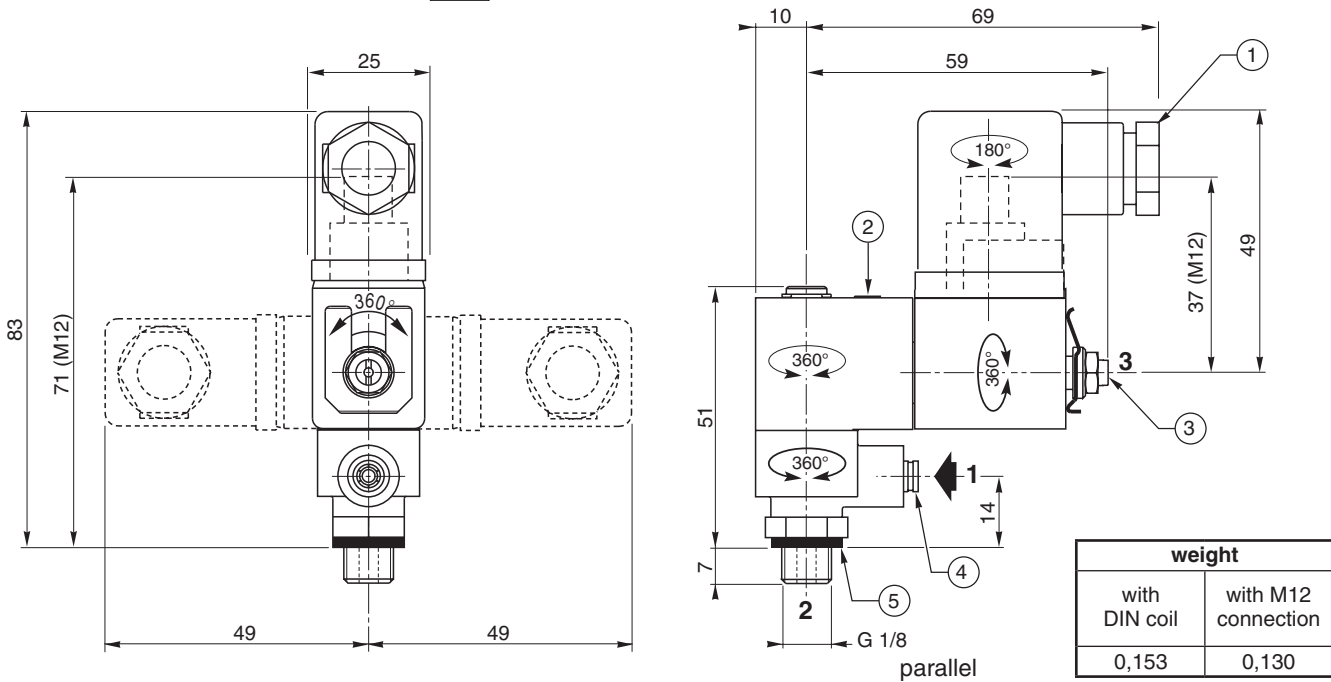
- Others voltages or 60 Hz frequency, on request
- Solenoid head complying with European standards for explosive atmospheres Ex m (PV), zones 1-21 catalogue numbers: **PV18901032** or **PV18901047**
- Solenoid head for dusty explosive atmospheres (SG), zone 22
- Solenoid head "CSA" approved
- Conformity to standard "UL", catalogue number: **612100**
- Exhaust port regulator ØM5 adaptable on port 3 - catalogue number: **34600380**
- Connector with cable outlet, 2m long: **88122413**
- Solenoid valve with built-in visual indicator and protection:

<b>catalogue number</b> solenoid valve without connector (see above)	+	<b>catalogue number</b> connector with built-in visual indicator and VDR protection			
		24V (~/=)	48V (~/=)	115V (~/=)	230V (~/=)
		<b>88122405</b>	<b>88122406</b>	<b>88122407</b>	<b>88122408</b>

**SOLENOID VALVE WITH M12 CONNECTION COIL**

- Exhaust port regulator ØM5 adaptable on port 3 - catalogue number: **34600380**
- Straight M12 connector with 5 female contacts, Ø4 to 6mm cable entry, catalogue number: **88100304**
- Straight M12 connector with 5 female contacts, Ø6 to 8mm cable entry, catalogue number: **88100256**
- Straight M12 connector with 5 female contacts, cable length 5m, catalogue number: **88130212**
- Right-angle M12 connector with 5 female contacts, cable length 5m, catalogue number: **88130213**

**DIMENSIONS (mm), WEIGHTS (kg)**



weight	
with DIN coil	with M12 connection
0,153	0,130

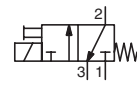
- ① Connector : size 22 rotatable by 180°
- ② Manual operator (maintained)
- ③ Adjustable exhaust flow reducer
- ④ Connection to pressure supply with quick-disconnect coupling for 4mm OD tube (coupling rotatable through 360° around Port 2)
- ⑤ Seal



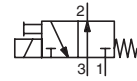
# SOLENOID VALVES

ISO 15218 (CNOMO, size 30) interface  
direct operated, pad mounting body  
subbases for instant fittings or 1/8 thread

NC



NO



**3/2**  
Series  
**189**

## FEATURES

- CNOMO pad-mount version for valve piloting applications
- Compact size and low weight for easy installation on single or joinable subbases
- AC/DC interchangeability of the solenoid operator without any need for disassembly of the valve
- Version with M12 connection with visual indication and peak voltage suppression conforming to "UL" standards
- Flexible installation on joinable subbases
- Manual operator as standard
- The solenoid valves satisfy all relevant EU directives

## GENERAL

**Differential pressure** See "SPECIFICATIONS" [1 bar = 100 kPa]  
**Maximum allowable pressure** 16 bar  
**Response time** 5 - 10 ms

fluids (*)	temperature range (TS)	seal materials (*)
air, inert gas	- 10°C to + 60°C	NBR (nitrile)

## MATERIALS IN CONTACT WITH FLUID

(\*) Ensure that the compatibility of the fluids in contact with the materials is verified

<b>Body</b>	PA, glass-filled
<b>Core tube</b>	Stainless steel
<b>Core and plugnut</b>	Stainless steel
<b>Internal parts, springs</b>	Stainless steel
<b>Seals</b>	NBR
<b>Shading coil</b>	Copper

## CONSTRUCTION

**Mounting pad** ISO 15218 (CNOMO 06-05-80 / NF E 49066, size 30)

## ELECTRICAL CHARACTERISTICS

**Coil insulation class** F  
**Connector** Spade plug (cable Ø 6-8 mm) or M12  
**Connector specification** DIN 43650, 11 mm, industry standard B or CNOMO E03.62.520.N (M12)

**Electrical safety** IEC 335  
**Electrical enclosure protection** Moulded IP65 (EN 60529)  
**Standard voltages** DC (=): 24V - 48V (M12: 24V + LED and protection)  
AC (~): 24V - 48V - 115V - 230V / 50 Hz

-	power ratings				operator ambient temperature range (TS) (C°)	replacement coil		type <sup>(1)</sup>
	inrush	holding	hot/cold			~	=	
	(VA)	(VA)	(W)	(W)		230 V/50 Hz	24 V DC	
-	6	3,5	2,5	2,5 / 3	-10 to + 60	43004422	43004166	01
-	-	-	-	-	-	-	43005523	06

<sup>(1)</sup> Refer to the dimensional drawings on the following page.

## SPECIFICATIONS

pipe size	orifice size		flow at 6 bar l/min (ANR)		flow coefficient Kv		operating pressure differential (bar)			power coil (W)		catalogue number		
	1 → 2	2 → 3	1 → 2	2 → 3	1 → 2	2 → 3	min.	max. (PS)		~	=	with maintained manual operator		
	(mm)	(mm)	(l/min)	(l/min)	(l/min)	(l/min)		air (*)	~			=	with connector	without connector
<b>NC - Normally closed</b>														
pad mounting <sup>(2)</sup>	1,2	1,5	50	56	0,7	0,8	0	10	10	2,5	3	18900001	18900002	-
										-	3	-	-	18900073
<b>NO - Normally open</b>														
pad mounting <sup>(2)</sup>	1,2	1,5	40	50	0,7	0,6	0	6 <sup>(5)</sup>	6 <sup>(5)</sup>	2,5	3	18900010	18900011	-
										-	3	-	-	18900075

## EMBASES

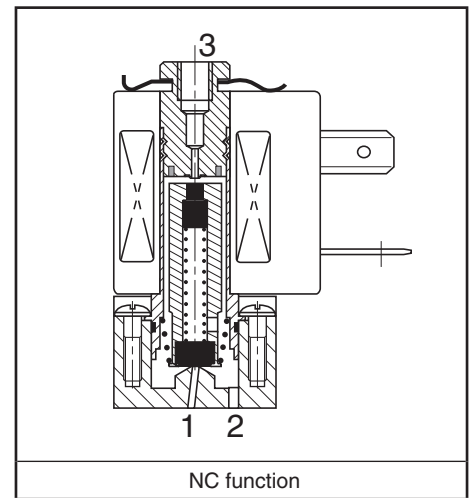
pipe size	designation	composition	catalogue number
<b>6/6 polyamide subbases</b>			
instant fittings <sup>(3)</sup>	single subbase (instant fittings OD 4 mm)		35300069
	joinable subbase (instant fittings OD 4 mm)		35300070
	set of 2 joinable end subbases, right-hand pressure intake, endpieces with instant fittings OD 6 mm		35300071
	set of 2 joinable end subbases, right-hand and/or left-hand pressure intake, endpieces with instant fittings OD 6 mm		35300072 <sup>(4)</sup>
<b>Zamak subbases</b>			
G 1/8 <sup>(3)</sup>	laterally-connected single subbase		35300047
tapped	laterally-connected joinable subbase		35300048

<sup>(2)</sup> Port 3: M5.

<sup>(3)</sup> These subbases can be mounted on omega rail to EN 50022 using 2 clips (clips sold in packs of 10, catalogue number: 33400036).

<sup>(4)</sup> The equipment can be used for two different pressure intakes, supplied with one blanking plug to cover unused port.

<sup>(5)</sup> 10 bar on request (with 5W/6,9W coil)



NC function

### OPTIONS

- Explosionproof enclosures for use in zones 1/21-2/22, categories 2-3 to ATEX Directive 2014/34/EU (see "Explosionproof solenoids" section): Ex mb (PV), PV18901001 or PV18901010 / Potentially explosive atmospheres (SG), zone 22
- Straight M12 connector (IP67 protection with connector correctly installed): with 5 m cable: catalogue number **88130212**
- Catalogue number (without connector) + connector catalogue number (with integrated LED indicator and electrical protection): 24 V (~/=), **88122405** - 48 V (~/=), **88122406** - 115 V (~), **88122407** - 230 V (~), **88122408**
- Compliance with "UL", "CSA" standards are available (UL: catalogue number **612100**)
- Right-angle M12 connector (IP67 protection with connector correctly installed), with 5 m cable: catalogue number **88130213**
- M5 flow control regulator to fit port 3, catalogue number: **34600380**
- Plug with visual indication and peak voltage suppression or with cable length of 2 m (see Solenoids, Coils & Accessories section)

### INSTALLATION

- The solenoid valves can be mounted in any position without affecting operation
- Mounting on single or joinable subbases
- ATEX 2014/34/EU versions (options "SG" and "PV") can be installed on single (all versions) or joinable zinc diecast subbases
- Pipe connections 1/8 have standard thread according to ISO 228/1
- Installation/maintenance instructions are included with each valve

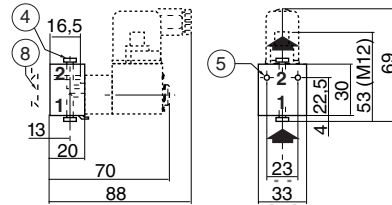
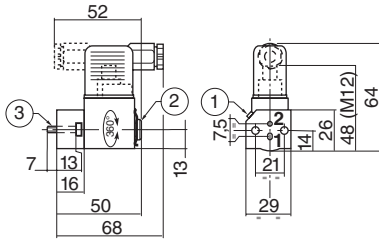
### DIMENSIONS (mm), WEIGHT (kg)



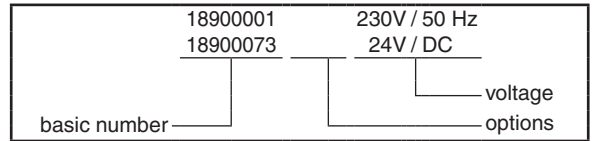
**TYPE 01-06**  
Spade plug /M12  
IEC 335 /  
DIN 43650  
E03.62.520.N, IP65  
18900001/18900010/18900073/18900075



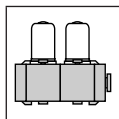
**TYPE 02**  
Single instant fitting  
subbase  
Polyamide  
35300069



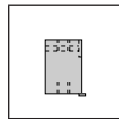
### ORDERING EXAMPLES:



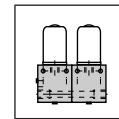
- 1 Manual operator location
- 2 Port 3: M5, depth 5,5 mm
- 3 Mounting: two CM4x20 screws
- 4 Instant-fitting connection for OD 4 mm tube
- 5 Mounting: two dia. 3,5 mm securing holes, dia. 6,5 mm counter-bores, depth 3,5 mm
- 6 Instant-fitting connection for OD 6 mm tube
- 7 Mounting: two dia. 4,5 mm securing holes
- 8 Adaptable clips
- 9 Subbase mounting hole, adapter



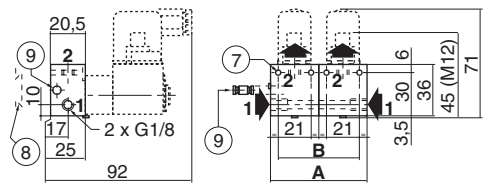
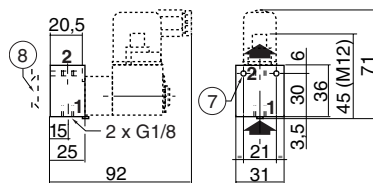
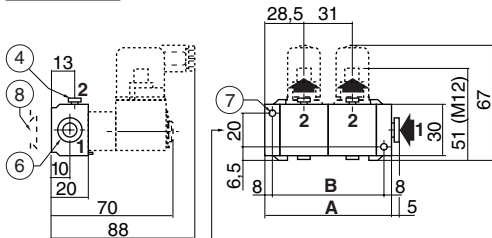
**TYPE 03**  
Joinable instant fitting subbase  
Polyamide  
35300070  
35300071 (set of 2)



**TYPE 04**  
Single subbase  
Zamak  
35300047

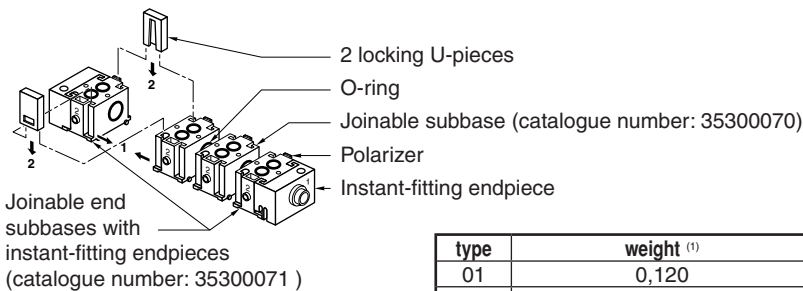


**TYPE 05**  
Joinable subbase  
Zamak  
35300048



Right-hand pressure intake option or 2 different pressure intakes by procuring the set of two end subbases with endpieces (catalogue number: 35300072).

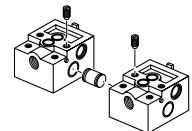
When mounted on DIN rail, it is recommended to use a securing clip on the end subbases as well as on the central subbase.



type	weight <sup>(1)</sup>
01	0,120
02	0,135
04	0,185
06	0,105

<sup>(1)</sup> including coil and connector.  
(except M12 connection type 06)

Joinable subbases assembled with adapter locked by sunk set screws.  
For DIN rail mounting: see type 03.



number of subbases	type 03		type 05	
	A	B	A	B
2	88	72	62	52
3	119	103	93	83
4	150	134	124	114
5	181	165	155	145
6	212	196	186	176
7	243	227	217	207
8	274	258	248	238

type	weight <sup>(2)</sup>						
	number of subbases						
	2	3	4	5	6	7	8
03+01	0,295	0,430	0,565	0,700	0,835	0,970	1,105
03+06	0,265	0,385	0,505	0,625	0,745	0,865	0,985
05+01	0,400	0,600	0,800	1,000	1,200	1,400	1,600
05+06	0,370	0,555	0,740	0,925	1,110	1,295	1,480

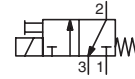
<sup>(2)</sup> Including seals, set screws and joining unit.



# SOLENOID VALVES

ISO 15218 (CNOMO, size 30) interface  
direct operated, pad mounting body  
subbases for instant fittings or 1/8 thread

NC



3/2  
Series  
190

## FEATURES

- CNOMO pad-mount version for valve piloting applications
- Compact size and low weight for easy installation on single or joinable subbases
- AC/DC interchangeability of the solenoid operator without any need for disassembly of the valve
- Version with M12 connection with visual indication and peak voltage suppression conforming to "UL" standards
- Flexible installation on joinable subbases
- Manual operator as standard
- The solenoid valves satisfy all relevant EU directives

## GENERAL

Differential pressure See "SPECIFICATIONS" [1 bar = 100 kPa]  
Maximum allowable pressure 16 bar  
Response time 5 ms

fluids (*)	temperature range (TS)	seal materials (*)
air, inert gas	- 10°C to + 60°C	NBR (nitrile)

## MATERIALS IN CONTACT WITH FLUID

(\*) Ensure that the compatibility of the fluids in contact with the materials is verified

Body	PA, glass-filled
Core tube	Stainless steel
Core and plugnut	Stainless steel
Internal parts, springs	Stainless steel
Seals	NBR
Shading coil	Copper

## CONSTRUCTION

Mounting pad ISO 15218 (CNOMO 06-05-80 / NF E 49066, size 30)

## ELECTRICAL CHARACTERISTICS

Coil insulation class F  
Connector Spade plug (cable Ø 6-10 mm) or M12  
ISO 4400 / EN 175301-803, form A  
or CNOMO E03.62.520.N (M12)

## Connector specification

Electrical safety IEC 335  
Electrical enclosure protection Moulded IP65 (EN 60529)  
Standard voltages DC (=): 24V - 48V (M12: 24V + LED and protection)  
AC (~): 24V - 48V - 115V - 230V / 50 Hz  
(Other voltages and 60 Hz on request)

-	power ratings				operator ambient temperature range (TS) (C°)	replacement coil		type <sup>(1)</sup>
	inrush	holding	hot/cold	~		=		
	~	~	=					
(VA)	(VA)	(W)	(W)	230 V/50 Hz	24 V DC			
-	9	4	3	3 / 3	-10 to + 60	43004472	43004473	01
-	-	-	-	-	-	-	43005525	06

<sup>(1)</sup> Refer to the dimensional drawings on the following page.

## SPECIFICATIONS

pipe size	orifice size		flow at 6 bar		flow coefficient		operating pressure differential (bar)			power coil (W)		catalogue number							
	1 → 2		2 → 3		1 → 2		2 → 3		min.	max. (PS)		without man. operator	maintained man. operator	impulse man. operator	button man. operator	with connector	without connector	M12 connection	
	(mm)	(mm)	(l/min)	(ANR)	(l/min)	(l/min)	air (*)	~		=	~								=
<b>NC - Normally closed</b>																			
pad mounting <sup>(2)</sup>	1,6	1,5	70	84	1	1,2	0	10	10	3	3	×	●	▼	■	19000005	19000013	19000043	
																19000006	19000014	19000044	
																19000017	19000018	19000046	
																19000008	19000016	19000045	

## SUBBASES

pipe size	designation	composition	catalogue number
<b>6/6 polyamide subbases</b>			
instant fittings <sup>(3)</sup>	single subbase (instant fittings OD 4 mm)		35300069
	joinable subbase (instant fittings OD 4 mm)		35300070
	set of 2 joinable end subbases, right-hand pressure intake, endpieces with instant fittings OD 6 mm		35300071
	set of 2 joinable end subbases, right-hand and/or left-hand pressure intake, endpieces with instant fittings OD 6 mm		35300072 <sup>(4)</sup>
<b>Zamak subbases</b>			
G 1/8 <sup>(3)</sup> tapped	laterally-connected single subbase		35300047
	laterally-connected joinable subbase		35300048

<sup>(2)</sup> Port 3: M5.

<sup>(3)</sup> These subbases can be mounted on omega rail to EN 50022 using 2 clips (clips sold in packs of 10, catalogue number: 33400036).

<sup>(4)</sup> The equipment can be used for two different pressure intakes, supplied with one blanking plug to cover unused port.

All leaflets are available on: [www.asco.com](http://www.asco.com)

Solenoid valves (3/2) - 29

## OPTIONS

- Explosionproof enclosures for use in zones 1/21-2/22, categories 2-3 to ATEX Directive 2014/34/EU (see "Explosionproof solenoids" section): Ex mb (PV), PV19000005/6/17/8 / Potentially explosive atmospheres (SG), zone 22
- Straight M12 connector (IP67 protection with connector correctly installed): with 5 m cable: catalogue number **88130212**
- Right-angle M12 connector (IP67 protection with connector correctly installed), with 5 m cable: catalogue number **88130213**
- Catalogue number (without connector) + connector catalogue number (with integrated LED indicator and electrical protection): 24 V (~/-), **88122603** - 48 V (~/-), **88122604** - 115 V (~), **88122605** - 230 V (~), **88122608**
- M5 flow control regulator to fit port 3, catalogue number: **34600380**
- Plug with visual indication and peak voltage suppression or with cable length of 2 m (see Solenoids, Coils & Accessories section)

## INSTALLATION

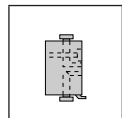
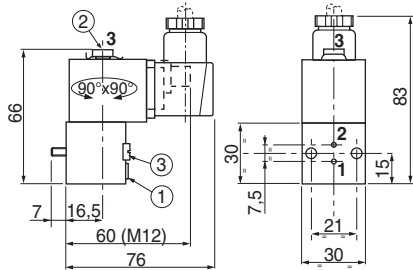
- The solenoid valves can be mounted in any position without affecting operation
- Mounting on single or joinable subbases
- ATEX 2014/34/EU versions (options "SG" and "PV") can be installed on single (all versions) or joinable zinc diecast subbases
- Pipe connections 1/8 have standard thread according to ISO 228/1
- Installation/maintenance instructions are included with each valve

## DIMENSIONS (mm), WEIGHT (kg)



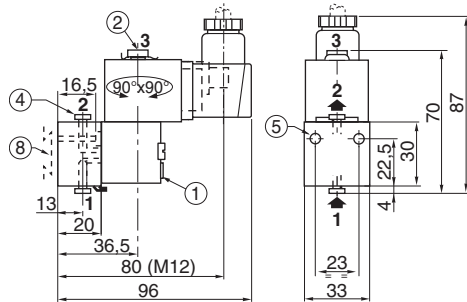
**TYPE 01-06**  
Spade plug /M12  
IEC 335 /  
EN 175301-803 (11 mm)  
E03.62.520.N, IP65

19000005 to 19000045



**TYPE 02**  
Single instant fitting  
subbase  
Polyamide

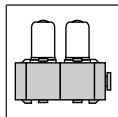
35300069



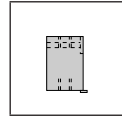
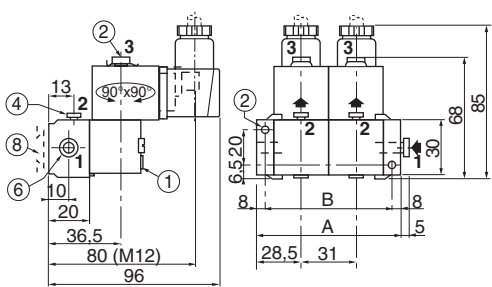
## ORDERING EXAMPLES:

19000006	230V / 50 Hz
19000044	24V / DC
basic number	voltage options

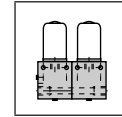
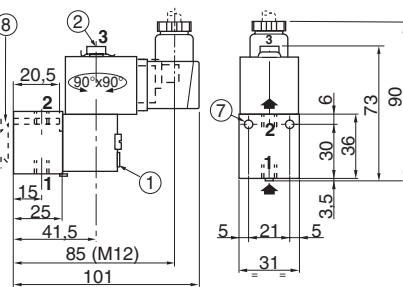
- 1 Manual operator location
- 2 Port 3: M5, depth 5,5 mm
- 3 Mounting: two CM4 x 33,5 screws
- 4 Instant-fitting connection for OD 4 mm tube
- 5 Mounting: two dia. 3,5 mm securing holes, dia. 6,5 mm counter-bores, depth 3,5 mm
- 6 Instant-fitting connection for OD 6 mm tube
- 7 Mounting: two dia. 4,5 mm securing holes
- 8 Adaptable clips
- 9 Subbase mounting hole, adapter



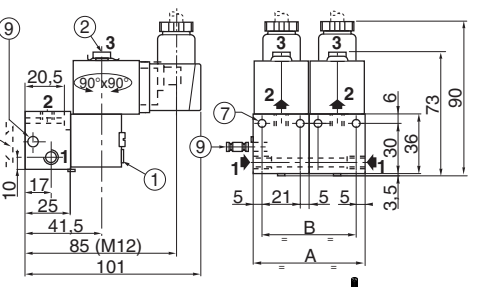
**TYPE 03**  
Joinable instant fitting subbase  
Polyamide  
**35300070**  
**35300071** (set of 2)



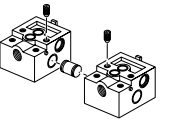
**TYPE 04**  
Single subbase  
Zamak  
**35300047**



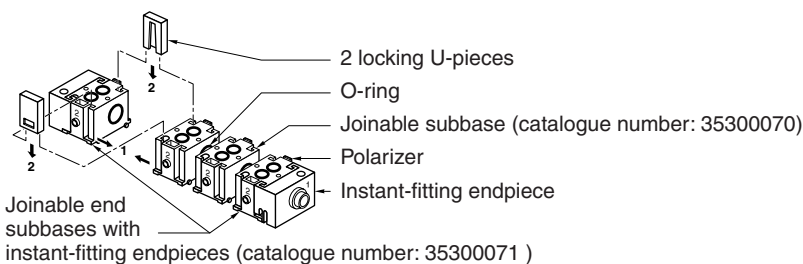
**TYPE 05**  
Joinable subbase  
Zamak  
**35300048**



Joinable subbases assembled with adapter locked by sunk set screws. For DIN rail mounting: see type 03.



Right-hand pressure intake option or 2 different pressure intakes by procuring the set of two end subbases with endpieces (catalogue number: 35300072). When mounted on DIN rail, it is recommended to use a securing clip on the end subbases as well as on the central subbase.



type	weight <sup>(1)</sup>
01	0,180
02	0,135
04	0,185
06	0,170

<sup>(1)</sup> including coil and connector. (except M12 connection type 06)

number of subbases	type 03		type 05	
	A	B	A	B
2	88	72	62	52
3	119	103	93	83
4	150	134	124	114
5	181	165	155	145
6	212	196	186	176
7	243	227	217	207
8	274	258	248	238

type	weight <sup>(2)</sup>							
	number of subbases							
	2	3	4	5	6	7	8	
03+01	0,415	0,610	0,805	1,000	1,195	1,390	1,585	
03+06	0,395	0,580	0,765	0,950	1,135	1,320	1,505	
05+01	0,490	0,735	0,980	1,225	1,470	1,715	1,960	
05+06	0,470	0,705	0,940	1,175	1,410	1,645	1,880	

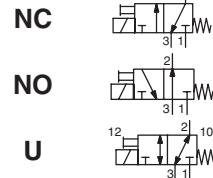
<sup>(2)</sup> Including seals, set screws and joining unit.





# SOLENOID VALVES

ISO 15218 (CNOMO, size 30) interface  
 direct operated, pad mounting body  
 instant fittings or G1/8 - G1/4 subbases



**3/2**  
 Series  
**192**

## FEATURES

- CNOMO pad-mount version for valve piloting applications
- Compact size and low weight for easy installation on single or joinable subbases
- AC/DC interchangeability of the solenoid operator without any need for disassembly of the valve
- Version with M12 connection with visual indication and peak voltage suppression conforming to "UL" standards
- Flexible installation on joinable subbases
- Manual operator as standard
- The solenoid valves satisfy all relevant EU directives

## GENERAL

**Differential pressure** See "SPECIFICATIONS" [1 bar = 100 kPa]  
**Maximum allowable pressure** 16 bar  
**Response time** 7 ms

fluids (*)	temperature range (TS)	seal materials (*)
air, inert gas	- 10°C à + 60°C	NBR (nitrile) PUR (polyurethane)

## MATERIALS IN CONTACT WITH FLUID

(\*) Ensure that the compatibility of the fluids in contact with the materials is verified

**Body** PAM, glass-filled  
**Core tube** Stainless steel  
**Core and plugnut** Stainless steel  
**Internal parts, springs** Stainless steel  
**Seals** NBR, PUR  
**Shading coil** Copper

## CONSTRUCTION

**Mounting pad** NC ISO 15218 (CNOMO 06-05-80 / NF E49-066, size 30)  
 NO - U NF E 49-066

## ELECTRICAL CHARACTERISTICS

**Coil insulation class** F  
**Connector** Spade plug (cable Ø 6-10 mm) or M12  
**Connector specification** ISO 4400 / EN 175301-803, form A  
 or CNOMO E03.62.520.N (M12)

**Electrical safety** IEC 335  
**Electrical enclosure protection** Moulded IP67 (EN 60529)  
 Moulded IP65, M12 version

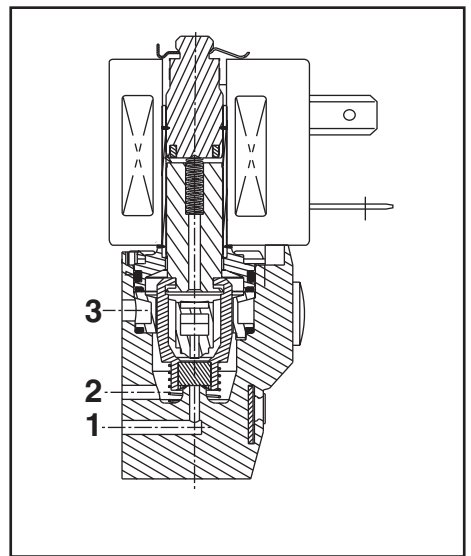
**Standard voltages** DC (=): 24V - 48V (M12: 24V + LED and protection)  
 AC (~): 24V - 48V - 115V - 230V / 50 Hz

	power ratings			operator ambient temperature range (TS) (C°)	replacement coil		type <sup>(1)</sup>	
	inrush ~	holding ~	hot/cold =		~	=		
	(VA)	(VA) (W)	(W)		230 V/50 Hz	24 V DC		
-	9	4	3	3 / 3	-10 to + 60	43005627	43005642	01
-						-	43005664	06

<sup>(1)</sup> Refer to the dimensional drawings on the following page.

## SPECIFICATIONS

pipe size	orifice size		flow at 6 bar		flow coefficient		operating pressure differential (bar)			power coil (W)		catalogue number							
	1 → 2	2 → 3	1 → 2	2 → 3	1 → 2	2 → 3	min.	max. (PS)		~	=	without man. operator	maintained man. operator	impulse man. operator	button man. operator	with connector	without connector	M12 connection	
	(mm)	(mm)	(l/min)	(l/min)	(l/min)	(l/min)		air (*)	~										=
<b>NC - Normally closed (with exhaust to the subbase)</b>																			
pad mounting <sup>(2)</sup>	1,9	2,1	105	105	1,5	1,5	0	16	16	3	3	×	●	▼	■	19201004	19201025	19201139	
												●	▼	■	19201005	19201026	19201140		
												▼	■	19201006	19201027	19201141			
	2,1	2,3	112	154	1,6	2,2	0	12	12	3	3	×	●	▼	■	19201001	19201022	19201136	
												●	▼	■	19201002	19201023	19201137		
												▼	■	19201003	19201024	19201138			
■	19201067	19201073	19201154																
<b>NC - Normally closed (with exhaust 1/8 to the front side)</b>																			
pad mounting <sup>(2)</sup>	1,9	2,1	105	105	1,5	1,5	0	16	16	3	3	×	●	▼	■	19201010	19201031	19201145	
												●	▼	■	19201011	19201032	19201146		
												▼	■	19201012	19201033	19201147			
	2,1	2,3	112	154	1,6	2,2	0	12	12	3	3	×	●	▼	■	19201007	19201028	19201142	
												●	▼	■	19201008	19201029	19201143		
												▼	■	19201009	19201030	19201144			
■	19201069	19201075	19201156																



00422GB-2017/R01 Availability, design and specifications are subject to change without notice. All rights reserved.

## SPECIFICATIONS

pipe size	orifice size		flow at 6 bar		flow coefficient		operating pressure differential (bar)			power coil (W)		catalogue number						
	1 → 2   2 → 3		1 → 2   2 → 3		1 → 2   2 → 3		min.	max. (PS)		~	=	without man. operator	maintained man. operator	impulse man. operator	button man. operator	with connector	without connector	M12 connection
	(mm)	(mm)	(l/min)	(l/min)	(l/min)	(l/min)		air (*)	~									
<b>NO - Normally open</b> (with exhaust to the subbase)																		
pad mounting <sup>(2)</sup>	2,1	1,9	112	105	1,6	1,5	0	10	10	3	3	×	●	▼	■	19201013	19201034	19201148
												19201014	19201035	19201148				
												19201015	19201036	19201150				
												19201071	19201077	19201158				
<b>U - Universal</b> (with exhaust to the subbase)																		
pad mounting <sup>(2)</sup>	1,5	1,5	56	63	0,8	0,9	0	10	10	3	3	×	●	▼	■	19201019	19201037	19201151
												19201020	19201038	19201152				
												19201021	19201039	19201153				
												19201072	19201078	19201159				

## EMBASSES

pipe size	designation	composition	catalogue number
<b>6/6 polyamide subbases</b>			
instant fittings <sup>(3)</sup>	single subbase (instant fittings OD 4 mm)		35300069
	joinable subbase (instant fittings OD 4 mm)		35300070
	set of 2 joinable end subbases, right-hand pressure intake, endpieces with instant fittings OD 6 mm		35300071
	set of 2 joinable end subbases, right-hand and/or left-hand pressure intake, endpieces with instant fittings OD 6 mm		35300072 <sup>(4)</sup>
<b>Zamak subbases</b>			
tapped <sup>(5)</sup>	laterally-connected single subbase		35300047
	laterally-connected joinable subbase		35300048
<sup>(3)</sup>	laterally-connected single subbase (3 connectable ports lateral bore)		35300049
	laterally-connected joinable subbase (3 connectable ports lateral bore)		35300057

<sup>(2)</sup> Port 3: M5.

<sup>(3)</sup> These subbases can be mounted on omega rail to EN 50022 using 2 clips (clips sold in packs of 10, catalogue number: **33400036**).

<sup>(4)</sup> The equipment can be used for two different pressure intakes, supplied with one blanking plug to cover unused port.

<sup>(5)</sup> 10 bar on request (with 5W/6,9W coil)

## OPTIONS

- Explosionproof enclosures for use in zones 1/21-2/22, categories 2-3 to ATEX Directive 2014/34/EU (see "Explosionproof solenoids" section): Ex mb (PV), catalogue numbers: **PV19201001...1072**
- Straight M12 connector (IP67 protection with connector correctly installed): with 5 m cable: catalogue number **88130212**
- Right-angle M12 connector (IP67 protection with connector correctly installed), with 5 m cable: catalogue number **88130213**
- Catalogue number (without connector) + connector catalogue number (with integrated LED indicator and electrical protection): 24 V (~/=), **88122603** - 48 V (~/=), **88122604** - 115 V (~), **88122605** - 230 V (~), **88122608**
- M5 flow control regulator to fit port 3, catalogue number: **34600380**
- Plug with visual indication and peak voltage suppression or with cable length of 2 m (see Solenoids, Coils & Accessories section)

## INSTALLATION

- The solenoid valves can be mounted in any position without affecting operation
- Selection of the exhaust port:

to the subbase.  
(Collected in subbase)

to front side (G 1/8) equipped with an exhaust plug.  
(Exhaust to atmosphere)

- Mounting on single or joinable subbases
- ATEX 2014/34/EU versions (option "PV") can be installed on single (all versions) or joinable zinc diecast subbases
- Pipe connections 1/8 have standard thread according to ISO 228/1
- Installation/maintenance instructions are included with each valve
- M12 electrical connection:

3	-
4	+
5	earth

- Installation/maintenance instructions are included with each valve

### ORDERING EXAMPLES:

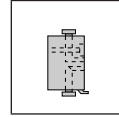
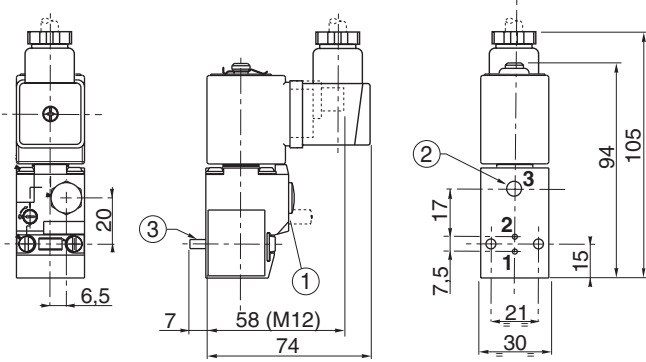
19201001	230V / 50 Hz
19201136	24V / DC
basic number	voltage options

### DIMENSIONS (mm), WEIGHT (kg)



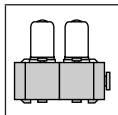
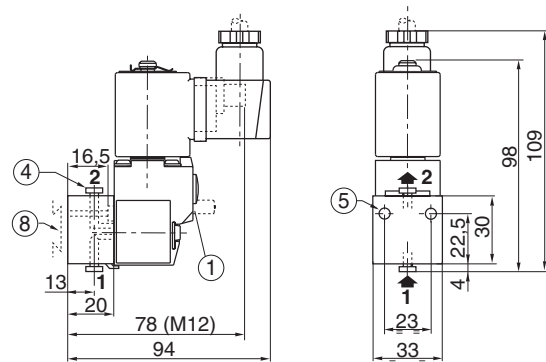
**TYPE 01-06**  
Spade plug / M12  
IEC 335 / IP67 / IP65 (M12)  
EN 175301-803 (11 mm)  
E03.62.520.N, IP65

19000005 to 19000045



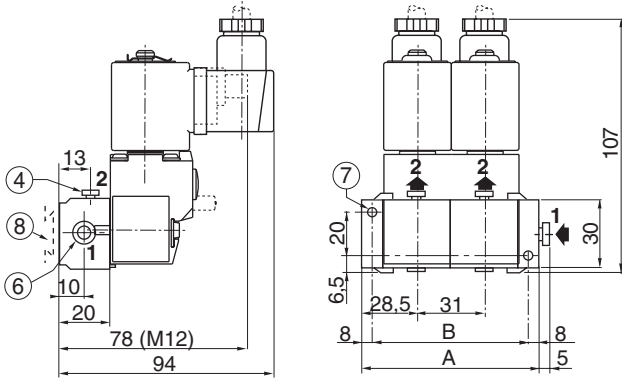
**TYPE 02**  
Single instant fitting subbase  
Polyamide

35300069



**TYPE 03**  
Joinable instant fitting subbase  
Polyamide

35300070 / 35300071 (set of 2)



type	weight <sup>(1)</sup>
01	0,270
02	0,135
06	0,260

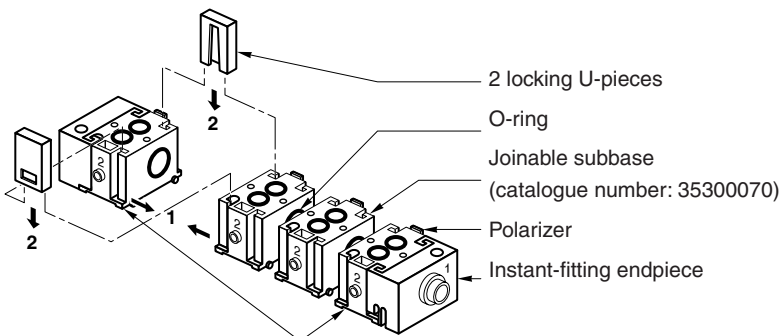
<sup>(1)</sup> including coil and connector. (except M12 connection type 06)

type	weight <sup>(2)</sup>						
	number of subbases						
	2	3	4	5	6	7	8
03+01	0,595	0,88	1,165	1,45	1,735	2,02	2,305

<sup>(2)</sup> Including seals, set screws and joining unit.

number of subbases	type 03	
	A	B
2	88	72
3	119	103
4	150	134
5	181	165
6	212	196
7	243	227
8	274	258

Right-hand pressure intake option or 2 different pressure intakes by procuring the set of two end subbases with endpieces (catalogue number: 35300072). When mounted on DIN rail, it is recommended to use a securing clip on the end subbases as well as on the central subbase.



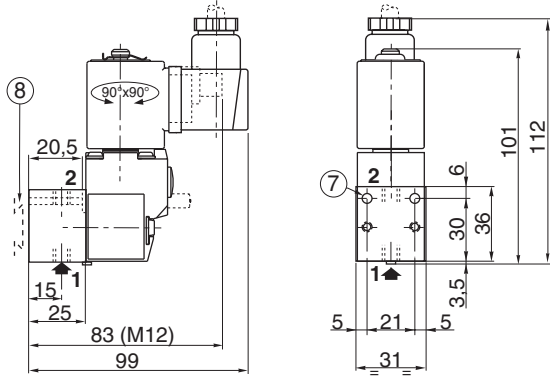
Joinable end subbases with instant-fitting endpieces  
(catalogue number: 35300071)

- ① Manual operator location
- ② Port 3: M5, depth 5,5 mm
- ③ Mounting: two CM4x20 screws
- ④ Instant-fitting connection for OD 4 mm tube
- ⑤ Mounting: two dia. 3,5 mm securing holes, dia. 6,5 mm counter-bores, depth 3,5 mm
- ⑥ Instant-fitting connection for OD 6 mm tube
- ⑦ Mounting: two dia. 4,5 mm securing holes
- ⑧ Adaptable clips

### DIMENSIONS (mm), WEIGHT (kg)

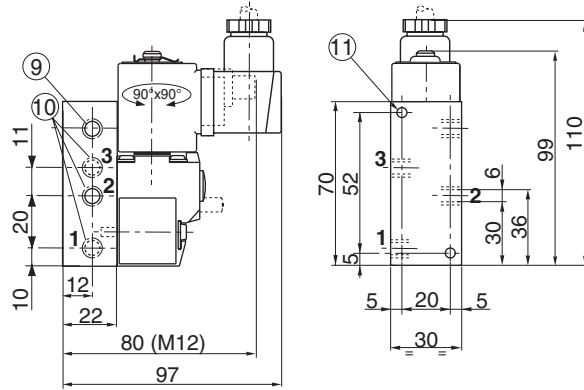
**TYPE 04**  
Single subbase  
1/8 - Zamak  
NC function only  
2 connectable ports

**35300047**



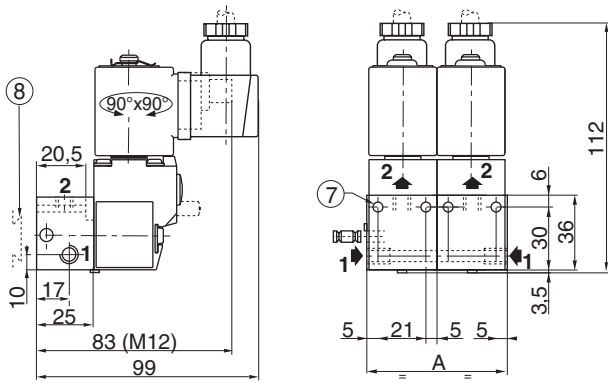
**TYPE 04**  
Single subbase  
1/4 - Zamak  
NC, NO or U function  
3 connectable ports

**35300048**



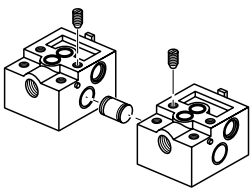
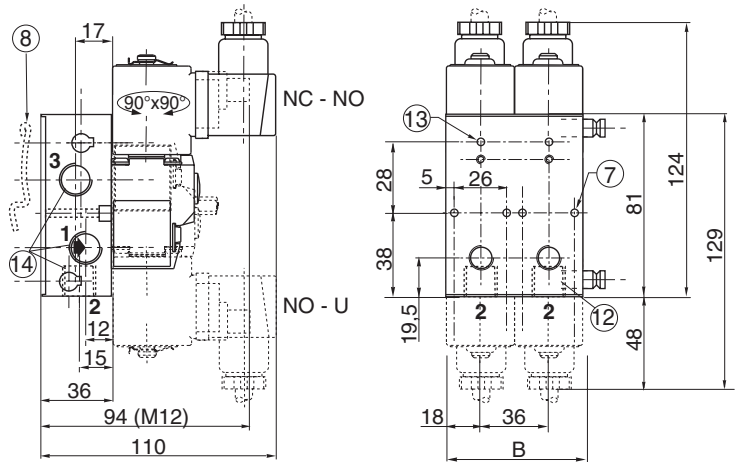
**TYPE 06**  
Joinable subbase  
1/8 - Zamak  
NC function only  
2 connectable ports

**35300048**



**TYPE 07**  
Joinable subbase  
1/4 - Zamak  
NC, NO or U function  
3 connectable ports

**35300057**



Joinable subbases assembled with adapter locked by sunk set screws.  
For DIN rail mounting: see type 03.

- ⑦ Mounting: two dia. 4,5 mm securing holes
- ⑧ Adaptable clips
- ⑨ Non-used port
- ⑩ Port 3: NC (exhaust) / NO (Inlet pressure)  
Port 2: NC - NO (Outlet pressure)  
Port 1: NC (Inlet pressure) / NO (exhaust)  
U: Pressure entry through any port
- ⑪ Mounting: two dia. 4,5 mm securing holes, dia. 8 mm counter-bores, depth 6 mm
- ⑫ Port 2: Accessible by removing cap
- ⑬ Mounting: two dia. 4,5 mm securing holes, dia. 7,5 mm counter-bores, depth 6 mm
- ⑭ NC-NO-U: Port 3 (exhaust) / Port 2 (Outlet pressure)  
Port 1 (Inlet pressure))

type	weight <sup>(2)</sup>							
	number of subbases							
	2	3	4	5	6	7	8	
06+01	0,74	1,10	1,48	1,85	2,22	2,59	2,96	
07+01	0,88	1,32	1,76	2,2	2,64	3,08	3,52	

<sup>(2)</sup> Including seals, set screws and joining unit.

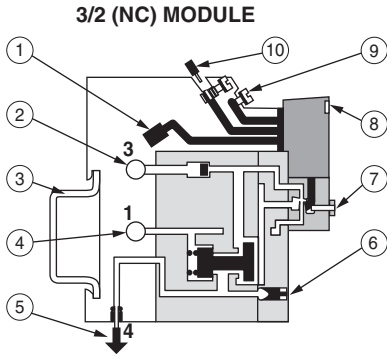
number of subbases	type 06	type 07
	A	B
2	62	72
3	93	108
4	124	144
5	155	180
6	186	216
7	217	252
8	248	288

type	weight <sup>(1)</sup>
04	0,185
05	0,240
04 + 01	0,455
05 + 01	0,510

<sup>(1)</sup> including coil and connector.

## FEATURES

- This interface will change an electric signal to a pneumatic signal with one or two outputs.
- Made up of modular joinable elements with 3/2 normally closed or 4/2 functions. The equipment can be fitted on standard symmetrical DIN rail ③

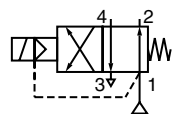
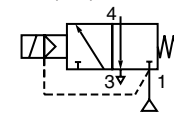


- ① Common supply tag
- ② Common exhaust
- ③ Standard symmetrical DIN rail
- ④ Common supply pressure
- ⑤ Pneumatic signal
- ⑥ Visual indication
- ⑦ Manual override
- ⑧ Visual indication of electric signal
- ⑨ Earth
- ⑩ Electric signal : - supply (A1)  
- neutral (A2)



3/2 (NC) MODULE

4/2 MODULE



## GENERAL

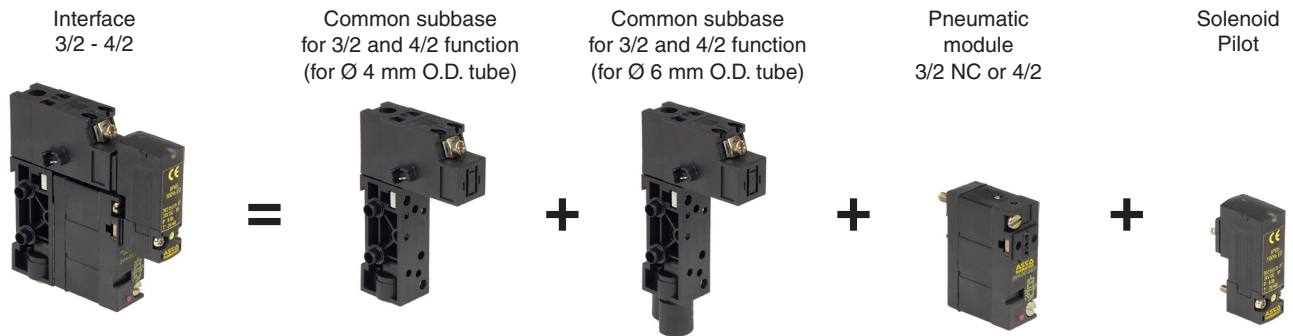
**Fluid**  
**Operating pressure**  
**Ambient temperature**  
**Flow (Qv at 6.3 bar)**  
**Assembly**  
**Solenoid valve**

Air or neutral gas filtered, lubricated or not  
3 to 8 bar  
- 10°C to + 40°C  
154 l/min( ANR) - Kv : 2.2  
On joinable subbases which can be mounted on DIN rail EN 50022  
3/2 normally closed mini solenoid valve with low electrical consumption

## ELECTRICAL CHARACTERISTICS

voltage (V)	consumption	insulation class	protection degree	electrical connection
~ 24 - 115 - 230	1,6 VA	H	IP 65	<ul style="list-style-type: none"> <li>• Solenoid valve plugs into the module</li> <li>• Common electric wire</li> <li>• Screw terminals (IP20)</li> </ul>
= 12 - 24	1,3 W			

## ASSEMBLY

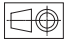


## CHOICE OF EQUIPMENT

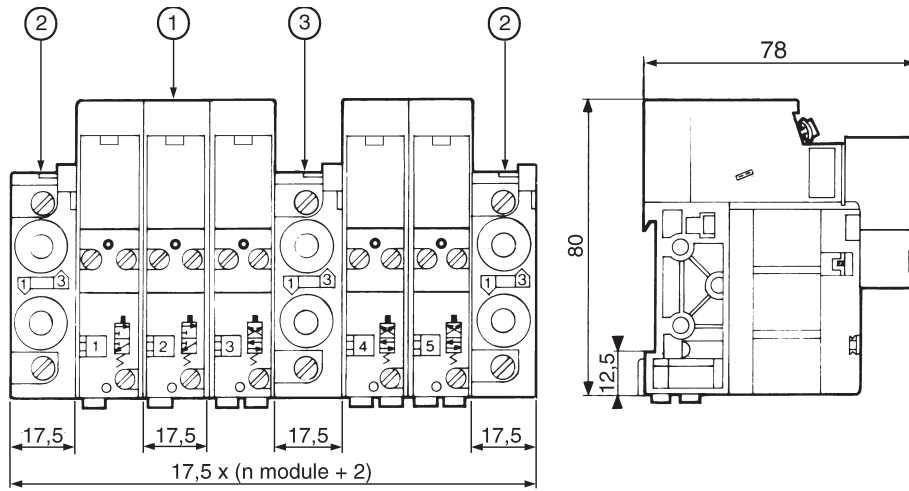
description		code (1)	
interface subbase (Ø 4 mm O.D. tube)		30400011	
interface subbase (Ø 6 mm O.D. tube)		30400024	
set of two end subbases (for Ø 6 mm O.D. tube)		30400001	
intermediate supply module (for Ø 6 mm O.D. tube)		30400004	
valve module 3/2 normally closed (NC)		30400007	
valve module 4/2		30400008	
solenoid pilot valve	manual override impulse	with LED (=)	30215178--P (2)
		without LED (-)	30211178--L (2)
with or without visual indicator (LED) and electrical protection	manual override screwdriver	with LED (=)	30215179--P (2)
		without LED (-)	30211179--L (2)
blank marking tags (50)		33400042	

(1) Each part must be ordered separately indicating the quantity and part number. They are delivered separately, unassembled  
(2) Specify voltage and frequency

**OPTION** : Solenoid pilot valve without visual indicator and electrical protection

**DIMENSIONS (mm), WEIGHT (kg)** 

weight (complete interface)
0,800



- ① Module
- ② Ends
- ③ Intermediate supply module for 2 different pressure in lets