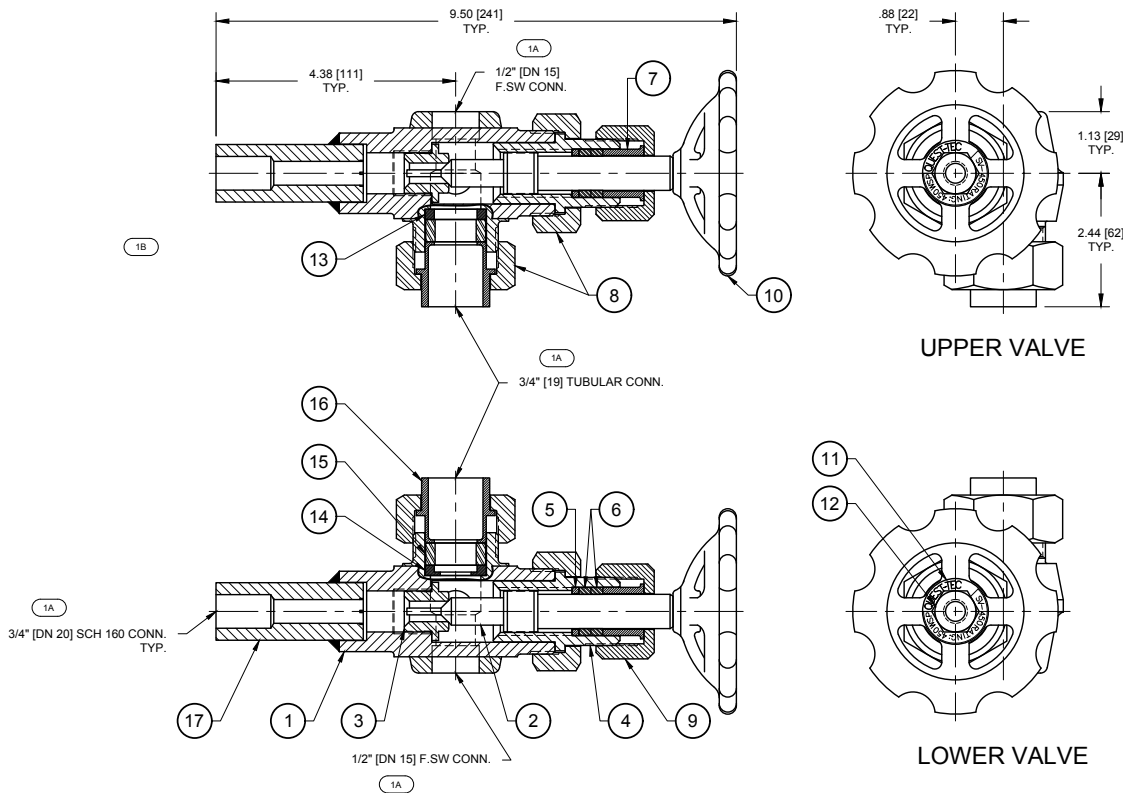


Specification

Pressure Rating:	450 PSI WSP (450 PSI @ 460 F saturated steam)	Standard Material	
Body Type:	Angle, Forged Steel Body	Body:	SA-105 CS
Body Pattern:	Offset	Stem Packing:	Graphite
Bonnet Type:	Union	Trim:	13CR
Seat Type:	Replaceable, Removeable	Stuffing Box Packing:	Gaphite
Maximum Temp:	750 F	Other non-standard material available, consult factory	

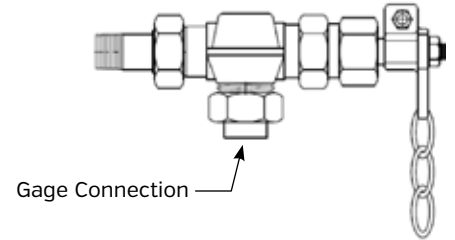
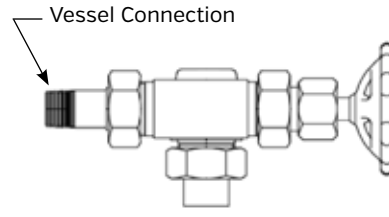
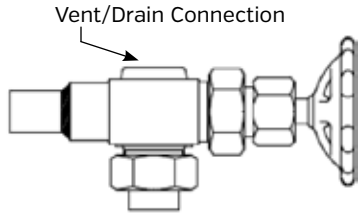
The SV-450 valve is specifically designed for use with a boiler water level gage glass. This valve is supplied as a valve set including one top valve, and one bottom valve. Each valve has 3 connection ports available in a wide range of sizes and types, [vessel x gage x vent/drain]. The angled flow path facilitates compact installation of the gage glass, bringing the assembly connection point to the side. The offset body pattern allows a direct path around the stem to clean through the vent/drain ports. The standard vent/drain ports are 1/2" F.NPT, 3/4" F.NPT and SW are also available. As a Questtec standard supplied with plain closing hand wheel with 2½ turns. Ball checks are omitted in standard form, and available as an option. Ball checks are neither required nor prohibited by ASME Section I.



BILL OF MATERIAL					
ITEM	DESCRIPTION	MATERIAL	ITEM	DESCRIPTION	MATERIAL
1	VALVE BODY	SA-105 CARBON STL	10	LEVER	CARBON STL
2	VALVE STEM	13 CR	11	HANDWHEEL NUT	316 SST
3	VALVE SEAT	13 CR	12	NAMEPLATE	304 SST
4	BONNET	CARBON STL	13	VESSEL CONN. TAIL PIECE	CARBON STL
5	PACKING WASHER	17-4 PH SS	14	UPPER GLASS SUPPORT	CARBON STL
6	STEM PACKING	GRAPHOIL	15	LOWER GLASS SUPPORT	CARBON STL
7	PACKING FOLLOWER	316 SST	16	STUFFING BOX PACKING	GRAPHOIL
8	PACKING NUT	CARBON STL	17	PACKING FOLLOWER	CARBON STL
9	UNION NUT	CARBON STL			

Model Code

EXAMPLE MODELS



MODEL: SV-450-V06I-G04U-D04T
VESSEL: 3/4" IPS PIPE STUB/SOLID SHANK
GAGE: 1/2" UNIFLEX GASKET UNION SW
VENT/DRAIN: 1/2" F.NPT

MODEL: SV-450-V06M-G06J-D04T
VESSEL: 3/4" M.NPT UNION
GAGE: 3/4" F.NPT UNION
VENT/DRAIN: 1/2" F.NPT

MODEL: SV-450-V06M-G06N-D06T-QL
VESSEL: 3/4" M.NPT UNION
GAGE: 3/4" STUFFING BOX
VENT/DRAIN: 3/4" F.NPT
QUICK CLOSE LEVER
CHAIN DROP: 6 FT

SV-450-V06I-G04US-D04S -

Vessel Connection Gage Connection Vent/Drain Connection Options

04	1/2"
06	3/4" [STD]
08	1"
10	1 1/4"
12	1 1/2"
16	2"
20	2 1/2"
24	3"

04	1/2" [STD]
06	3/4"
08	1"
10	1 1/4"
12	1 1/2"
16	2"
20	2 1/2"
24	3"

04	1/2" [STD]
06	3/4"
08	1"
10	1 1/4"
12	1 1/2"
16	2"
20	2 1/2"
24	3"

	PLAIN CLOSING HAND WHEEL, 2 1/2 TURN [STD]
QL	QUICK CLOSING WITH LEVERS [SEE NOTE 1]
Q	QUICK CLOSING [HAND WHEEL]
BC	BALL CHECKS [SEE NOTE 2]
W	CHAIN WHEEL [SEE NOTE 3]
X	SPECIAL PER REQUEST
LL	LIVE LOAD PACKING

M	MALE NPT x UNION
T	FEMALE NPT x UNION
S	SOCKET WELD x SOLID SHANK
H	SOCKET WELD x UNION
I	PIPE STUB x SOLID SHANK [STD]
W	PIPE STUB x UNION
F	FLANGE x SOLID SHANK [DESCRIBE FLANGE BELOW: CLASS/FACE/WELD TYPE]
C	FLANGE x UNION [DESCRIBE FLANGE BELOW: CLASS/FACE/WELD TYPE]
X	SPECIAL PER REQUEST

T	F.NPT
N	STUFFING BOX
US	UNIFLEX GASKET UNION X SW
U	UNIFLEX GASKET UNION x F.NPT [STD]
S	SOCKET WELD
J	F.NPT UNION
F	FLANGE x SOLID SHANK [DESCRIBE FLANGE BELOW: CLASS/FACE/WELD TYPE]
X	SPECIAL PER REQUEST

T	F.NPT
S	SOCKET WELD [STD]
F	FLANGE x SOLID SHANK [DESCRIBE CLASS/FACE/WELD TYPE]
X	SPECIAL PER REQUEST

FLANGE SPECIFICATION

FLANGE CLASS	FLANGE FACE	FLANGE WELD TYPE
150	RF	SO
300	RTJ	SW
600		WN

SEE NOTE 4, 5, 6

NOTE:

- When specifying quick closing levers, describe chain drop length, or indicate no chain.
- When selecting ball check option, ASME Section I requirements [A-18] are followed. Contact factory for detailed information.
- When specifying chain wheel, describe chain drop length, or indicate no chain.
- When specifying flanged vessel connection, solid shank (non-union) F model code is typically used.
- Typical flange class used with the 450 PSI valve model are 150 and 300, other flange class and valve models available.
- Other "oddball" flange face types available such as tonque/groove or male/female, consult factory.
- [STD], Questtec Standard



ISO 9001: 2008
QMS, Cert.#0736

www.qtslevel.com



ASME Sec. VIII
Div I BPVC
Certified
Manufacturing

CNC Precision
Machining for all
components