

SOLD TO :  
 ULTIMATE CUSTOMER :  
 (IF AVAILABLE)

P.O. # :  
 P.O. # :

AMETEK NO. :

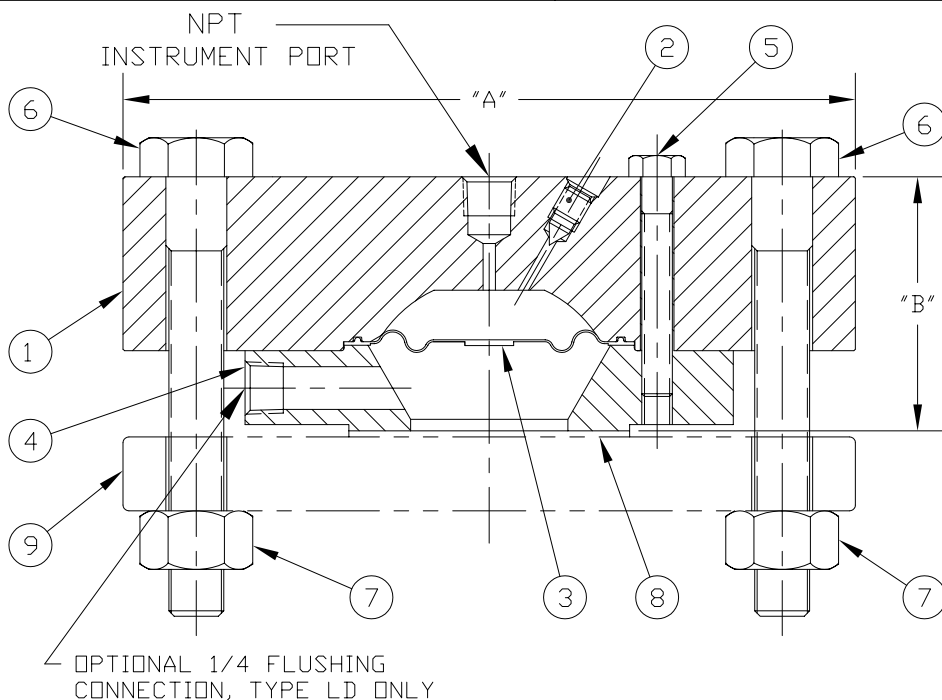
DRW. TO :

CUST. SPEC. NO. :

ORDER ITEM NO. :

QUANTITY :

FILL FLUID :



DESCRIPTION	QTY.
① TOP	1
② FILLING SCREW	1
③ DIAPHRAGM	1
④ BOTTOM	1
⑤ SCREW 5/16-18 X 2-1/4"	8
⑥ BOLT 5/8-11 X 4" LG. (BY USER)	4
⑦ NUT 5/8" FLAT (BY USER)	4
⑧ GASKET (BY USER)	1
⑨ FLANGE (BY USER)	1

TYPE LC & LD  
 METAL EXPOSED SURFACE  
 SEE SK-5431 FOR DIMENSIONS

INSTRUMENT DESCRIPTION

- INSTALLATION : - INSTALL CALIBRATED UNIT (PART #'S 1, 2, 3, 4, & 5) ON STANDARD ANSI FLANGE.  
 - SECURE WITH BOLTS PART #6 AND NUTS PART #7.
- OPERATION : - WHEN CLEANING IS REQUIRED REMOVE BOLTS PART #6, NUTS PART #7, AND CALIBRATED UNIT.  
 - CLEAN AND REINSTALL USING A NEW GASKET.
- CAUTION : - DO NOT LOOSEN INSTRUMENT OR FILLING SCREW PART #2, AS LOSS OF LIQUID FILL WILL RESULT AND RECALIBRATION WILL BE NECESSARY.

DRAWING CERTIFIED CORRECT,  
 DATE :

AMETEK/ TCI DIVISION



**AMETEK**

TEST AND CALIBRATION INSTRUMENTS DIVISION

LARGO , FLORIDA

CODE IDENT. NO.  
 92456

REVISION  
 DATE

A  
 04/06/98

AMETEK DIAPHRAGM SEAL TYPE LC & LD  
 DATA AND INSTRUCTION SHEET  
 DRAWING NO. : SK-5422