

QUANTUM™ ROTARY CONTROL MONITORS

WEATHERPROOF - NEMA

Rotary position control monitors for quarter-turn valve applications that are designed specifically for general purpose applications in non-hazardous areas.



FEATURES

- Quantum enclosures integrate position sensors and low power solenoid valves into a single unit.
- Solenoid coils integrated within Quantum housing.
- Choice of factory pre-wired 3 and 4 way Falcon solenoid valves.
- Solenoid valves with a choice of C_v ratings and coil voltage.
- Strong durable Beacon™ offers 360° visual indication in a choice of styles and colors.
- Touch set cams are hand adjustable, spring loaded and self-locking providing quick calibration of position switches and sensors.
- Terminal strips are pre-wired and numbered for ease of use.
- Additional conduit for easy field wiring and mounting accessories as standard.
- Standardized mounting pattern for easy adaptation to common bracketry.
- Robust stainless steel conduit entry inserts provide protection from excessive torque and reliable grounding.
- NAMUR shaft output compliant to VDI/VDE 3845 available.
- Engineered resin enclosure is robust, lightweight and provides exceptional chemical, UV and impact resistance.
- Aluminum enclosures with ultra-low copper content (0.2% maximum) suitable for corrosive environments.
- Rugged stainless steel enclosure.

TECHNICAL DATA

Agency approvals

Enclosure standards (ANSI/NEMA 250)

All enclosures

Type 4, 4X

Switches

Models 764/784/864

V3 SPDT mechanical switches

DPDT mechanical switches

Enclosures

Models 764/864

Model 784

Model 784

Engineered resin

Aluminum

Stainless steel

Falcon solenoid valves

C_v

Choice of 1.4 and 4.3

Materials

Brass, aluminum and stainless steel

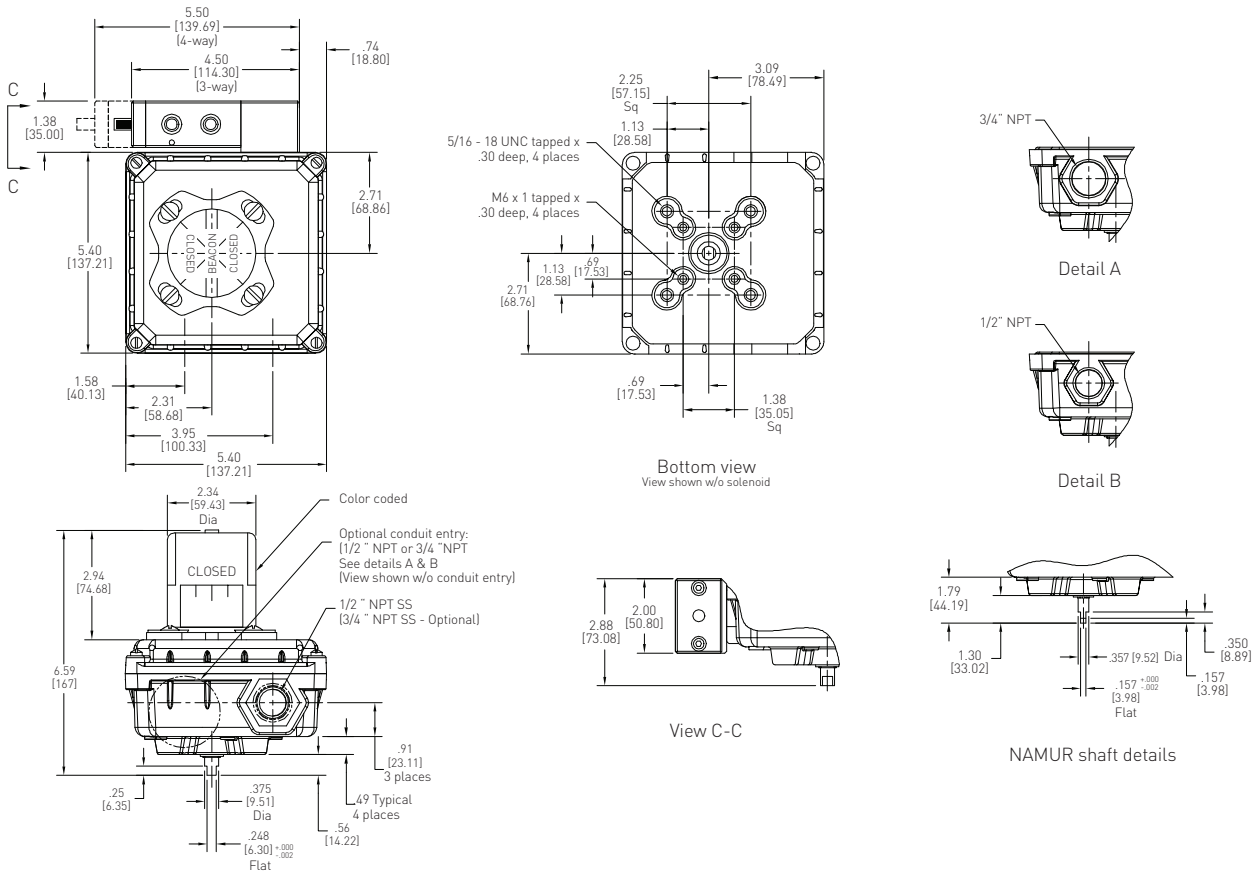
GENERAL APPLICATION

Quantum control monitors combine consistent and accurate valve monitoring with the control of automation process valves using integrated position sensors and low power solenoid valves in a single compact unit.

QUANTUM™ ROTARY CONTROL MONITORS

WEATHERPROOF - NEMA

MODEL 764 DIMENSIONS



Dimensions in inches, where available metric dimension (mm) in parentheses

TECHNICAL SPECIFICATIONS

Materials of construction

Enclosure	Engineered polyamide resin
Shaft and hardware	Stainless steel
Bushing	Nylon
Beacon visual indicator	Co-polyester

Drive shaft

Westlock standard	Double-D with 1/4" A/F
NAMUR standard	NAMUR standard VDI/VDE 3845

Available switches

	V3 mechanical switches, SPDT
	DPDT mechanical switches

NOTES

1. See selection guide for standard conduit entries
2. See switches & sensors data sheet for further information
3. Please consult your sales office for any other requirements

SOLENOID VALVES

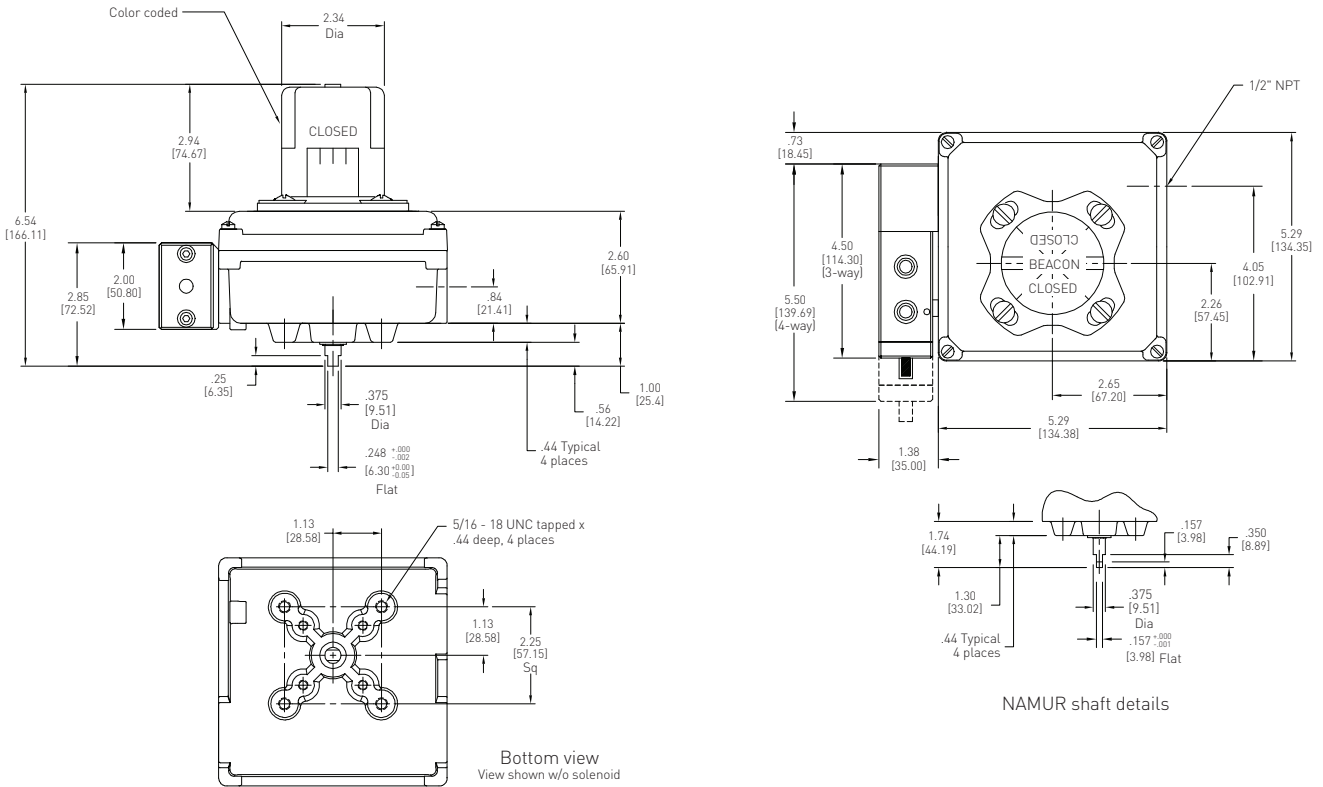
The Falcon range of solenoid valves allows you to choose the material, voltage, number of ports, number of coils and C_v to best suit your application. See the Falcon data sheet for more information.



QUANTUM™ ROTARY CONTROL MONITORS

WEATHERPROOF - NEMA

MODEL 784 DIMENSIONS



Dimensions in inches, where available metric dimension (mm) in parentheses

TECHNICAL SPECIFICATIONS

Materials of construction

Enclosure	Aluminum with powder coat finish
Shaft and hardware	Stainless steel
Bushing	Oil impregnated bronze
Beacon visual indicator	Co-polyester

Drive shaft

Westlock standard	Double-D with 1/4" A/F
NAMUR standard	NAMUR standard VDI/VDE 3845

Available switches

V3 mechanical switches, SPDT
DPDT mechanical switches

Options

Stainless steel enclosure

SOLENOID VALVES

The Falcon range of solenoid valves allows you to choose the material, voltage, number of ports, number of coils and C_v to best suit your application. See the Falcon data sheet for more information.



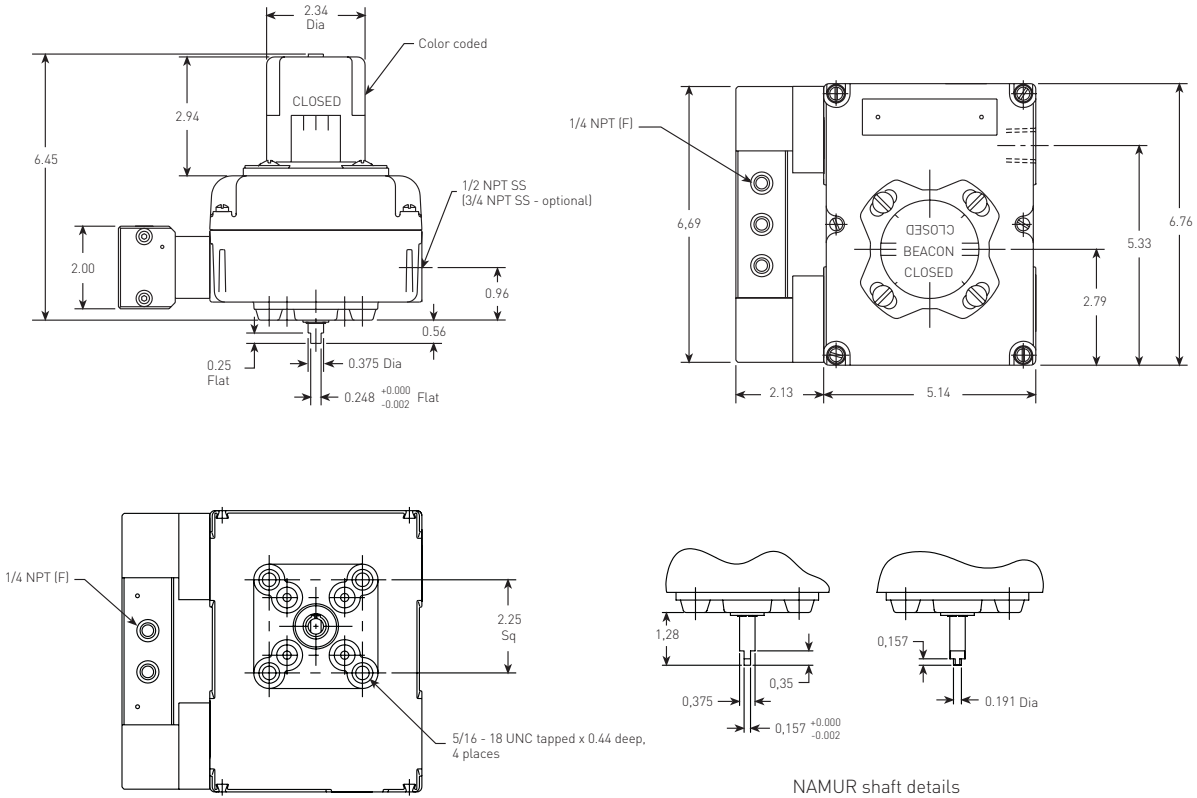
NOTES

1. See selection guide for standard conduit entries
2. See switches & sensors data sheet for further information
3. Please consult your sales office for any other requirements

QUANTUM™ ROTARY CONTROL MONITORS

WEATHERPROOF - NEMA

MODEL 864 DIMENSIONS



Dimensions in inches

TECHNICAL SPECIFICATIONS

Materials of construction

Enclosure	Engineered polyamide resin
Shaft and hardware	Stainless steel
Bushing	Nylon
Beacon visual indicator	Co-polyester

Drive shaft

Westlock standard	Double-D with 1/4" A/F
NAMUR standard	NAMUR standard VDI/VDE 3845

Available switches

V3 mechanical switches, SPDT
DPDT mechanical switches

SOLENOID VALVES

The Falcon range of solenoid valves allows you to choose the material, voltage, number of ports, number of coils and Cv to best suit your application. See the Falcon data sheet for more information.



NOTES

1. See selection guide for standard conduit entries
2. See switches & sensors data sheet for further information
3. Please consult your sales office for any other requirements

QUANTUM™ WEATHERPROOF ROTARY CONTROL MONITORS

MODELS 764/784/864 SELECTION GUIDE

Base model

- 764- Engineered resin enclosure
- 784- Aluminum enclosure^[3]
- 864- Engineered resin enclosure for dual coil^[3]

Shaft output

- S Standard (double-D with ¼" flats)
- N NAMUR

Beacon

- | | | | |
|----|---------------------------|----|-------|
| BY | BM2-Y (standard) | B1 | BM3-1 |
| RG | BM2-RG | B3 | BM3-3 |
| FE | BM2-Y-FE (French/English) | B5 | BM3-5 |
| AB | BM2-B | B7 | BM3-7 |
| AR | BM2-R | B9 | BM3-9 |
| FC | Flat cover | | |

Conduit

- 1A One ½" NPT (F)
- 1B One ¾" NPT (F)
- 2A Two ½" NPT (F)
- 2B Two ¾" NPT (F)

Position switches

- 2M02 Two SPDT mechanical switches - 8 pt. TS
- 2M04 Two DPDT mechanical switches (in Model 864 only with single coil valve bodies) - 16 pt. TS

Analog position transmitter

- 00 Not available

Coil voltage

- D 24 V DC
- A 120 V AC

Falcon V valve body

- | | | | |
|-----|----------------------------|-----|------------------------------|
| 2V3 | 1.4 Cv, 3-way, brass | 2V7 | 1.4 Cv, 4-way, brass |
| 3V3 | 1.4 Cv, 3-way, aluminum | 3V7 | 1.4 Cv, 4-way, aluminum |
| 5V3 | 1.4 Cv, 3-way, 316 SS | 5V7 | 1.4 Cv, 4-way, 316 SS |
| 3V4 | 4.3 Cv, 3-way, aluminum** | 3V8 | 4.3 Cv, 4-way, aluminum |
| 2VY | 1.4 Cv, dual coil, brass* | 3VY | 1.4 Cv, dual coil, aluminum* |
| 5VY | 1.4 Cv, dual coil, 316 SS* | 3VZ | 4.3 Cv, dual coil, aluminum* |

Valve options

- 0 None
- M Momentary over-ride
- L Locking over-ride
- R Manual reset
- N Manual reset with latch
- E External pilot

764- N BY 1A 2M02 00 D 3V3 0 = Model number **764-NBY1A2M0200D3V30**

NOTES

- * Dual coil valve body options only available with base model 864.
- ** 3V4 valves are 3V8 valves with ports 2 & 3 plugged at factory for 3-way functionality.

1. Please contact your sales office for guidance on selecting the best possible combination for your control and monitoring requirements.
2. See Hazardous area classification technical bulletin for further information on global standards.
3. For stainless steel enclosure, please add '00124' to the end of your part number built with the above selection guide.



www.westlockcontrols.com

Westlock. We reserve the right to change designs and specifications without notice.