



CustomControlSensors

# Hazardous Areas Adjustable Temperature Switch

## 6403TUE\* - Capillary

### SERIES:

6403TUE\*

### ADJUSTABLE SET POINT RANGE:

TEMPERATURE:

-43° to 630° F

-42° to 332° C

### OPERATING TEMPERATURE:

-40° to 186°F

-40° to 86°C

### STANDARD FEATURES:

- Hermetically Sealed Electrical Assembly
- Integral Junction Box
- ATEX - Baseefa Certified
- CE Mark
- NACE MR0175:2003
- NEMA: 4, 7, 9, 13 / IP66 & 67

### DESCRIPTION

- Highly reliable devices utilizing the CCS Dual-Snap® Belleville disc spring principle pioneered by CCS' engineers.
- Engineering based on aerospace technology.
- Rigid and internally adjustable for convenient field set point adjustment.
- Repeatable and stable set points.
- Vibration and shock resistant.
- High cycle life.

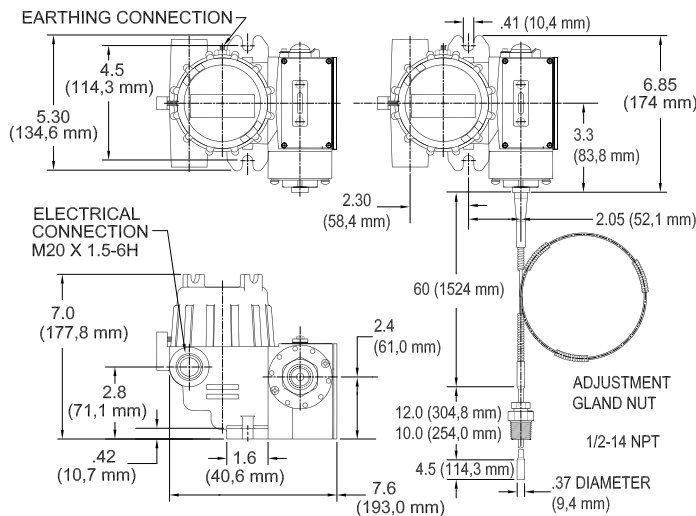


6403GZE Series Shown

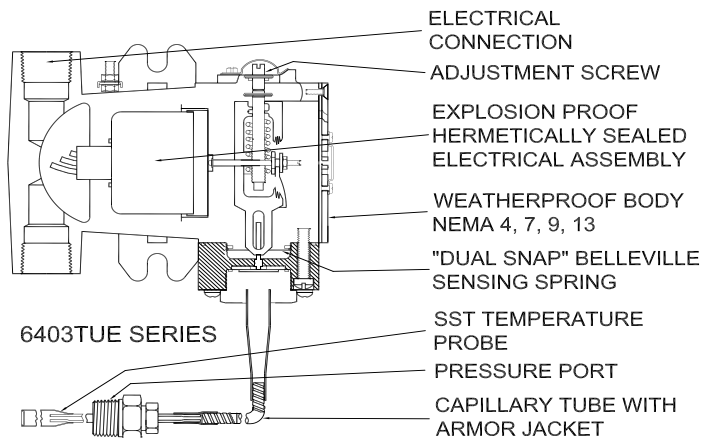
- High over-temperature capability. (System and Proof)
- Various options for wetted materials and electrical ratings to meet a wide range of application requirements and media capability.

SHIPPING WEIGHT: APPROXIMATELY 8 LBS (3.6 KGS)

### INSTALLATION DRAWING



### DESIGN PRINCIPLES



**FIELD SETTING:** Loosen access cover. Adjust adjustment screw using screwdriver. Clockwise to increase settings. Counterclockwise to decrease setting.



CustomControlSensors

# Hazardous Areas Adjustable Temperature Switch

## 6403TUE\* - Capillary

### OPERATING AND ORDERING DATA

SERIES 6403TUE*	WETTED PARTS: STAINLESS STEEL TEMPERATURE PROBE WITH 5' STAINLESS STEEL GRAPHITE AND LUBRICATED GLASS FIBER CAPILLARY TUBE				
	ADJUSTABLE SET POINT RANGE DEGREES F (DEGREES C)		APPROX. DEAD BAND DEGREES F (DEGREES C)		MAXIMUM PROBE TEMPERATUR DEGREES F (DEGREES C)
	INCREASING TEMPERATURE	DECREASING TEMPERATURE	AT BOTTOM OF RANGE	AT TOP OF RANGE	
6403TUE*1	-30° to +55° (-34° to +13°)	-43° to +10° (-17 to 12)	9° (5°)	3° (2°)	+200° (+93°)
6403TUE *2	+35° to +140° (+2° to +60°)	+21° to +135° (-6° to +57°)	14° (8°)	5° (3°)	+300° (+149°)
6403TUE *3	+90° to +210° (+32° to +99°)	+75° to +205° (+24° to +96°)	15° (8°)	5° (3°)	+300° (+149°)
6403TUE *4	+175° to +310° (+79° to 154°)	+159° to +305° (+71° to +152°)	16° (9°)	5° (3°)	+500° (+260°)
6403TUE *5	+275° to +420° (+135° to +216°)	+256° to +414° (+124° to +212°)	19° (11°)	6° (3°)	+500° (+260°)
6403TUE *6	+380° to +525° (+193° to 274°)	+355° to +520° (+179° to +271°)	25° (14°)	5° (3°)	+600° (+316°)
6403TUE*7	+480° to +630° (+249° to +332°)	+456° to +624° (+234° to +329°)	24° (13°)	6° (3°)	+650° (+343°)

EXTERNAL PROBE PRESSURE:  
**System Pressure: 1250 PSIG (86 bar)      Proof Pressure: 1500 PSIG (103 bar)**

### HOW TO ORDER

Follow these steps to build your part number:

1. Specify the series based on your required set point, range, dead band, system pressure and proof pressure.
2. Add desired options model code letter.
3. Add the applicable standard suffix number.

(Ex: 6403TUEM7-7001)

### TEMPERATURE CONVERSION

32 Deg F = 0 Deg C

### OPTIONAL STANDARD MODIFIED SUFFIXES

- 7001:** 10' Capillary
- 7002:** 15' Capillary
- 7003:** 25' Capillary
- 7008:** Gold Contacts

### THERMOWELLS

Order as separate line items. See accessory page for detailed information.

- 113-34-1:** 1" 316 SST 4.5" "U" Dim.
- 113-34-2:** 1" 316 SST 7.5" "U" Dim.
- 113-34-3:** 1" 316 SST 10.5" "U" Dim.
- 113-34-4:** 1" 316 SST 13.5" "U" Dim.
- 113-35-1:** 3/4" 316 SST 4.5" "U" Dim.
- 113-35-2:** 3/4" 316 SST 7.5" "U" Dim.
- 113-35-3:** 3/4" 316 SST 10.5" "U" Dim.
- 113-35-4:** 3/4" 316 SST 13.5" "U" Dim.

### OPTIONS MODEL CODES

**M:** DPDT Electrical

### ELECTRICAL ENCLOSURE CERTIFICATIONS

\* ATEX - Certificate No. Baseefa04ATEX0113. Baseefa certified for potentially explosive atmospheres electrical assembly series. In compliance with EN 60079-0: 2004, EN 60079-1: 2004 and EN 50281-1-1:1998 + Amendment 1. (Standard)

### CERTIFICATIONS

Consult CCS website for complete certification and approval listing.

*Note: Additional modified standard suffixes are available, consult CCS sales department or CCS Representative.*

### ELECTRICAL CHARACTERISTICS RATING OF SWITCH ELEMENT

VOLTS	AMPERES	
	SPDT	DPDT "M"
	Res.	Res.
125 AC - 50/60 Hz	15	11
250 AC - 50/60 Hz	15	11
480 AC - 50/60 Hz	15	-
28 DC	-	5
125 DC	.5	.5
250 DC	.2	-
*125 AC - 50/60 Hz	1 max	1 max
*30 DC	1 max	1 max

\*Gold Contacts -7008 Suffix

