

707F/717F Sanitary Butterfly Valve



For High Purity
Applications

Food & Beverage

Cosmetic

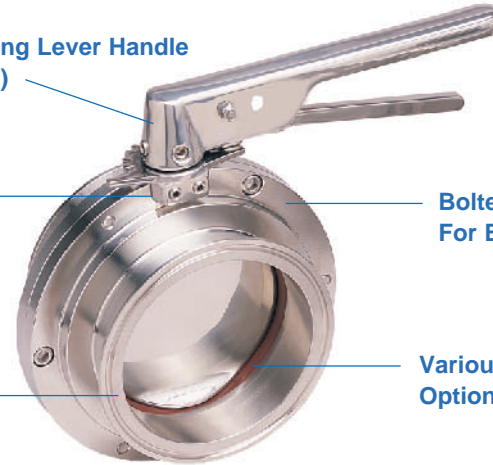
The 707F/717F Series Sanitary Butterfly Valve

The 707/717 series butterfly valve incorporates several improved design features to enhance your process performance. The valve's uniform bore diameter improves flow and eliminates pooling of potential contaminants. The wider seating area reduces seat wear and seat pull-out problems. Various options are available to meet your application requirements.

Multi-Position Locking Lever Handle
(optional on the 707)

Automation Available
(717F only)

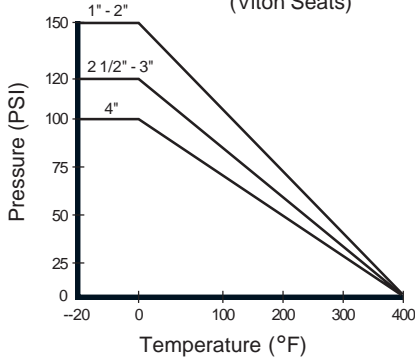
Clamp or Tube
Buttweld Ends



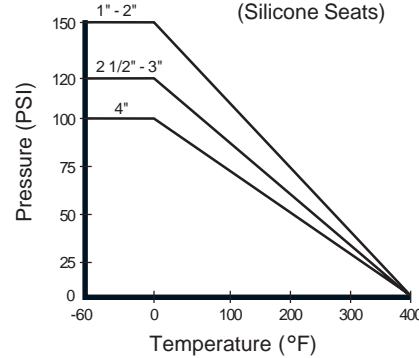
Bolted Body
For Easy Maintenance

Various Seat
Options

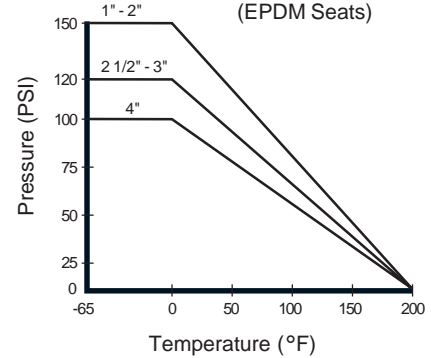
707/717 Pressure / Temperature Chart
(Viton Seats)



707/717 Pressure / Temperature Chart
(Silicone Seats)



707/717 Pressure / Temperature Chart
(EPDM Seats)



Standard Features and Benefits

- 1 Leak-Proof, Bubble-Tight Shut-Off
- 1 Easy-to-Use, Polished, Two-Position 360° Turn Handle (707F)
- 1 Ten-Position, 180° Turn Locking Lever Handle (717F)
- 1 Uniform Bore Diameter Improves Flow Characteristics and Eliminates Pooling of Potential Contaminants
- 1 Light Weight for Less Stress on Tubing Lines
- 1 All Wetted Materials Approved for Use in Food and Beverage Processing
- 1 Blow-Out-Proof Stem
- 1 25 Ra ID Finish
- 1 Drilled for Actuation

Options

- 1 Ten-Position, 180° Turn Locking Lever Handle (707F)
- 1 Vertically Mounted Stainless Steel Food Grade Pneumatic Actuation
- 1 Tube Clamp End and Tube Butt Weld End Connections
- 1 Food Grade EPDM or Viton Seat Available
- 1 Horizontal Rack and Pinion Actuator Available (717F)
- 1 Electric Actuation Available

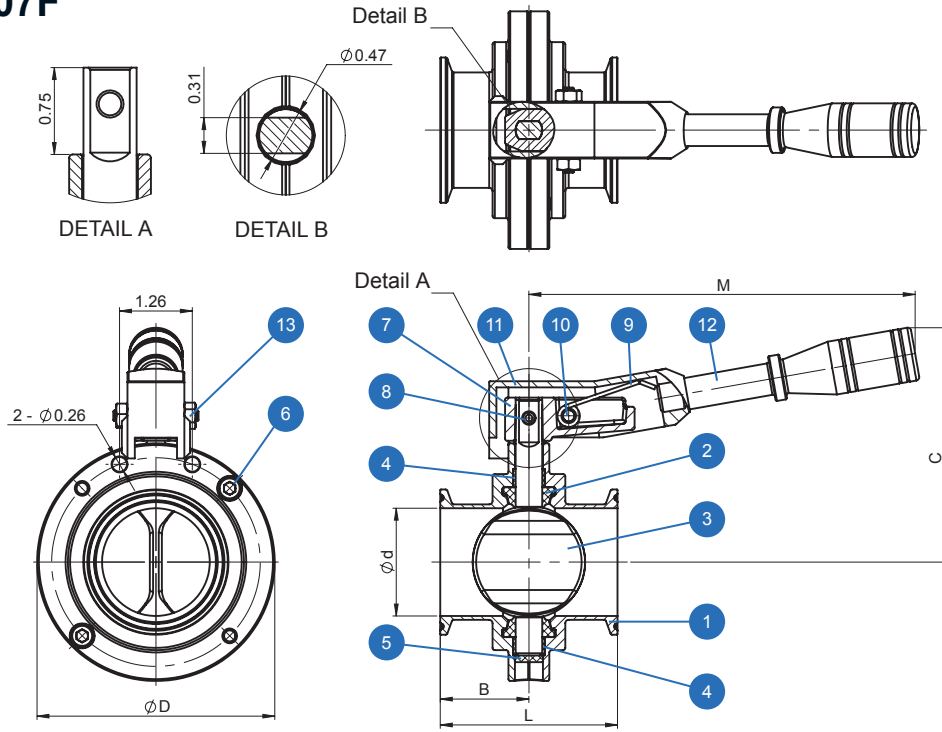
Operating Conditions

- 1 Temperature Range :
 - 20°F - 400°F (Viton Seat)
 - 60°F - 400°F (Silicone Seat)
 - 65°F - 200°F (EPDM Seat)
- 1 Maximum Pressure (All Seats):
 - 150 PSI (1" - 2"), 120 PSI (2 1/2" - 3"), 100 PSI (4")

Specifications

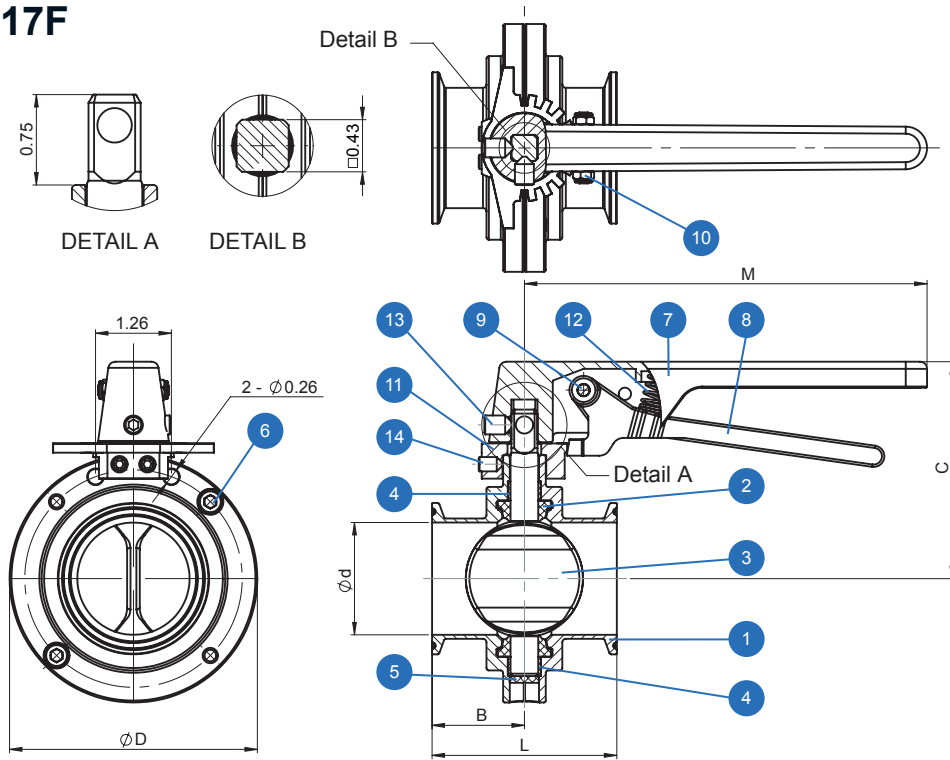
- 1 Valves inspected and tested to API 598 and MSS SP-61 leakage requirements
- 1 All materials comply with applicable ASTM material specifications and FDA material requirements
- 1 Material test reports available upon request

707F



707F Valve Components			
#	Part Name	Material	Qty.
1	Body	304SS	2
2	Seat	Silicone	1
3	Stem Disc	304SS	1
4	Stem Bearing	TFM	2
5	Body Seal	Silicone	1
6	Body Bolt	304SS	4
7	Spring Housing	304SS	1
8	Set Pin	301SS	1
9	Handle Spring	301SS	1
10	Handle Bolt	304SS	1
11	Handle Head	304SS	1
12	Handle	304SS	1
13	Handle Nut	304SS	2

717F



717F Valve Components			
#	Part Name	Material	Qty.
1	Body	316SS	2
2	Seat	Silicone	1
3	Stem Disc	CD4MCu	1
4	Stem Bearing	TFM	2
5	Body Seal	Silicone	1
6	Body Bolt	304SS	4
7	Handle	304SS	1
8	Handle Lever	304SS	1
9	Handle Bolt	304SS	1
10	Handle Nut	304SS	2
11	Key Pad	304SS	1
12	Handle Spring	301SS	1
13	Socket Set Screw - M8	301SS	2
14	Socket Set Screw - M6	301SS	2

Dimensions (Inches)

Size	L	B	C		D	d	M		Weight (lbs) Clamp End		Torque (in.lbs)
			707F	717F			707F	717F	707F	717F	
1	2.75	1.37	3.55	3.21	3.11	0.87	6.69	6.69	3.03	2.95	58
1 1/2	2.91	1.46	3.76	3.22	3.35	1.37	6.69	6.69	3.10	3.01	60
2	3.07	1.54	4.06	3.60	4.12	1.87	6.69	6.69	4.15	4.06	144
2 1/2	3.07	1.54	4.45	3.87	4.54	2.36	6.69	6.69	5.83	4.62	170
3	3.07	1.54	4.45	4.00	4.90	2.85	6.69	6.69	5.19	5.08	320
4	3.46	1.73	5.35	4.63	6.17	3.80	8.16	6.69	7.92	7.68	480

707F/717F Ordering Information

Example: 2" Full Port Sanitary Butterfly Valve, 316SS Body, CD4MCu Stem Disk, Silicone Seats and Seals, Clamp Ends, Multi-Position Locking Lever Handle, 25 Ra Max Mechanically Polished

Valve Series	Valve Size	Body Material	Stem Material	Seat	End Connection	Handle	Surface Finish
707F / 717F - Full Port	A 1" C 1 1/2" D 2" E 2 1/2" F 3" G 4"	6 - A351 Gr. CF8M (316) (717F only) 4 - A351 Gr. CF8 (304) (707F only)	C - CD4MCu (717F only) 4 - A351 Gr. CF8 (304) (707F only)	L - Silicone V - Viton E - EPDM	C - Clamp O - Butt Weld R - I-Line Female V - I-Line Male W - Bevel Seat Thread X - Special	10 - Multi-position 02 - 2-position	SFV2 [†] - 25 Ra Max. Mech. Polish SFV1 - 20 Ra Max. Mech. Polish SFV4 - 15 Ra Max. Electropolish SFV5 - 20 Ra Max. Electropolish

[†]SFV2 is Standard Finish

Automated 717F Ordering Information

Example: 1" Automated Full Port Sanitary Butterfly Valve, 316SS Body, CD4MCu Stem Disk, Silicone Seats and Seals, Clamp Ends, Stainless Steel Food Grade Actuator, 25 Ra Max Mechanically Polished

Valve Series	Valve Size	Body Material	Stem Material	Seat	End Connection	Actuator Type	Surface Finish
A717F - Automated	A 1" C 1 1/2" D 2" E 2 1/2" F 3" G 4"	6 - A351 Gr. CF8M (316)	C - CD4MCU	L - Silicone V - Viton E - EPDM	C - Clamp O - Butt Weld R - I-Line Female V - I-Line Male W - Bevel Seat Thread X - Special	DA - Double Acting SR - Spring Return M - Electric SF1 - Stainless Steel Food Grade	SFV2 [†] - 25 Ra Max. Mech. Polish SFV1 - 20 Ra Max. Mech. Polish SFV4 - 15 Ra Max. Electropolish SFV5 - 20 Ra Max. Electropolish

Due to continuous product development, information may change without notice.

[†]SFV2 is Standard Finish



INLINE INDUSTRIES, INC.

9056 Garvey Avenue
Rosemead, CA 91770
Tel: (626) 813-6188
Fax: (626) 813-6186
www.ballvalve.com
info@ballvalve.com

Distributed by: