

109S Ball Valve

1-Piece Standard Port (ASME Class 150)
ISO 5211 Mounting Pad



For Manual &
Automated Service

General Chemical

Industrial

Corrosion Resistant
Applications

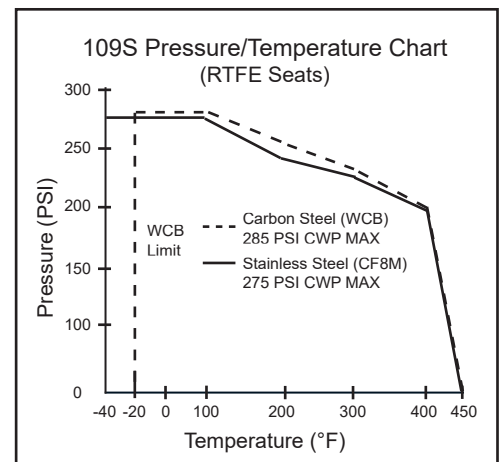
Fire-Safe with
Graphite Seals

Standard Features and Benefits

- **ISO 5211 Mounting Pad**
Ease of Automation
- **Investment Cast**
Improves dimensional control and reduces porosity
- **High-Cycle, Live-Loaded Stem Packing**
Provides constant load on the stem and seal extending service life
- **Blow-Out-Proof Stem**
Stem is bottom loaded to prevent removal while valve is in service
- **Anti-Static Device**
Grounds ball and stem to valve body
- **Saturated Steam Applications to 150 psi**
- **Castings Meet NACE MR0175/ISO 15156**

Options

- **Fire-Safe to API 607 5th Edition (2" - 3")**
- **Stem Extensions**
- **Weld-On Steam Jackets**
- **Upstream Relief Vent Holes**
- **Complete Automation Packages**
- **Material Test Reports Available Upon Request**



Operating Conditions

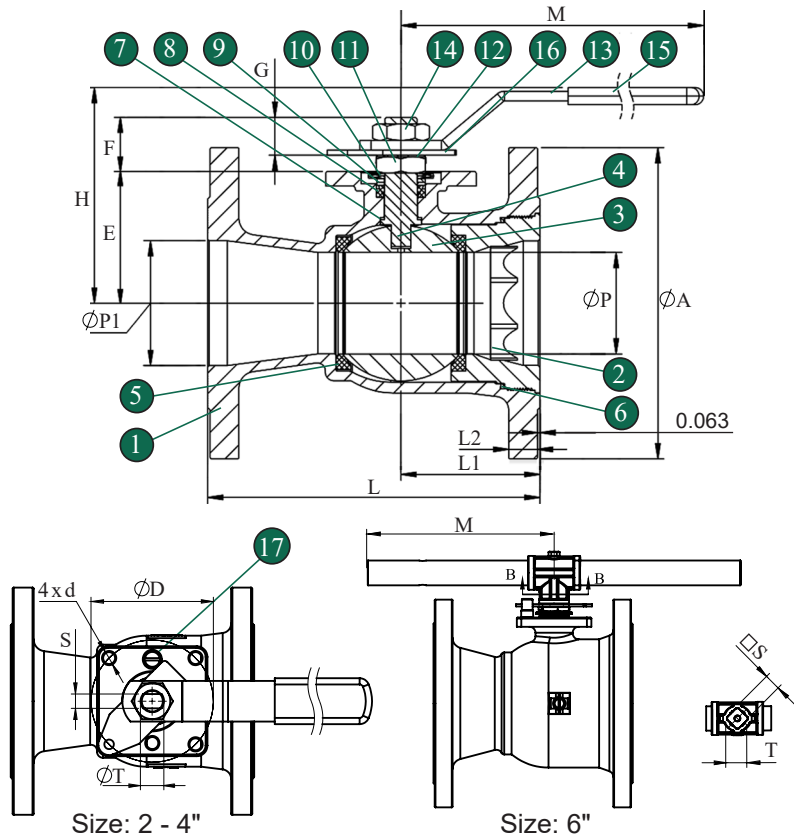
- **Temperature Range (RTFE):**
-40°F ~ 450°F
- **Maximum Pressure (RTFE):**
ASME 150: 285 PSI CWP (WCB)
ASME 150: 275 PSI CWP (CF8M)

Specifications

- All valves shell and seat tested to ANSI/ASME B16.34 and API 598
- Length to ASME B16.10
Flanges to ASME B16.5

Valve Components			
No.	Part Name	Material	Qty
1	Body	CF8M	1
2	Insert	CF8M	1
3	Ball	316 SS	1
4	Stem	316 SS	1
5	Seat	RTFE (15% C.F.)	2
6	Body Seal	PTFE	1
7	Thrust Washer	PEEK	1
8	Stem Packing Set	PTFE	1
9	Packing Gland	304 SS	2
10	Belleville Washer	301 SS	2
11	Gland Nut	304 SS	1
12	Gland Nut Lock Washer	304 SS	1
13	Handle	304 SS*	1
14	Handle Nut	304 SS*	1
15	Handle Cover	Vinyl*	1
16	Stop Plate	304 SS	1
17	Stop Pin	304 SS	1

*6" 109S T-Handle is made of carbon steel.



Dimensions (Inches)																		
Size	L	L1	L2	P	P1	M	H	E	F	G	D	d	S	T	A	Cv	Weight (lbs)	
2"	7.00	2.95	0.56	1.50	2.01	9.9	3.9	2.20	1.27	0.71	2.76	M8 x P1.25	0.38	0.69	5.98	122	15.9	
3"	8.00	3.35	0.69	2.44	3.00	12.3	5.2	3.17	1.30	0.91	4.02	M10 x P1.5	0.47	0.77	7.48	336	29.4	
4"	9.00	3.74	0.88	3.15	4.02	13.5	6.4	3.65	1.30	0.91	4.02	M10 x P1.5	0.47	0.77	9.02	511	46.3	
6"	10.50	4.13	0.94	3.98	5.94	9.8	8.0	4.55	1.46	0.87	4.02	M10 x P1.5	0.87	1.09	10.98	853	79.5	

*6" uses a diamond stem.

Cv value represents flow data to ISA 75.01.01 - 2007

109S Ordering Information

Example: 2" Standard Port Ball Valve, Actuator Mounting Pad with Lever Handle and Locking Device, 316 SS Body and Trim, RTFE (15% C.F.) Seats, PTFE Seals, ANSI 150# Flanged Ends

Valve Series	Valve Size	Body Material	End Material	Ball Material	Stem Material	Seat	Seal	End Connection	Port Configuration	Ball Configuration	Special Services
109S - Standard Port	D F G I	2" - A351 Gr. CF8M (316) 3" - A351 Gr. CF8M (316) 4" - A216 Gr. WCB (CS) 6" - A216 Gr. WCB (CS)	6 - A351 Gr. CF8M (316) 2 - A216 Gr. WCB (CS)	6 - 316 SS	6 - 316 SS	C - RTFE (15% C.F.) M - TFM T - PTFE	T - PTFE G - Graphite M - TFM	A - ANSI 150#	2 - 2 Way	S - Straight Port	00 - None J - Weld-on Jacket FS - Firesafe

Due to continuous product development, information may change without notice.

Note: Fire-safe requires graphite packing and body seal.



INLINE INDUSTRIES, INC.

9056 Garvey Avenue

Rosemead, CA 91770

Tel: (800) 568-8998

(626) 813-6188

Fax: (626) 813-6186

www.ballvalve.com

info@ballvalve.com

Distributed by: