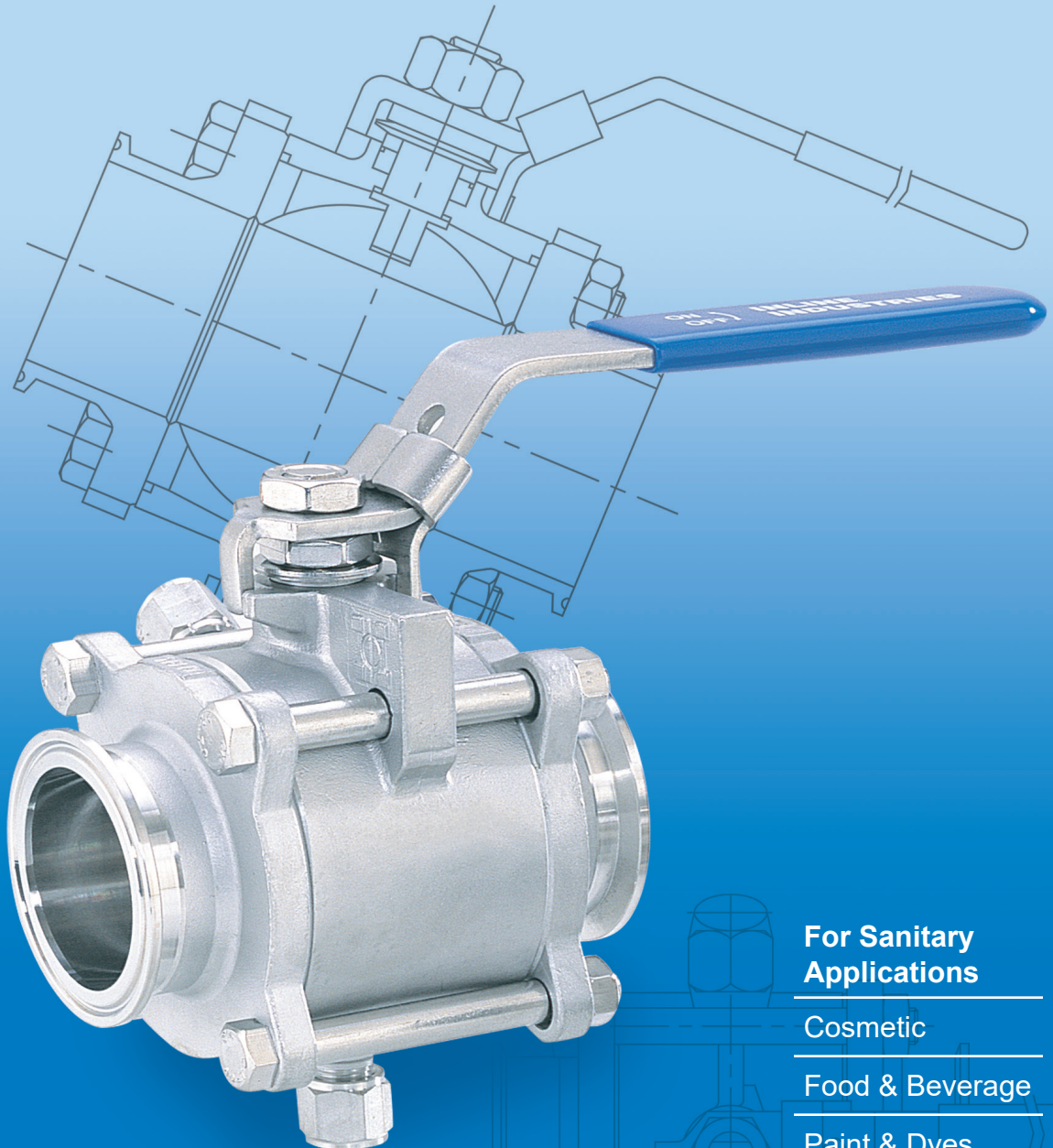


307F Sanitary Ball Valve

3-Piece Tube Full Port



**For Sanitary
Applications**

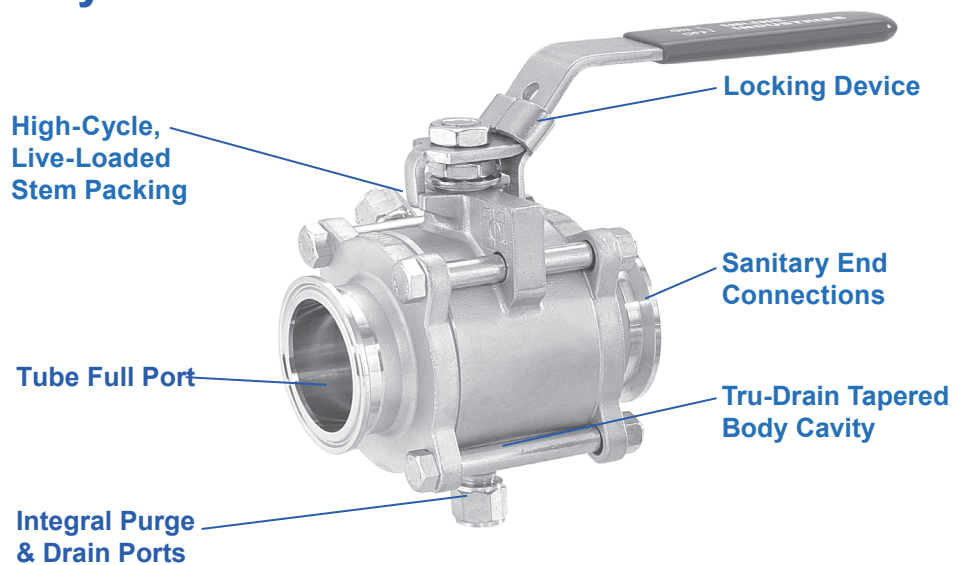
Cosmetic

Food & Beverage

Paint & Dyes

The 307F Series Sanitary Ball Valve

The 307F series utilizes a unique Tru-Drain tapered body cavity and integral purge and drain ports to eliminate potential pooling of process media. Available with a variety of sanitary end connections, this clean-in-place system provides outstanding performance in food, beverage and high purity applications.

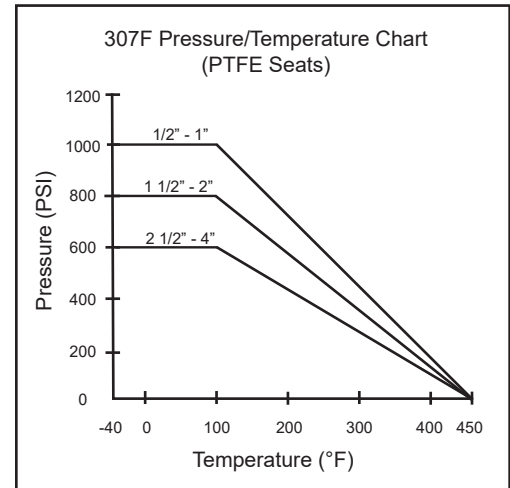


Standard Features and Benefits

- **Tru-Drain Tapered Boyd Cavity**
Eliminates pooling of process media
- **Integral Purge and Drain Ports**
Quickly drains body cavity
- **High-Cycle, Live-Loaded Stem Packing**
Ensures tight stem seal and extends service life
- **3-Piece Swing-in-Place Construction**
Provides easy access for in-line maintenance and repair
- **Made of Corrosion-Resistant 316 SS (A-351 Gr. CF8M) with 316L SS (A351 Gr. CF3M) Weld Ends**
One valve can be used for many service conditions
- **Blow-Out-Proof Stem**
Bottom loaded stem prevents removal when valve is in service
- **Investment Cast**
Improves dimensional control and reduces porosity
- **Locking Device**
Enables plant personnel to secure valve in open or closed position when manually operated
- **25 Ra Internal Surface Finish**

Options

- **Clamp, Tube Butt Weld, Ext. Tube Butt Weld, Compression, Flange, NPT, I-Line, Tank Bottom Ends Available**
- **Polish and Electro-polish to Customer's Specification**
- **Cavity Filled Seats**
- **Full 3A Compliance: 3A 68-00 Cavity Filled Construction, Marking, and Documentation**
- **Material Test Reports Available Upon Request**

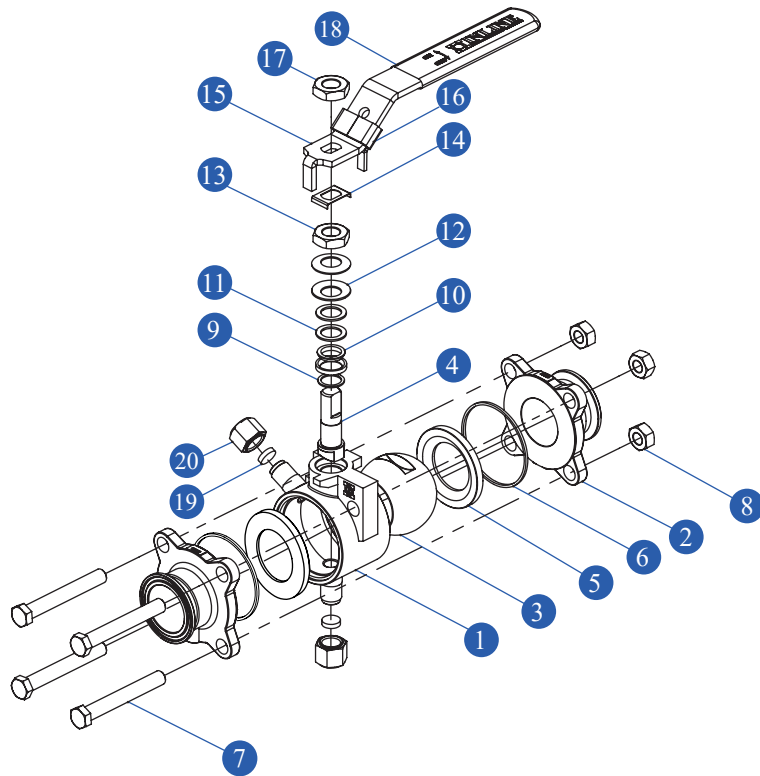


Operating Conditions

- **Temperature Range (PTFE):**
-40°F ~ 450°F
- **Maximum Pressure (PTFE):**
1000 PSI (1/2" - 1")
800 PSI (1 1/2" - 2")
600 PSI (2 1/2" - 4")

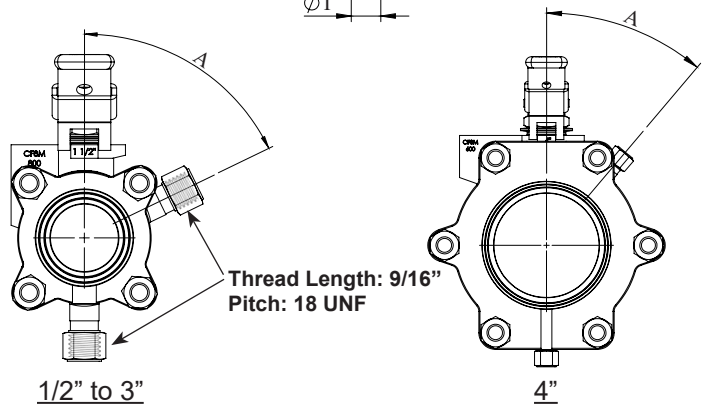
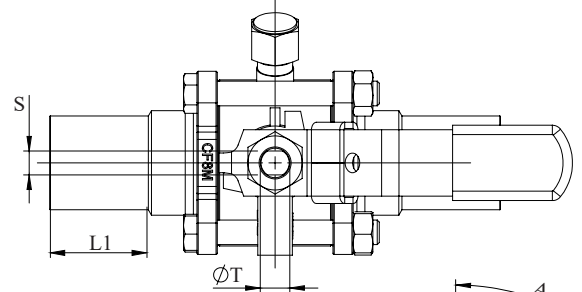
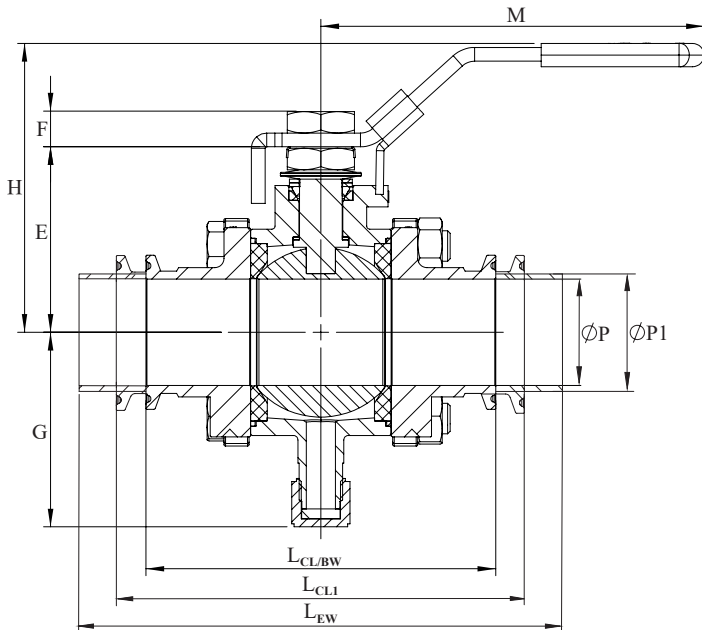
Specifications

- Valves designed and tested to ANSI/ASME B16.34 and API 598 and meet ANSI/FCI70-2 Class VI and MSS SP-61 seat leakage requirements
- All materials comply with applicable ASTM material specifications and USDA and FDA material requirements



Valve Components			
No.	Part Name	Material	Qty
1	Body	CF8M	1
2	End Cap	CF8M	2
3	Ball	316 SS	1
4	Stem	316 SS	1
5	Seat	PTFE	2
6	Body Seal	PTFE	2
7	Body Bolt	304 SS	4*
8	Body Nut	304 SS	4*
9	Thrust Washer	PTFE	1
10	Stem Packing Set	PTFE	1
11	Packing Gland	304 SS	2
12	Belleville Washer	301 SS	2
13	Gland Nut	304 SS	1
14	Gland Nut Lock Washer	304 SS	1
15	Handle	304 SS	1
16	Handle Lock	304 SS	1
17	Handle Nut	304 SS	1
18	Handle Cover	Vinyl	1
19	Purge Port Seal	PTFE	2
20	Purge Port Cap	316 SS	2

* 6 Bolts and Nuts on 4" Valve



Dimensions (Inches)															
Size	L _{CL/BW}	L _{EW}	L _{CL}	L ₁	P	P ₁	M	H	E	F	S	T	A°	C _v *	Weight (lbs)*
1/2"	3.50	4.90	-	1.57	0.37	0.50	4.4	2.1	1.17	0.28	0.20	0.31	85	6.0	1.0
3/4"	3.50	5.61	4.00	1.57	0.62	0.75	5.2	2.3	1.35	0.30	0.26	0.38	77	20.7	1.4
1"	3.50	6.40	4.50	1.57	0.87	1.00	5.7	2.8	1.77	0.32	0.31	0.46	67	43.6	2.6
1 1/2"	4.50	7.20	5.50	1.57	1.37	1.50	7.5	3.7	2.39	0.41	0.38	0.54	64	118	4.9
2"	5.00	7.60	6.25	1.80	1.87	2.00	7.5	4.0	2.70	0.48	0.38	0.54	60	233	7.4
2 1/2"	6.75	10.00	-	1.80	2.37	2.50	12.2	5.6	3.54	0.69	0.47	0.77	60	379	16.4
3"	7.76	11.00	-	1.80	2.87	3.00	12.2	5.9	3.90	0.70	0.47	0.77	60	561	25.3
4"	9.51	12.00	-	2.01	3.83	4.00	12.6	6.9	4.76	0.96	0.59	0.93	40	982	46.6

Please contact us for additional information

C_v value represents flow data to ISA 75.01.01 - 2007
*C_v value & weights based on Ext. Weld Ends



Oxygen Cleaning
& Electropolishing



Sanitary Products



Automation
Systems

307F Ordering Information

Example: 2" Full Port Sanitary Ball Valve with Lever Handle and Locking Device, 316 SS Body and Trim, PTFE Seats and Seals, 316 SS Clamp Ends, 25 Ra Max Mechanical Polish (ID)

307F	D	6	6	6	6	T	T	CC	2	S	
Valve Series	Valve Size	Body Material	End Material	Ball Material	Stem Material	Seat	Seal	End Connection	Port	Ball Config.	Surface Finish
307F - Full Port 307C - Compression	5 1/2" 7 3/4" A 1" C 1 1/2" D 2" E 2 1/2" F 3" G 4"	6 - A351 Gr. CF8M (316)	6 - A351 Gr. CF8M (316) 3 - A351 Gr. CF3M (316L)	6 - 316 SS	6 - 316 SS	T - PTFE K - Cavity Filled PTFE M - TFM J - Cavity Filled TFM N - TFM 1-Piece Seat/Body Seal	T - PTFE M - TFM N - TFM 1-Piece Seat/Body Seal	C - Clamp (316) E - Ext. Tube O.D. Butt Weld O - Tube O.D. Butt Weld A - ANSI 150# (316) K - Tank Bottom L - Long Clamp P - Compression (316) R - I-Line T - NPT (316)	2 - 2 Way	S - Straight Port	None - 25 Ra Max Mech. Polish SFV1 - 20 Ra Max Mech. Polish SFV3 - 30 Ra Max Mech. Polish SFV4 - 15 Ra Max Electropolish SFV5 - 20 Ra Max Electropolish SFV6 - 25 Ra Max Electropolish

*Available in tube butt weld, extended tube weld and compression ends only

Due to continuous product development, information may change without notice.



INLINE INDUSTRIES, INC.

9056 Garvey Avenue
Rosemead, CA 91770

Tel: (800) 568-8998
(626) 813-6188

Fax: (626) 813-6186

www.ballvalve.com
info@ballvalve.com

Distributed by: