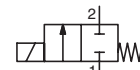




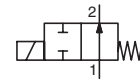
# SOLENOID VALVES

direct operated  
for high pressure fluids  
1/8 - 1/4  
15 mm compression fittings

NC



NO



2/2  
Series  
262

## FEATURES

- High operating pressure
- RoHS compliance
- AC/DC interchangeability of the coil possible only for NC (10,1 W/11,6 W and 17,1 W/22,6 W)
- Valves do not require a minimum operating pressure
- Large selection of seal materials providing wide chemical compatibility
- Compliance with UL and CSA standards
- The solenoid valves satisfy all relevant EU directives

## GENERAL

**Differential pressure** See «SPECIFICATIONS» [1 bar =100 kPa]  
**Maximum viscosity** 65 cSt (mm<sup>2</sup>/s)  
**Response time** 5 - 25 ms

fluids (*)	temperature range (TS)	seal materials (*)
air, inert gas, water, oil	-25°C to +80°C	NBR (nitrile)
	0°C to +60°C	UR (cast urethane)

## GENERAL

### MATERIALS IN CONTACT WITH FLUID

(\*) Ensure that the compatibility of the fluids in contact with the materials is verified

<b>Body</b>	Brass	Stainless steel, AISI 304
<b>Shading coil</b>	Copper	Silver
<b>Core tube</b>	Stainless steel, AISI 305	
<b>Core and plugnut</b>	Stainless steel, AISI 430F	
<b>Springs</b>	Stainless steel, AISI 302	
<b>Seal</b>	NBR	
<b>Disc</b>	NBR or UR	
<b>Disc holder (NO function)</b>	PA	

## ELECTRICAL CHARACTERISTICS

<b>Coil insulation class</b>	F (AC) or H (DC)
<b>Connector</b>	Spade plug (cable Ø 6-10 mm)
<b>Connector specification</b>	ISO 4400 / EN 175301-803, form A
<b>Electrical safety</b>	IEC 335
<b>Electrical enclosure protection</b>	Moulded IP65 (EN 60529)
<b>Standard voltages</b>	DC (=) : 24V - 48V
(Other voltages and 60 Hz on request)	AC (~) : 24V - 48V - 115V - 230V/50 Hz

operator ambient temperature range (TS) (°C)	power ratings			replacement coil <sup>(1)</sup>	
	inrush ~ (VA)	holding ~ (VA)	hot/cold = (W)	~ 230 V/50 Hz	= 24 V DC
-25 to +55	30	16	8,1	7,7/ 10,6	238213-059 238513-006
	45	20	11,1	12,5/18,6	238213-157 238513-106
	50	25	10,1	8,5/11,6	238613-059 238913-006
	70	40	17,1	15,1/22,6	238613-159 238913-106

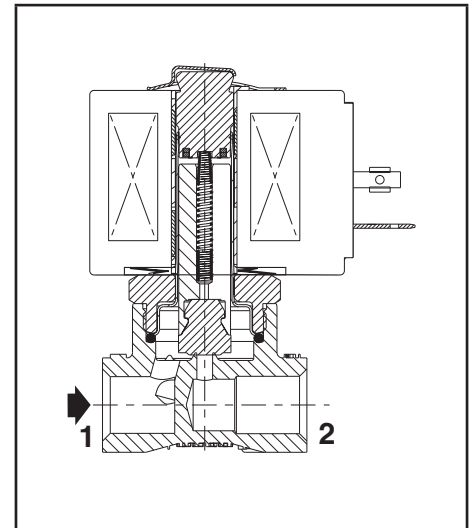
(1) All 238 basic numbers are UL & CSA approved and marked with the UR (recognised component) & CSA logos.

## OPTIONS

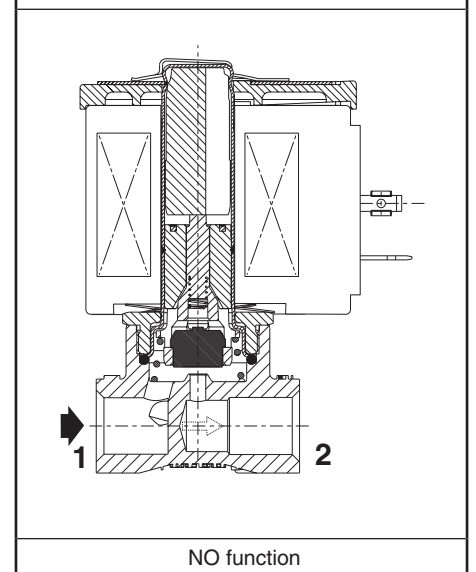
<b>Seals and disc (*) <sup>(2)</sup></b> (fluid temperature range)	FPM (fluoroelastomer): -15°C to +100°C (coil class F) -15°C to +120°C (coil class H) EPDM (ethylene-propylene), 0°C to +100°C CR (chloroprene), 0°C to +80°C PTFE: -15°C to +100°C (coil class F) -15°C to +120°C (coil class H)
Oxygen service, FPM disc and seals, see "15-DIGIT PRODUCT CODE"	
WRAS approval, EPDM disc and seals, see "15-DIGIT PRODUCT CODE"	
Magnetic latching versions, reverse polarity DC voltages, see "15-DIGIT PRODUCT CODE FOR MAGNETIC LATCHING VERSION ONLY"	
15 mm compression-fitting body, supplied with nut and olive, see "15-DIGIT PRODUCT CODE"	
Plug with visual indication and peak voltage suppression or with cable length of 2 m (see Solenoids, Coils & Accessories section)	
Explosionproof enclosures for use in zones 1/21-2/22, categories 2-3 to ATEX Directive 2014/34/EU (See page 4)	

(\*) Ensure that the compatibility of the fluids in contact with the materials is verified.

(2) The minimum ambient temperature of the solenoid valve is determined by the limitations of minimum temperature indicated.



NC function



NO function

**SPECIFICATIONS**

pipe size	orifice size (mm)	flow coefficient Kv (m <sup>3</sup> /h)/(l/min)		operating pressure differential (bar) max. (PS)									power coil (W)		thread type	dimensions / type	15-DIGIT PRODUCT CODE		voltage code								
				min.			air (*)			water (*)							oil (*)			brass	stainless steel	24 V/50 Hz	48 V/50 Hz	115 V/50 Hz	230 V/50 Hz	24 V/DC	48 V/DC
				~	=	~	=	~	=	~	=	~					=	~	=								
<b>WITHOUT MANUAL OPERATOR</b>																											
<b>NC - Normally closed, NBR seal and disc</b>																											
1/8	1,2	0,05	0,8	0	51	51	51	41	50	34	8,1	10,6	G NPT 01	G262K001S1N00	-												
	2,4	0,18	3	0	25	14	22	10	13	10	8,1	10,6	G NPT 01	G262K014S1N00	-												
	3,2	0,3	5	0	12	8	12	6,5	8	6	8,1	10,6	G NPT 01	G262K002S1N00	-												
1/4	1,2	0,05	0,8	0	103	68	103	66	103	58	10,1	11,6	G* 02	E262K200S1W00 <sup>(2)</sup>	-												
					151	68	151	66	117	58	10,1	11,6	G* 02	-	E262K214S1W00 <sup>(2)</sup>												
					51	51	51	41	50	34	8,1	10,6	NPT 01	E262K019S1N00	-												
					25	14	22	10	11	10	8,1	10,6	G* 01	E262K020S1N00	-												
					34	19	24	13	18	13	11,1	18,6	NPT 01	-	8262K086S1N00												
					40	16	28	16	28	15	10,1	11,6	G* 01	E262K021S1N00	-												
	2,4	0,18	3	0	40	16	28	16	28	15	10,1	11,6	G* 02	E262K108S1N00	E262K182S1N00												
					49	41	28	28	28	27	17,1	22,6	NPT 02	-	8262K182S1N00												
					12	8	12	6,5	6	5,5	8,1	10,6	G* 02	E262K109S1N00	E262K183S1N00												
					18	10	17	8	10	7,5	11,1	18,6	NPT 01	-	8262K183S1N00												
					23	7,5	20	7	14	6,5	10,1	11,6	G* 01	E262K022S1N00	-												
					34	17	26	17	24	15	17,1	22,6	NPT 02	-	8262K007S1N00												
	3,2	0,3	5	0	6,5	2	6,5	2	6,5	2	10,1	11,6	G* 02	E262K023S1N00	-												
					23	7,5	20	7	14	6,5	10,1	11,6	NPT 02	E262K232S1N00	E262K184S1N00												
					14	3,5	13	3,5	10	3,5	10,1	11,6	G* 02	E262K110S1N00	E262K185S1N00												
					20	7,5	14	7,5	14	7,5	17,1	22,6	NPT 02	-	8262K185S1N00												
					14	3,5	13	3,5	10	3,5	10,1	11,6	G* 02	E262K202S1N00	E262K220S1N00												
					20	7,5	14	7,5	14	7,5	17,1	22,6	NPT 02	-	8262K220S1N00												
	5,6	0,63	10,5	0	6,5	2	6,5	2	6,5	2	10,1	11,6	G* 02	E262K208S1N00	E262K226S1N00												
					8,5	4	8,5	4	8,5	4	17,1	22,6	NPT 02	-	8262K226S1N00												
					8,5	4	8,5	4	8,5	4	17,1	22,6	G* 02	E262K114S1N00	E262K188S1N00												
					3,5	2	3,5	2	2,5	1,9	8,1	10,6	NPT 02	-	8262K188S1N00												
					2	1,6	2	1,5	2	1,3	8,1	10,6	G* 01	E262K013S1N00	-												
					4	0,45	7,5	0	2	1,6	2	1,5	2	1,3	8,1	10,6	NPT 01	-	8262K036S1N00								
7,1	0,76	12,7	0	2	1,6	2	1,5	2	1,3	8,1	10,6	G* 01	E262K090S1N00	-													
				4	1,5	5	1,5	4	1,3	10,1	11,6	NPT 01	-	8262K038S1N00													
				4	1,5	5	1,5	4	1,3	10,1	11,6	G* 02	E262K210S1N00	E262K189S1N00													
				6	3	6	3	6	3	17,1	22,6	NPT 02	-	8262K189S1N00													
				2	1,6	2	1,5	2	1,3	8,1	10,6	G* 02	E262K212S1N00	E262K230S1N00													
				6	3	6	3	6	3	17,1	22,6	NPT 02	-	8262K230S1N00													
<b>NO - Normally open, NBR seal and disc</b>																											
1/8	1,2	0,05	0,8	0	79	44	62	33	55	22	10,1	11,6	G NPT 02	G262K155S1W00 <sup>(2)</sup>	G262K168S1W00 <sup>(2)</sup>												
					51	44	51	38	51	27	10,1	11,6	G NPT 02	-	8262K168S1W00 <sup>(2)</sup>												
	2,4	0,18	3	0	18	11	15	9	12	6,5	10,1	11,6	G NPT 02	G262K156S1N00	G262K169S1N00												
1/4	0,3	5	0	11	6,5	10	6,5	8,5	4,5	10,1	11,6	G NPT 02	G262K128S1N00	G262K236S1N00													
				11	6,5	10	6,5	8,5	4,5	10,1	11,6	G NPT 02	-	8262K236S1N00													
				11	6,5	10	6,5	8,5	4,5	10,1	11,6	G NPT 02	G262K129S1N00	G262K237S1N00													
				11	6,5	10	6,5	8,5	4,5	10,1	11,6	G NPT 02	-	8262K237S1N00													
				79	44	62	33	55	22	10,1	11,6	G* 02	E262K161S1W00 <sup>(2)</sup>	E262K199S1W00 <sup>(2)</sup>													
				51	44	51	38	51	27	10,1	11,6	NPT 02	-	8262K199S1W00 <sup>(2)</sup>													
1/4	0,18	3	0	18	11	15	9	12	6,5	10,1	11,6	G* 02	E262K260S1N00	E262K130S1N00													
				18	11	15	9	12	6,5	10,1	11,6	NPT 02	-	8262K130S1N00													
				18	11	15	9	12	6,5	10,1	11,6	G* 02	E262K261S1N00	E262K134S1N00													
				18	11	15	9	12	6,5	10,1	11,6	NPT 02	-	8262K134S1N00													
				11	6,5	10	6,5	8,5	4,5	10,1	11,6	G* 02	E262K262S1N00	E262K138S1N00													
				11	6,5	10	6,5	8,5	4,5	10,1	11,6	NPT 02	-	8262K138S1N00													
1/4	0,47	7,8	0	6	4	6	3,5	4,5	3	10,1	11,6	G* 02	E262K263S1N00	E262K142S1N00													
				6	4	6	3,5	4,5	3	10,1	11,6	NPT 02	-	8262K142S1N00													
				3	2	3	1,7	2,5	1,7	10,1	11,6	G* 02	E262K264S1N00	E262K148S1N00													
				3	2	3	1,7	2,5	1,7	10,1	11,6	NPT 02	-	8262K148S1N00													
				2	1,3	2	1,1	2	1,1	10,1	11,6	G* 02	E262K265S1N00	E262K152S1N00													
				2	1,3	2	1,1	2	1,1	10,1	11,6	NPT 02	-	8262K152S1N00													

(1) For dimensions, see drawing(s) for each construction type on the following page(s).

(\*) Ensure that the compatibility of the fluids in contact with the materials is verified.

(2) UR disc only, fluid temperature 0°C to +60°C, no other elastomer can be used.

**SPECIFICATIONS**

													15-DIGIT PRODUCT CODE										
pipe size	orifice size (mm)	flow coefficient Kv (m <sup>3</sup> /h)(l/min)		operating pressure differential (bar)						power coil (W)		thread type	dimensions / type (1)	brass		stainless steel		voltage code					
				max. (PS)														24 V/50 Hz	48 V/50 Hz	115 V/50 Hz	230 V/50 Hz	24 V/DC	48 V/DC
				min.	air (*)		water (*)		oil (*)														
~	=	~	=	~	=	~	=	~	=	~	=												
<b>WITH MAINTAINED MANUAL OPERATOR</b>																							
<b>NC - Normally closed, NBR seal and disc</b>																							
1/4	2,4	0,18	3	0	40	16	28	16	28	15	10,1	11,6	G* 02	E262K108S1N01	E262K182S1N01	FL	FR	FT	F8	H1	H9		
					49	41	28	28	28	27	17,1	22,6	NPT 02	-	8262K182S1N01								
	3,2	0,3	5	0	23	7,5	20	7	14	6,5	10,1	11,6	G* 02	E262K109S1N01	E262K183S1N01								
					34	17	26	17	24	15	17,1	22,6	NPT 02	-	8262K183S1N01								
	4	0,45	7,5	0	14	3,5	13	3,5	10	3,5	10,1	11,6	G* 02	E262K232S1N01	E262K184S1N01								
					20	7,5	14	7,5	14	7,5	17,1	22,6	NPT 02	-	8262K184S1N01								
	5,6	0,63	10,5	0	6,5	2	6,5	2	6,5	2	10,1	11,6	G* 02	E262K110S1N01	E262K185S1N01								
					8,5	4	8,5	4	8,5	4	17,1	22,6	NPT 02	-	8262K185S1N01								
	7,1	0,76	12,7	0	4	1,5	5	1,5	4	1,3	10,1	11,6	G* 02	E262K202S1N01	E262K220S1N01								
					6	3	6	3	6	3	17,1	22,6	NPT 02	-	8262K220S1N01								
						6,5	2	6,5	2	6,5	2	10,1	11,6	G* 02	E262K112S1N01							E262K187S1N01	
						8,5	4	8,5	4	8,5	4	17,1	22,6	NPT 02	-							8262K187S1N01	
						4	1,5	5	1,5	4	1,3	10,1	11,6	G* 02	E262K208S1N01							E262K226S1N01	
						6	3	6	3	6	3	17,1	22,6	NPT 02	-							8262K226S1N01	
						4	1,5	5	1,5	4	1,3	10,1	11,6	G* 02	E262K114S1N01							E262K188S1N01	
						6	3	6	3	6	3	17,1	22,6	NPT 02	-							8262K188S1N01	
					4	1,5	5	1,5	4	1,3	10,1	11,6	G* 02	E262K210S1N01	E262K189S1N01								
					6	3	6	3	6	3	17,1	22,6	NPT 02	-	8262K189S1N01								
					4	1,5	5	1,5	4	1,3	10,1	11,6	G* 02	E262K212S1N01	E262K230S1N01								
					6	3	6	3	6	3	17,1	22,6	NPT 02	-	8262K230S1N01								

(1) For dimensions, see drawing(s) for each construction type on the following page(s).

(2) UR disc only, fluid temperature 0°C to +60°C, no other elastomer can be used.

(\*) Ensure that the compatibility of the fluids in contact with the materials is verified.

**15-DIGIT PRODUCT CODE**

- **262 K 001 S1 N00 H1**

**Thread connection**

- G** = ISO 228/1 (1/8)
- E** = ISO 228/1 & ISO 7/1 (combination thread, G\*)
- 8** = NPT (SAE 71051)
- H** = 15 mm compression fittings <sup>(2)</sup>

**Product series**  
**262**

**Revision letter**  
**K** = Initial release

**Valves version**

**Voltage - class**

- FL** = 24 V / 50 Hz - class F
- FR** = 48 V / 50 Hz - class F
- FT** = 115 V / 50 Hz - class F
- F8** = 230 V / 50 Hz - class F
- H1** = 24 V DC - class H
- H9** = 48 V DC - class H

**Options**

**Without manual operator**

- N00** = NBR disc and seals
- V00** = FPM disc and seals
- VN0** = FPM disc and seals for Oxygen service
- EM0** = EPDM disc and seals, WRAS approved <sup>(2)</sup>
- E00** = EPDM disc and seals
- J00** = CR disc and seals
- T00** = PTFE disc and seals <sup>(1)</sup>

<sup>(1)</sup> (Max. operating pressure limited to 75% of standard value)

**With maintained manual operator**

- N01** = NBR disc and seals
- V01** = FPM disc and seals
- VN1** = FPM disc and seals for Oxygen service
- E01** = EPDM disc and seals
- J01** = CR disc and seals

**Electrical interface & explosion proof options**

- S1** = With spade plug connector
- FN** = Aluminium enclosure, 1/2 NPT conduit, IECEX/ATEX  
II 2G/D Ex d IIC T6..T4 Gb / Ex tb IIIC Db IP66/IP67, zone 1-21 (equivalent to [NF](#) prefix)<sup>(3)</sup>
- FT** = Aluminium enclosure, 20 mm conduit, IECEX/ATEX  
equivalent to [NFET](#) prefix)<sup>(3)</sup>
- FS** = AISI 316L enclosure, 1/2 NPT conduit, IECEX/ATEX  
II 2G/D Ex d IIC T6..T4 Gb / Ex tb IIIC Db IP66/IP67, zone 1-21 (equivalent to [WSNF](#) prefix)<sup>(3)</sup>
- FU** = AISI 316L enclosure, 20 mm conduit, IECEX/ATEX  
II 2G/D Ex d IIC T6..T4 Gb / Ex tb IIIC Db IP66/IP67, zone 1-21 (equivalent to [WSNFET](#) prefix)<sup>(3)</sup>
- MV** = Steel enclosure, M20 cable gland, IECEX/ATEX  
II 2G Ex e mb IIC Gb T3, II2D Ex tb IIIC Db IP66/IP67, zone 1-21 (equivalent to [EM](#) prefix)<sup>(3)</sup>
- MT** = Steel enclosure, 20 mm conduit, IECEX/ATEX  
II 2G Ex e mb IIC Gb T3, II2D Ex tb IIIC Db, zone 1-21 (equivalent to [EMET](#) prefix)<sup>(3)</sup>
- MN** = Steel enclosure, 1/2 NPT conduit, IECEX/ATEX  
II 2G Ex e mb IIC Gb T3, II2D Ex tb IIIC Db IP66/IP67, zone 1-21 (equivalent to [EMT](#) prefix)<sup>(3)</sup>
- MW** = AISI 316 enclosure, M20 cable gland, IECEX/ATEX  
II 2G Ex e mb IIC Gb T3, II2D Ex tb IIIC Db IP66/IP67, zone 1-21 (equivalent to [WSEM](#) prefix)<sup>(3)</sup>
- MU** = AISI 316 enclosure, 20 mm conduit, IECEX/ATEX  
II 2G Ex e mb IIC Gb T3, II2D Ex tb IIIC Db IP66/IP67, zone 1-21 (equivalent to [WSEMET](#) prefix)<sup>(3)</sup>
- MS** = AISI 316 enclosure, 1/2 NPT conduit, IECEX/ATEX  
II 2G Ex e mb IIC Gb T3, II2D Ex tb IIIC Db IP66/IP67, zone 1-21 (equivalent to [WSEMT](#) prefix)<sup>(3)</sup>
- A7** = Moulded enclosure, epoxy encapsulated, integrated cable, IECEX/ATEX  
II2G Ex mb IIC Gb T3(-)/T4(=), II2D Ex mb IIIC Db IP67, zone 1-21 (equivalent to [PV](#) prefix)<sup>(3)</sup>
- SG** = Moulded coil with connector, epoxy encapsulated, ATEX  
II 3 D Ex tc IIIC T115°C Dc IP65X, zone 22 (equivalent to [SG](#) prefix)<sup>(3)</sup>

<sup>(2)</sup> Check the online configurator for available versions on: [www.asco.com](http://www.asco.com)

<sup>(3)</sup> Search prefix in [asco.com](http://asco.com) to get detailed technical information.

Please note that the valve pressure ratings with some of the ATEX enclosures will be reduced.

To obtain the correct pressure rating please check the landing pages of the ["2-Way Solenoid Valve DIN Configurator"](#).

**SPARE PARTS KITS CODE (\*)**



	AC (-)										DC (=)									
	NBR	FPM	FPM (oxygen)	EPDM	EPDM (+WRAS)	CR	PTFE	NBR + UR			NBR	FPM	FPM (oxygen)	EPDM	EPDM (+WRAS)	CR	PTFE	NBR + UR		
E262K013/019/020/021/022/023/090	M200001	N00	V00	VN0	E00	EM0	J00	T00	-		M200005	N00	V00	VN0	E00	EM0	J00	T00	-	
E262K108/109/110/112/114	M200007	N00	V00	VN0	E00	EM0	J00	T00	-		M200007	N00	V00	VN0	E00	EM0	J00	T00	-	
E262K130	M200017	N00	V00	VN0	E00	EM0	J00	T00	-		M200033	N00	V00	VN0	E00	EM0	J00	T00	-	
E262K134	M200018	N00	V00	VN0	E00	EM0	J00	T00	-		M200033	N00	V00	VN0	E00	EM0	J00	T00	-	
E262K138/142/148/152	M200018	N00	V00	VN0	E00	EM0	J00	T00	-		M200034	N00	V00	VN0	E00	EM0	J00	T00	-	
E262K161	M200021	-	-	-	-	-	-	-	-	W00	-	-	-	-	-	-	-	-	-	
E262K182/183/184/185/187/188/189	M200008	N00	V00	VN0	E00	EM0	J00	-	-		M200008	N00	V00	VN0	E00	EM0	J00	-	-	
E262K200	M200007	-	-	-	-	-	-	-	-	W00	M200007	-	-	-	-	-	-	-	W00	
E262K202/208/210/212	M200007	N00	V00	VN0	E00	EM0	J00	T00	-		M200007	N00	V00	VN0	E00	EM0	J00	T00	-	
E262K214	M200008	-	-	-	-	-	-	-	-	W00	M200008	-	-	-	-	-	-	-	W00	
E262K220/226/230	M200008	N00	V00	VN0	E00	EM0	J00	-	-		M200008	N00	V00	VN0	E00	EM0	J00	-	-	
E262K232	M200007	N00	V00	VN0	E00	EM0	J00	T00	-		M200007	N00	V00	VN0	E00	EM0	J00	T00	-	
E262K260	M200015	N00	V00	VN0	E00	EM0	J00	T00	-		M200031	N00	V00	VN0	E00	EM0	J00	T00	-	
E262K261	M200016	N00	V00	VN0	E00	EM0	J00	T00	-		M200031	-	-	-	-	-	-	-	W00	
E262K262/263/264/265	M200016	N00	V00	VN0	E00	EM0	J00	T00	-		M200032	N00	V00	VN0	E00	EM0	J00	T00	-	
G262K001/002/014/016	M200001	N00	V00	VN0	E00	EM0	J00	T00	-		M200005	N00	V00	VN0	E00	EM0	J00	T00	-	
G262K128	M200016	N00	V00	VN0	E00	EM0	J00	T00	-		M200031	N00	V00	VN0	E00	EM0	J00	T00	-	
G262K129	M200016	N00	V00	VN0	E00	EM0	J00	T00	-		M200032	N00	V00	VN0	E00	EM0	J00	T00	-	
G262K155	M200021	-	-	-	-	-	-	-	-	W00	-	-	-	-	-	-	-	-	-	
G262K156	M200015	N00	V00	VN0	E00	EM0	J00	T00	-		M200031	N00	V00	VN0	E00	EM0	J00	T00	-	
G262K168	M200021	-	-	-	-	-	-	-	-	W00	-	-	-	-	-	-	-	-	-	
G262K169	M200017	N00	V00	VN0	E00	EM0	J00	T00	-		M200033	N00	V00	VN0	E00	EM0	J00	T00	-	
G262K199	M200021	-	-	-	-	-	-	-	-	W00	-	-	-	-	-	-	-	-	-	
G262K236	M200018	N00	V00	VN0	E00	EM0	J00	T00	-		M200033	N00	V00	VN0	E00	EM0	J00	T00	-	
G262K237	M200018	N00	V00	VN0	E00	EM0	J00	T00	-		M200034	N00	V00	VN0	E00	EM0	J00	T00	-	
8262K006/007/012/015/036/038	M200003	N00	V00	VN0	E00	EM0	J00	T00	-		M200005	N00	V00	VN0	E00	EM0	J00	T00	-	
8262K080/086	M200003	N00	V00	VN0	E00	EM0	J00	T00	-		M200005	N00	V00	VN0	E00	EM0	J00	T00	-	
8262K130	M200017	N00	V00	VN0	E00	EM0	J00	T00	-		M200033	N00	V00	VN0	E00	EM0	J00	T00	-	
8262K134	M200018	N00	V00	VN0	E00	EM0	J00	T00	-		M200033	N00	V00	VN0	E00	EM0	J00	T00	-	
8262K138/142/148/152	M200018	N00	V00	VN0	E00	EM0	J00	T00	-		M200034	N00	V00	VN0	E00	EM0	J00	T00	-	
8262K168	M200021	-	-	-	-	-	-	-	-	W00	-	-	-	-	-	-	-	-	-	
8262K169	M200017	N00	V00	VN0	E00	EM0	J00	T00	-		M200033	N00	V00	VN0	E00	EM0	J00	T00	-	
8262K182/183/184/185/187/188/189	M200008	N00	V00	VN0	E00	EM0	J00	-	-		M200008	N00	V00	VN0	E00	EM0	J00	-	-	
8262K199	M200021	-	-	-	-	-	-	-	-	W00	-	-	-	-	-	-	-	-	-	
8262K220/226/230	M200008	N00	V00	VN0	E00	EM0	J00	-	-		M200008	N00	V00	VN0	E00	EM0	J00	-	-	
8262K236	M200018	N00	V00	VN0	E00	EM0	J00	T00	-		M200033	N00	V00	VN0	E00	EM0	J00	T00	-	
8262K237	M200018	N00	V00	VN0	E00	EM0	J00	T00	-		M200034	N00	V00	VN0	E00	EM0	J00	T00	-	

(\*) Ensure that the compatibility of the fluids in contact with the materials is verified.

**MAGNETIC LATCHING VERSION**

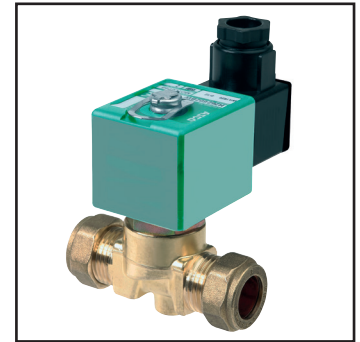
fluids (*)	temperature range (TS)	seal materials (*)
water	0°C to +85°C	EPDM

**ELECTRICAL CHARACTERISTICS**

Coil insulation class	F (DC)
Standard voltages	DC (=) : 3V - 6V - 9V - 12V

operator ambient temperature range (TS) (°C)	power ratings		replacement coil <sup>(1)</sup>	
	hot/cold =		=	
	(W)			
	640	641/642/643/644	6 V DC	12 V DC
0 to +40	2,5	-	400927-003	400927-005
	-	6	400927-007	400927-014

<sup>(1)</sup> All coils 400 series are not UL & CSA approved.



**SPECIFICATIONS**

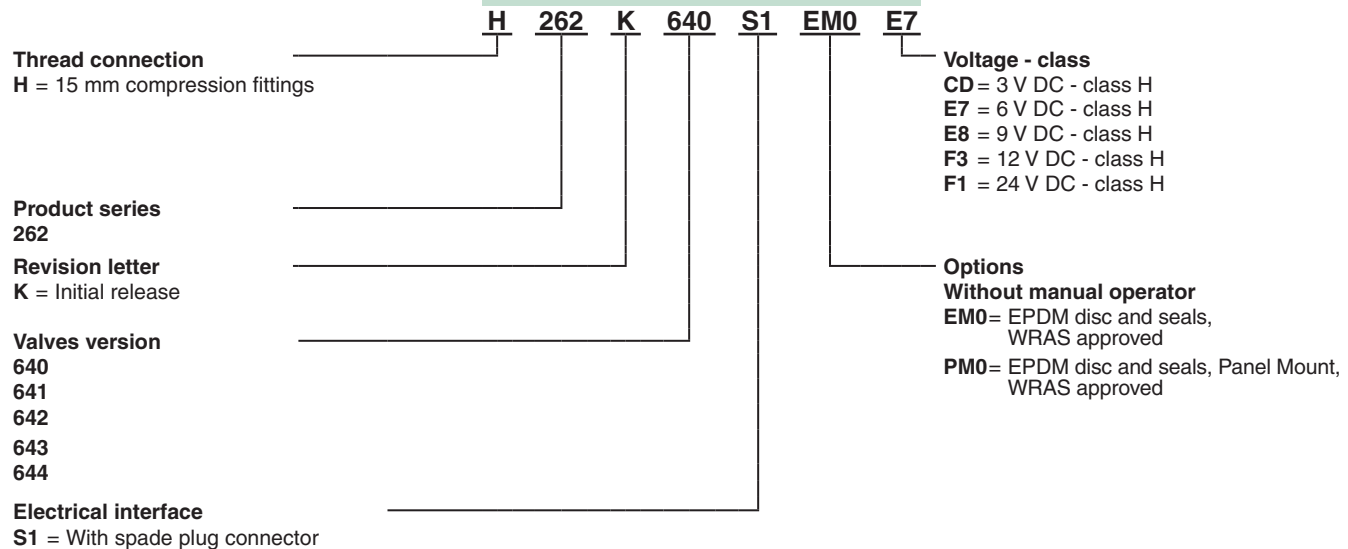
pipe size	orifice size (mm)	flow coefficient Kv (m³/h) (l/min)		operating pressure differential (bar)		power coil (W)	thread type	dimensions / type <sup>(2)</sup>	15-DIGIT PRODUCT CODE									
				max. (PS)					brass	voltage code								
				water (*)						3 V/DC	6 V/DC	9 V/DC	12 V/DC	24 V/DC				
<b>WITHOUT MANUAL OPERATOR</b>																		
<b>EPDM seal and disc</b>																		
15 mm compression fittings	1,2	0,05	0,8	0	10	2,5	H	03	<b>H262K640S1EM0</b>									
	2,0	0,15	2,5	0	10	6	H	03	<b>H262K641S1EM0</b>									
	3,2	0,30	5,0	0	3	6	H	03	CD	E7	E8	F3	F1					
	4	0,45	7,5	0	2	6	H	03						<b>H262K642S1EM0</b>				
	6,7	0,82	13,7	0	0,7	6	H	03						<b>H262K643S1EM0</b>				
					<b>H262K644S1EM0</b>													

<sup>(2)</sup> For dimensions, see drawing(s) for each construction type on the following page(s).

(\*) Ensure that the compatibility of the fluids in contact with the materials is verified.

**15-DIGIT PRODUCT CODE FOR MAGNETIC LATCHING VERSION ONLY**

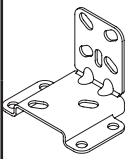
[Configurator - CAD Files](#)



**SPARE PARTS KITS CODE (\*)**

		DC (=)	
		EPDM (+ WRAS)	
	H262K640 / H262K641 H262K642 / H262K643 H262K644	M200001	EM0



		ACCESSORIES CODE
	Mounting bracket Steel version (AISI 1010 / 1.1121)	M200094A00
	Mounting bracket Stainless steel version (AISI 304 / 1.4301)	M200095A00

### INSTALLATION

- The solenoid valves can be mounted in any position without affecting operation
- Solenoid valves have 2 mounting holes in body
- Thread connection “E” applicable for 1/4 have standard thread according to ISO 228/1 and ISO 7/1. Thread connection “G” applicable for 1/8, have standard thread according to ISO 228/1
- Thread connection “8” have standard thread = NPT (SAE 71051)
- Thread connection “H” have 1/2” male ‘G’ thread according to BS 2779 plus cap-nut and olive
- Installation/maintenance instructions are included with each valve

### DIMENSIONS (mm), WEIGHT (kg)

[Configurator - CAD Files](#)

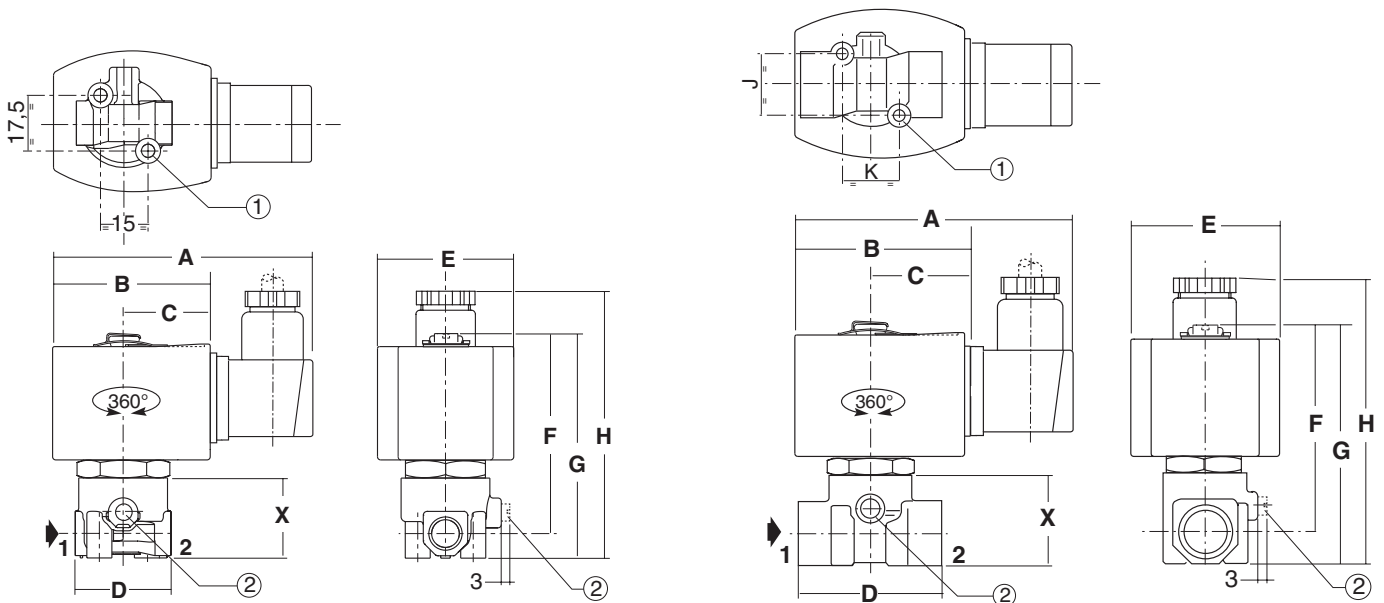


#### TYPE 01

Electrical interface “S1”  
Epoxy moulded  
IEC 335 / ISO 4400  
IP65

1/8, power coil 8,1 W / 10,6 W and 11,1 W / 18,6 W

1/4, power coil 8,1 W / 10,6 W and 11,1 W / 18,6 W

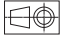


type	pipe size	A	B	C	D	E	F	G	H	X	weight <sup>(1)</sup>
01	1/8	88	51	30	30	43	62	71	88	26	0,30
	1/4	88	51	30	40	43	65	75	92	30	0,42

- ① 2 mounting holes:  
M5 dia., depth 6,5 mm (1/8)  
M5 dia., depth 7,5 mm (1/4)

- ② Manual operator location

<sup>(1)</sup> Incl. coil(s) and connector(s).

**DIMENSIONS (mm), WEIGHT (kg)** 

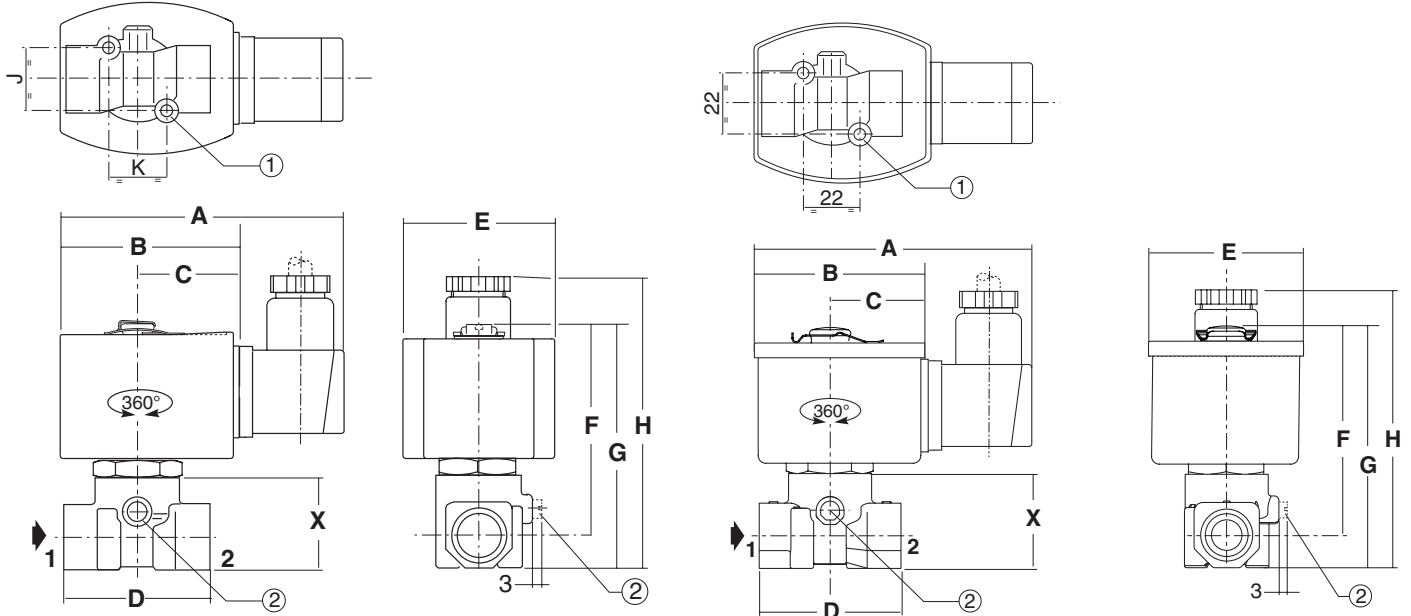
[Configurator - CAD Files](#)



**TYPE 02**  
 Electrical interface "S1"  
 Epoxy moulded  
 IEC 335 / ISO 4400  
 IP65

**NC: 1/4, power coil 10,1 W / 11,6 W and 17,1 W / 22,6 W**

**NO: 1/8-1/4, power coil 10,1 W / 11,6 W**



type	pipe size	A	B	C	D	E	F	G	H	J	K	X	weight <sup>(1)</sup>
02	1/8 (NO)	96	59	34	30	52	67	75	88	17,5	15	26	0,50
	1/4 (NC)	95	57	33	40	50	69	78	96	22	22	30	0,60
	1/4 (NO)	96	59	34	40	52	69	78	96	22	22	30	0,62

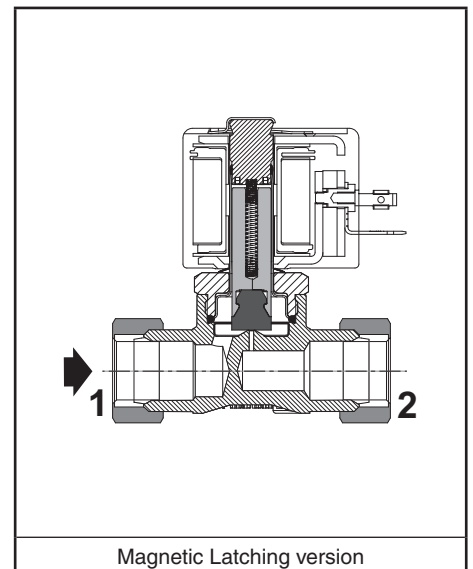
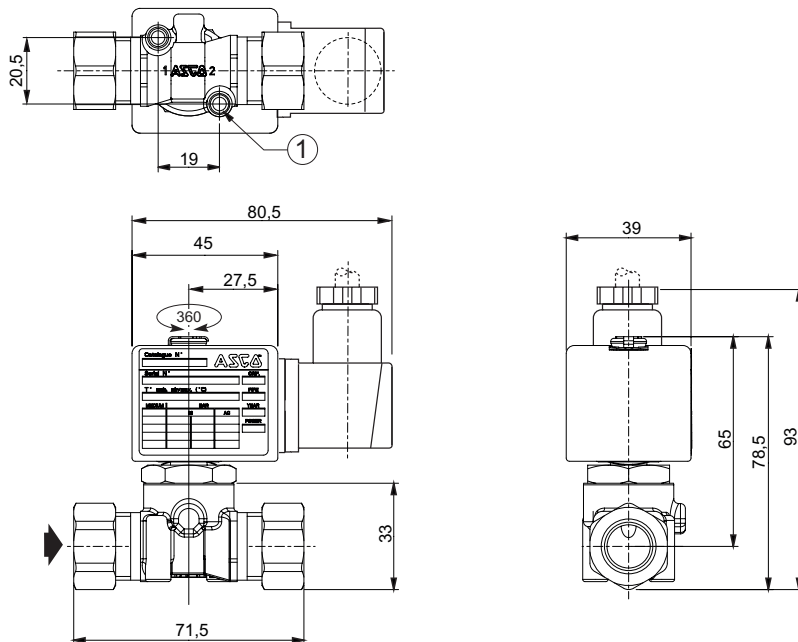
<sup>(1)</sup> Incl. coil(s) and connector(s).

- ① 2 mounting holes:  
M5 dia., depth 7,5 mm (1/4)
- ② Manual operator location.



**TYPE 03**  
 Electrical interface "S1"  
 Epoxy moulded  
 IEC 335 / ISO 4400  
 IP65

**Magnetic latching coil 2,5 W / 6 W**



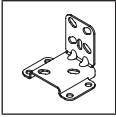
Magnetic Latching version

- ① 2 mounting holes:  
190-24 UNC-2B, depth 6 mm

**weight <sup>(1)</sup>**  
**0,45**

<sup>(1)</sup> Incl. coil(s) and connector(s).





**Mounting bracket**  
Steel or stainless steel

M200094A00 / M200095A00

