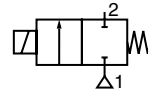




MINIATURE SOLENOID VALVES

diaphragm mechanism, fluid isolation
threaded connections
M5 - 1/8

NC



2/2
Series
282

FEATURES

- Solenoid valves for medical analysers, biotechnology and chemical industry
- Any application where the fluid may not come into contact with the electromagnetic control section of the solenoid valves
- The solenoid valves are ideal for controlling aggressive fluids and have easy to flush internal cavities
- The solenoid valves satisfy all relevant EC directives

GENERAL

Differential pressure See «SPECIFICATIONS» [1 bar =100 kPa]
Maximum viscosity 37 cSt (mm²/s)
Response time 10 ms (SCE282B001) ; 20 ms (SCG282C003)
Internal volume < 70 l (coupling not included)

fluids (*)	temperature range (TS)	seal materials (*)
air, inert gases, water, oil and liquids	- 10°C to + 100°C	VMQ (silicone)



MATERIALS IN CONTACT WITH FLUID

(*) Ensure that the compatibility of the fluids in contact with the materials is verified
Body Stainless steel AISI 316 or PVDF (polyvinylidene fluoride)
Diaphragm VMQ, FPM or EPDM

OTHERS MATERIALS

Internal parts Stainless steel

ELECTRICAL CHARACTERISTICS

Coil insulation class F
Connector Spade plug (cable Ø 4-6 mm or Ø 6-10 mm)
Connector specification
 2,5 W (DMX) 2 spade terminals, 2,8 x 0,5 mm (DIN 46340)
 8 W /9 W (ANX) ISO 4400 / EN 175301-803, form A

Electrical safety

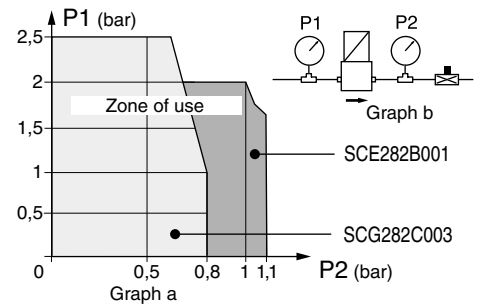
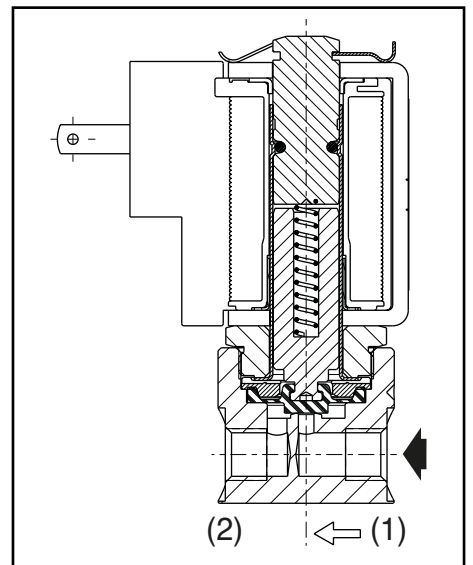
Electrical enclosure protection IEC 335
 Type 01: Moulded IP40 (EN 60529),
 Type 02: PPS (Polyphenylene sulfide) glass-fibre reinforced, IP 67 (EN 60529) with plug connector

Standard voltages

(Other voltages on request) DC (=) : 12V - 24V
 AC (-) : 24V - 115V - 230V / 50 Hz

prefix option	power ratings			operator ambient temperature range (TS) (C°)	replacement coil		type ⁽¹⁾	
	inrush ~	holding ~	hot/cold =		~	=		
	(VA)	(VA) (W)	(W)		230 V/50 Hz	24 V DC		
SC	-	-	-	2,5	-10 to + 60	-	500701-006	01
	23	14	8	9	-10 to + 60	511239-009	511239-002	02

⁽¹⁾ Refer to the dimensional drawings on the following page.



SPECIFICATIONS

pipe size	orifice size (mm)	flow coefficient Kv (m ³ /h) (l/min)		operating pressure differential (bar)				power coil (W)		catalogue number		options		
				max. (PS)						stainless steel	PVDF	FPM	EPDM	
				min.	air, inert gases (*)		liquids (*)							=
NC - Normally closed														
M5	1,6	0,04	0,66	0	-	2 ⁽²⁾	-	2 ⁽²⁾	-	2,5	SCE282B001	-	V	E
G 1/8	4	0,32	5,33	0	2,5 ⁽²⁾	2,5 ⁽²⁾	2,5 ⁽²⁾	2,5 ⁽²⁾	8	9	-	SCG282C003	V	E

⁽²⁾ See graphs (a) and (b) variation of inlet pressure (P2) for outlet pressure (P1) maintained.

OPTIONS

- Valves can also be supplied with FPM (fluoroelastomer) and EPDM (ethylene-propylene) seals. Use the appropriate optional suffix letter for identification
- Other pipe connections are available on request
- Plug with visual indication and peak voltage suppression or with cable length of 2 m

INSTALLATION

- The solenoid valves can be mounted in any position without affecting operation. For optimum performance mount solenoid vertical and upright
- Pipe connection identifier is G = G (ISO 228/1)
- Installation/maintenance instructions are included with each valve
- Replacement coils are available:
 2,5 W (DMX): DC, 12 V, catalogue number **500701-005**; AC, 24 V, catalogue number **500701-006**
 8 W/9 W (ANX): DC, 12 V, catalogue number **511239-001**; AC, 24 V, catalogue number **511239-002**;
 115 V, catalogue number **511239-007**

ORDERING EXAMPLES:

SC	E	282	B	001	24V / DC	
SC	G	282	C	003	115V / 50 Hz	
SC	G	282	C	003	V	230V / 50 Hz

prefix ———
 pipe thread ———
 basic number ———
 voltage ———
 suffix ———

DIMENSIONS (mm), WEIGHT (kg)



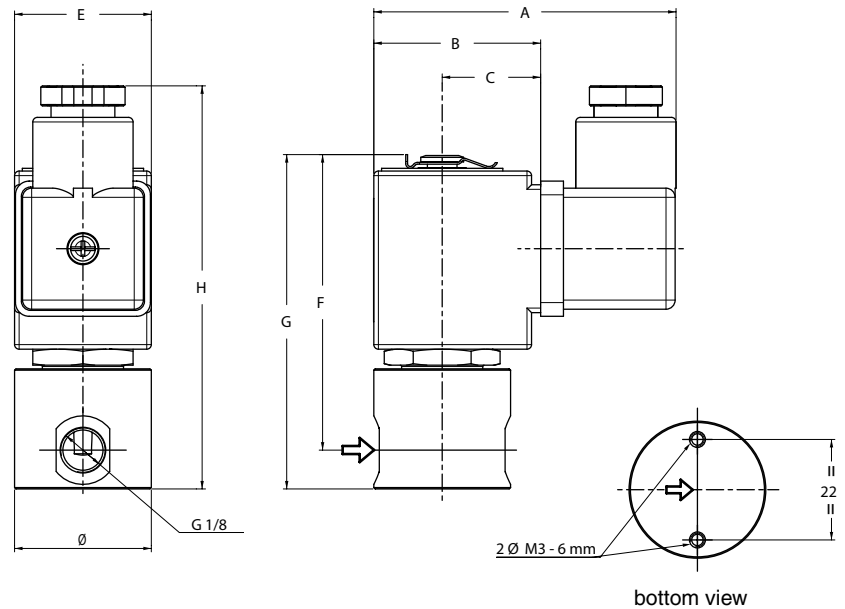
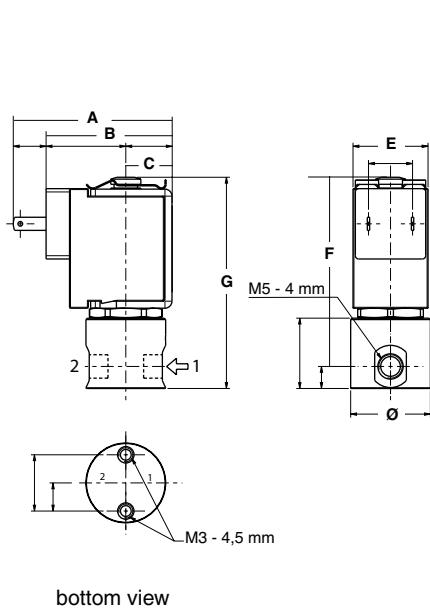
TYPE 01
 Prefix "SC" Solenoid
 IEC 335 / DIN 46340
 IP40

SCE282B001



TYPE 02
 Prefix "SC" Solenoid
 IEC 335 / DIN 46340
 IP 67 (EN 60529) with plug connector

SCG282C003



type	prefix option	catalogue number	Ø	A	B	C	D	E	F	G	H	weight
01	SC	SCE282B001	17	33,9	26,9	9,9	-	16	40,3	45	-	0,06 ⁽¹⁾
02	SC	SCG282C003	30	71,6	36,6	21,6	-	30	64,5	73	89	0,22 ⁽²⁾

⁽¹⁾ Including coil, without connector.

⁽²⁾ Incl. coil(s) and connector(s).