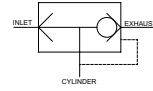




ACCESSORY VALVES

quick exhaust valve
1/4 - 1/2



Series

800

GENERAL

Operating pressure 0 to 16 bar [1 bar = 100 kPa]
Ambient temperature range -20°C to +105°C

fluids (*)	temperature range (TS)	seal materials (*)
clean dry air or dry inert gas	-20°C to +105°C	NBR (nitrile)

MATERIALS IN CONTACT WITH FLUID

(*) Ensure that the compatibility of the fluids in contact with the materials is verified

Body AISI 316L
Seals NBR

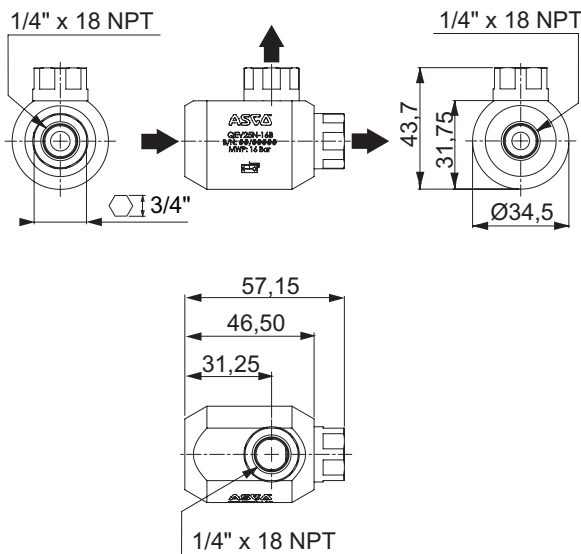
SPECIFICATIONS

pipe size	flow coefficient Kv				catalogue number
	to actuator		actuator to exhaust		
	(m³/h)	(l/min)	(m³/h)	(l/min)	
1/4	1,09	18,18	3,43	57,2	8800A10000N0000
1/2	3,03	50,51	3,52	58,6	8800A10200N0000

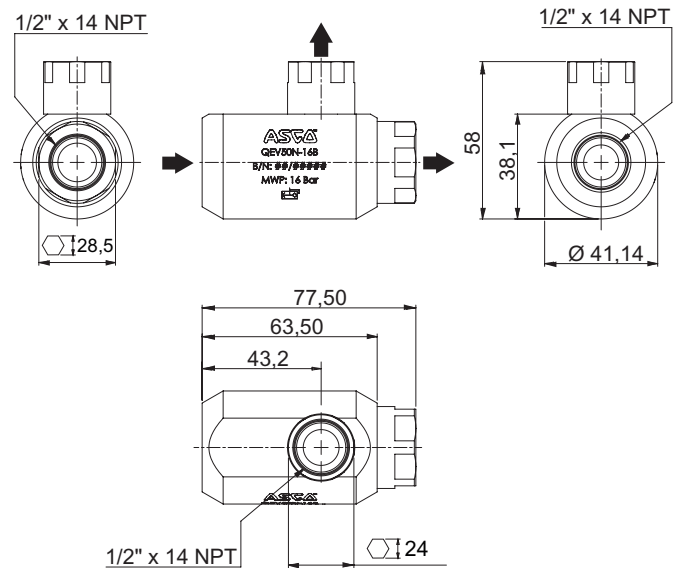


DIMENSIONS (mm), WEIGHT

8800A10000N0000



8800A10200N0000



catalogue number	Ø A	weight
8800A10000N0000	1/4 NPT	0,32
8800A10200N0000	1/2 NPT	0,55

