



## Features

- Low air consumption reduces air usage and cost.
- Horizontal or vertical gauge scales available to suite master panel layout.
- Mounting brackets attached for easy installation into master panel.

## Operating Principles

Models MPL-70 and MPLT-70 Mini-panel Loading Stations transmit and monitor a pressure signal for pneumatic instrumentation. These loading stations are ideally suited for applications with limited space.

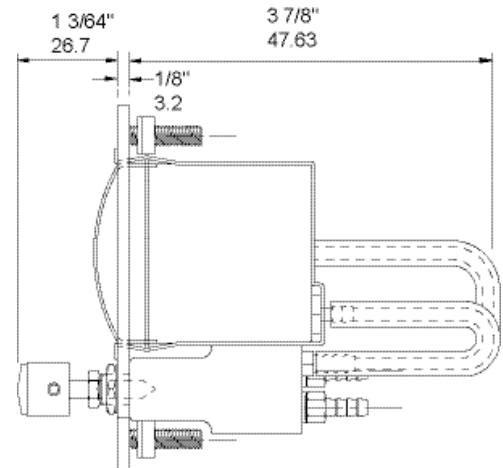
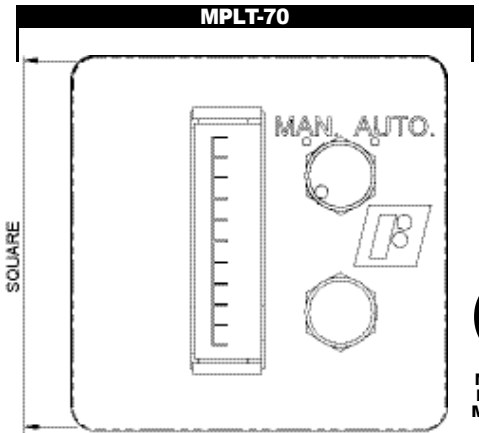
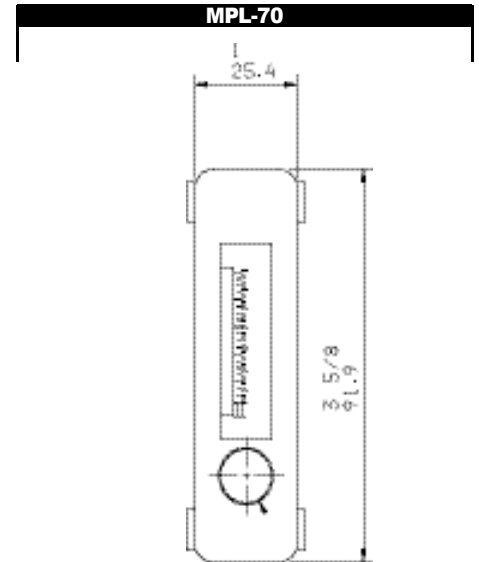
The Model MPL-70 includes a Model 70B Pneumatic Subminiature Regulator and a mini-strip gage to set and read pressure at the panel.

The MPLT-70, with the Transfer Function, includes a Model 70B Pneumatic Subminiature Regulator, an automatic or manual switch, and an additional mini-strip gage to monitor the process in automatic mode or change pressure settings in manual mode.

Turn the adjusting knob in the loading station panel in a clockwise direction to increase output pressure or in a counter-clockwise direction to decrease output pressure.

- MPL fits cutout size 7/8" (+1/8, -0) x 3-3/8" (+1/8, -0)
- MPLT fits cutout size 2-1/2" (+1/2, -0) square per SAMA Standard RC 12-3-1962

Inlet & outlet connections are barbed fittings for 1/8" I.D. tubing.



**E**  
Models  
MPL-70  
MPLT-70

# MPL-70, MPLT-70 Mini Panel Loading Stations

## Specifications

### Minimum Supply Pressure

50 psig, [3.5 BAR], (350 kPa)

### Maximum Operating Supply Pressure

250 psig, [17 BAR], (1700 kPa)

### Flow Capacity

2.5 SCFM (4.25 m<sup>3</sup>/HR) @ 100 psig, [7.0 BAR], (700 kPa) supply, 30 psig, [2.0 BAR], (200 kPa) setpoint

### Supply Pressure Effect

0.05 psig, [.003 BAR], (.35 kPa) change in output for 5 psig, [.35 BAR], (35 kPa) change in supply pressure

### Air Consumption

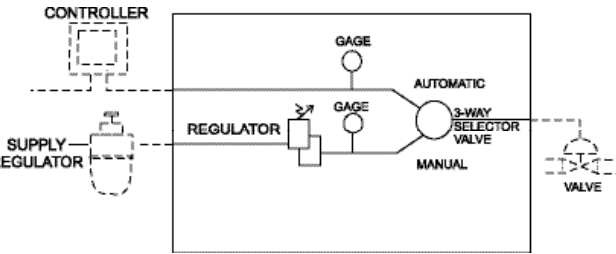
0.05 SCFM (.085 m<sup>3</sup>/HR) on dead-end service; 20 psig, [1.5 BAR], (150 kPa) supply; 9 psig, [.6 BAR], (60 kPa) output

**Ambient Temperature** ..... -40°F to +160°F, (-40°C to 71°C)

### Materials of Construction

Regulator ..... Brass, Viton (Fluorocarbon), Fiberglass  
 Three-way Valve ..... Brass, Steel,  
 Gage ..... Zinc Plated Steel, Brass  
 Hose ..... Plastic

## Model MPLT-70 Schematic Panel Loading Station with Transfer Function

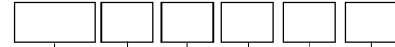


## Service Information

A Service Kit is available for the Model 70B Regulator, refer to the *Fairchild Model 70B Installation, Operation and Maintenance Instructions*, IS-1000070B.

## Catalog Information

### Catalog Number



### Panel

with Transfer Function . . . . . MPLT<sup>1</sup>  
 without Transfer Function . . . . . MPL



### Regulator

Model 70 . . . . . 70



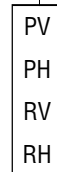
### Gage Type

Single (MPLT Only) . . . . . S  
 Dual (MPLT Only) . . . . . D  
 Leave Blank for MPL . . . . .



### Gage Type

Plain Vertical . . . . . PV  
 Plain Horizontal . . . . . PH  
 Receiver Vertical<sup>2</sup> (Graduated 0-100%) . . . . . RV  
 Receiver Horizontal<sup>2</sup> (Graduated 0-100%) . . . . . RH



### Regulator Range<sup>3</sup>

15 psig	[1.0 BAR]	(100 kPa)	15
30 psig	[2.0 BAR]	(200 kPa)	30
60 psig	[4.0 BAR]	(400 kPa)	60
100 psig	[7.0 BAR]	(700 kPa)	100

### Gage Range

15 psig	[1.0 BAR]	(100 kPa)	15
30 psig	[2.0 BAR]	(200 kPa)	30
60 psig	[4.0 BAR]	(400 kPa)	60
100 psig	[7.0 BAR]	(700 kPa)	100

<sup>1</sup> MPLT Only available in 15 psig, [1 BAR], (100 kPa) and 30 psig, [2 BAR], (200 kPa) ranges.

<sup>2</sup> 0-100% scale for 3-15 psig, [0.2-1.0 BAR], (20-100 kPa) range.

<sup>3</sup> To avoid gage damage, the regulator range should be equal to or less than the gage range.