

# STBI-3000A ILLUMINATOR

PORTED BI-COLOR, DIRECT READING WATER GAGE ILLUMINATOR AND VIEWING HOOD

The Steam-Trac STBI-3000A Illuminator matches long lasting LED lamps to a rugged fabricated enclosure to set an unsurpassed standard of reliability for bi-color water gage illumination. Each port has 4 each red and green LEDs to provide a brilliant display. To comply with ASME Section I, PG60, a ported gage must provide a means for obvious discrimination between steam and water. This requirement mandates a ported gage must have a working illuminator. By using LED lamps, the frequency maintenance associated with incandescent type lamps is virtually eliminated. When coupled with the Steam-Trac STB-3000A bi-color gage, users will experience a dramatic improvement in performance and extended maintenance cycles. The Steam-Trac bi-color gage and illumination system is field proven and has become the preferred product over competitive designs.

### Illuminator Backlighting

- Brilliant 4-cluster red and green LED lamps
- Low power consumption – reduces energy cost
- LED lifespan > 200 times that of incandescent bulbs – reduces maintenance
- Acrylic conformal coated LED board for environmental corrosion resistance

### Illuminator Power Supply

- Watertight, weatherproof, and corrosion resistant enclosure
- Standard: for non-hazardous locations, NEMA 4X
- Optional: for hazardous locations, Cl. I, Div. 1, Groups B, C, & D, NEMA 4X and 8
- Easy removal – power leads disconnect is external of enclosure and illuminator housing

### Illuminator and Viewing Hood Housing

- Rugged, corrosion resistant, heavy-walled aluminum alloy extrusions
- High thermal conductivity for efficient heat outflow away from LEDs
- Vented aluminum alloy side panels and top caps
- Stainless steel prevailing-torque panel fasteners for thermal cycling loosening resistance

### Reliable and Secure Gage Mounting

- Compact, easy to handle design
- Integral upper and lower guides maintain alignment and rigidity of side panels
- Headed J-hook gage mounting hangers are independent of housing latches and strikes
- Spring-loaded stainless steel latches with stainless steel strikes

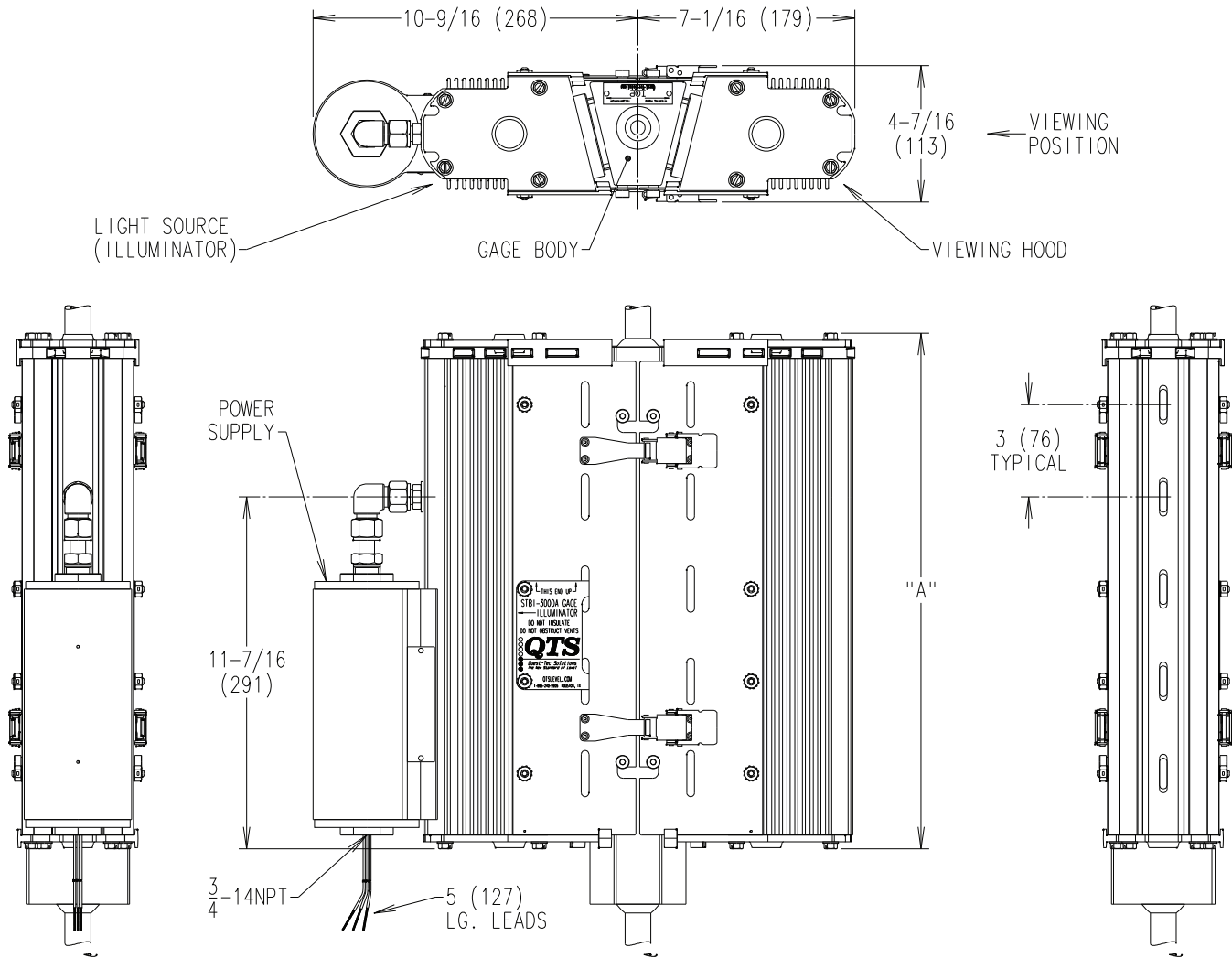


[Right Image] STBI-3000A Illuminator Mounted to 5 Port Gage | [Left Image] STBI-3000A Viewing Hood Mounted to 5 Port Gage

### ELECTRICAL SPECIFICATIONS

Power Supply .....	84-264 VAC
Power Consumption .....	0.025 Amps/port
Power Supply Enclosure Classification (Standard) .....	NEMA 4X
(Optional) .....	Cl. I, Div. 1, Groups B, C, & D
LED Lifespan .....	Greater than 100,000 hours

# STBI-3000A ILLUMINATOR



ILLUMINATOR SIZE		DIMENSION A		ILLUMINATOR SIZE		DIMENSION A		ILLUMINATOR SIZE		DIMENSION A	
Model No.	Ports	inches	mm	Model No.	Ports	inches	mm	Model No.	Ports	inches	mm
STBI-3000A-04	4	13-3/4	349	STBI-3000A-13	13	40-3/4	1035	STBI-3000A-22	22	67-3/4	1721
STBI-3000A-05	5	16-3/4	425	STBI-3000A-14	14	43-3/4	1111	STBI-3000A-23	23	70-3/4	1797
STBI-3000A-06	6	19-3/4	502	STBI-3000A-15	15	46-3/4	1187	STBI-3000A-24	24	73-3/4	1873
STBI-3000A-07	7	22-3/4	578	STBI-3000A-16	16	49-3/4	1264	STBI-3000A-25	25	76-3/4	1949
STBI-3000A-08	8	25-3/4	654	STBI-3000A-17	17	52-3/4	1340	STBI-3000A-26	26	79-3/4	2026
STBI-3000A-09	9	28-3/4	730	STBI-3000A-18	18	55-3/4	1416	STBI-3000A-27	27	82-3/4	2102
STBI-3000A-10	10	31-3/4	806	STBI-3000A-19	19	58-3/4	1492	STBI-3000A-28	28	85-3/4	2178
STBI-3000A-11	11	34-3/4	883	STBI-3000A-20	20	61-3/4	1568	STBI-3000A-29	29	88-3/4	2254
STBI-3000A-12	12	37-3/4	959	STBI-3000A-21	21	64-3/4	1645	STBI-3000A-30	30	91-3/4	2330



13960 S. Wayside | Houston, TX 77048 | Toll Free: 866.240.9906 | Tel: 281.240.0440  
 Fax: 281.240.2440 | www.QTSlevel.com | Sales@QTSlevel.com



Quest-Tec Solutions  
 Registration #0736



ISO 9001: 2008 | "S" Stamp, Cert # 51,922