




# SPECIAL FLUIDS COMBUSTIBLE GAS AND OIL

## Product Index



Quick Selection  
Chart  
page: II

Function	Δ P		Temperature			Pipe connections	Series	Page
	min. (bar)	max. (bar)	min. (°C)	max. (°C)				
<b>BRASS BODY</b>								
NC-NO	0	45	-20	+125	Fuel oil	 3/8 .. 3/4	<a href="#">266</a>	<a href="#">1</a>
NC	0	2,76	0	+60	Combustible gas, EN 161	1/8 - 1/4	<a href="#">262</a>	<a href="#">3</a>
NC	0	0,48	0	+60	Combustible gas, EN 161	3/8 - 1/2	<a href="#">030</a>	<a href="#">11</a>
<b>ALUMINIUM BODY</b>								
NC	0	1	-40	+90	Combustible gas (air)	1/8 .. 3/4	<a href="#">040</a>	<a href="#">7</a>
NC	0	0,14	0	+60	Combustible gas, EN 161	3/8 .. 1	<a href="#">040</a>	<a href="#">9</a>
NC	0	2	-15	+60	Combustible gas, EN 161	3/8 - 1/2	<a href="#">215</a>	<a href="#">13</a>
NC-NO	0	9	-20	+85	Combustible gas (air , inert gas)	3/8 - 3	<a href="#">215</a>	<a href="#">13</a> <sup>(3)</sup>
<b>BRONZE BODY</b>								
NC	0	10	-10	+60	Combustible gas, EN 161	1/2 - 2	<a href="#">290</a>	<a href="#">15</a>
<b>STAINLESS STEEL BODY</b>								
NC <sup>(1)</sup>	0	9/10	-10	+60	Combustible gas, EN 161-CERTIGAZ	 1/2 - 2	<a href="#">290</a>	<a href="#">15</a>
NC <sup>(2)</sup>	0	1	-10	+60	Combustible gas, EN 161-CERTIGAZ	3/8 - 2	<a href="#">290</a>	<a href="#">17</a>
<b>STAINLESS STEEL BODY - PROPORTIONAL VALVES</b>								
NC <sup>(2)</sup>	0	1	0	+50	Combustible gas, EN 161-CERTIGAZ	 1/2 - 2	<a href="#">290</a>	<a href="#">19</a>

<sup>(1)</sup> Fluid entry above the disc.

<sup>(2)</sup> Fluid entry under the disc.

<sup>(3)</sup> See section: [Solenoid Valves \(2/2\)](#) ([www.asco.com](http://www.asco.com))



### What is combustible gas?

Combustible gases are gases or gaseous mixtures which burn in the presence of air or oxygen and are used mainly for heat generation. Combustible gases belong to families of gases whose combustion characteristics are in a large measure similar and which make them interchangeable.

- The first family of gases comprises town gas (made from coal) and coke-oven gas (gaseous fuel rich in carbon monoxide and hydrogen);
- the second family comprises natural gases, gases associated with petroleum and gases interchangeable with these;
- the third family of gases comprises liquefied petroleum gases.

### Pressure operated valves/Solenoid valves to EN 161: What is this standard and what does it apply to?

This standard applies to electrically actuated shut-off valves with an operating pressure below or equal to 4 bar [for burners or appliances that can be fuelled with one or several types of 1st family gases (town gas etc.), 2nd family gases (natural gas etc), or 3rd family gases (liquefied petroleum gases)].

It defines the safety, design and operating specifications for shut-off valve.

The purpose of these valves is to automatically shut off the source of gas on loss of power.

They must operate:

- within their full operating pressure range;
- within ambient temperature ranges: 0° to +60°C;
- within voltage ranges from: 85% to 100% (of their nominal voltage).

Pressure operated valves/Solenoid valves to EN 161 must likewise meet these requirements.

The valves can be mounted in any position without affecting operation.

Closing time: The closing time (the valve's response time) must not exceed 1 s.

Gas compatible elastomer materials must be homogeneous and free of pores, inclusions, grains, blisters and surface imperfections visible to the naked eye.

Valve marking: EU (in accordance with the Regulation (EU) 2016/426 on gas appliances).

The 2/2 NF shut-off valves from the 290 series comply with the European Pressure Equipment Directive 2014/68/EU and the Regulation (EU) 2016/426 on gas appliances.

In the context of the Regulation on gas appliances, these valves meet the specifications of the standard EN 161 for combustible gas applications and have achieved certification:

**EU type examination certificate no.: CERTIGAZ 1312CN5765**

**EU type examination certificate no.: CERTIGAZ 1312CP5992**

**EU type examination certificate no.: CERTIGAZ 1312CQ6072**

### I do not need products to EN 161 standard, so which ones apply to me?

You can use non-EN 161 products such as: **(See sections)**

**Combustible Gas & Oil** ([www.asco.com](http://www.asco.com)) **[040 Series]**

**Solenoid Valves (2/2)** ([www.asco.com](http://www.asco.com)) **[030 Series]** et ([www.asco.com](http://www.asco.com)) **[215 Series]**

**Pressure Operated Valves (2/2)** ([www.asco.com](http://www.asco.com)) **[290 Series]**

Before use, make sure that the compatibility of the fluids in contact with the materials is verified.

To check for compatibility, see the "Chemical Resistance Guide" in section:

«**General & Engineering Information**» ([www.asco.com](http://www.asco.com))

The information in the Guide is given for reference only. ASCO declines all responsibility for any use of its products with fluids not specified in the table. Please contact us for any specific uses.

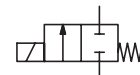




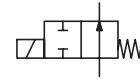
# SOLENOID VALVES

direct operated  
lever type, for heavy fuel oil  
3/8 to 3/4

NC



NO



2/2  
Series  
266

## FEATURES

- Forged brass bodied lever actuated valves for fuel oil no. 2, 4 (10-64 cSt), heavy fuel oil no. 5 (75-160 cSt) and heated no. 6 (90-640 cSt)
- The valves have a 1/2" NPT (bypass) connection for preheating purpose of the medium, see construction 2
- Solenoid valves have a viton seal for absolute tight shut-off or a stainless steel seating for a long life and reliable control
- The solenoid valves satisfy all relevant EU directives

## GENERAL

**Differential pressure** See «SPECIFICATIONS» [1 bar = 100 kPa]  
**Maximum viscosity** 10 to 640 cSt (mm<sup>2</sup>/s)  
**Response time** 20 - 40 ms

fluids (*)	temperature range (TS)	seal materials (*)
fuel oil grade 2 & 4	-20°C to +125°C	FPM (fluoroelastomer)
fuel oil grade 5 or heated 6	-20°C to +125°C	stainless steel (303 SS)

## MATERIALS IN CONTACT WITH FLUID

(\*) Ensure that the compatibility of the fluids in contact with the materials is verified

	Construction 1	Construction 2
<b>Body</b>	Brass	Brass
<b>Core tube</b>	Stainless steel	Stainless steel
<b>Core and plugnut</b>	Stainless steel	Stainless steel
<b>Springs</b>	Stainless steel	Stainless steel
<b>Seat</b>	FPM or metal-to-metal	FPM or metal-to-metal
<b>Seals</b>	FPM	FPM
<b>Disc</b>	Stainless steel	Stainless steel
<b>Shading coil</b>	Copper	Copper

## ELECTRICAL CHARACTERISTICS

**Coil insulation class** F  
**Connector** Spade plug (cable Ø 6-10 mm)  
**Connector specification** ISO 4400 / EN 175301-803, form A  
**Electrical safety** IEC 335  
**Electrical enclosure protection** Moulded IP65 (EN 60529)  
**Standard voltages** AC (~): 24V - 48V - 115V - 230V / 50 Hz

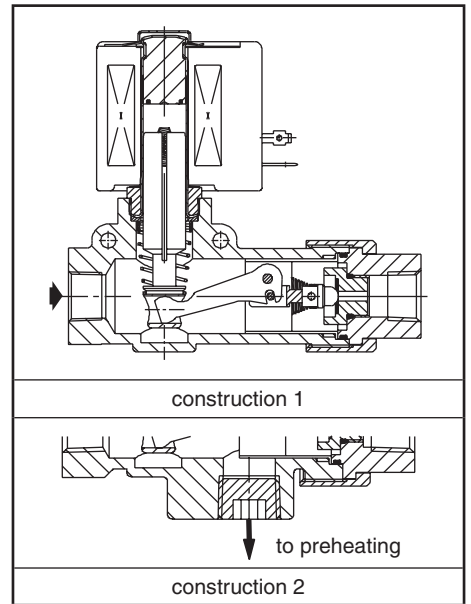
(Other voltages and 60 Hz on request)

prefix option	power ratings				operator ambient temperature range (TS) (C°)	replacement coil		type <sup>(1)</sup>
	inrush ~	holding ~		hot/cold =		~	=	
		(VA)	(VA)					
SC	110	33,6	15,4	-	-20 to +40	230 V/50 Hz	-	01
	240	43	20	-	-20 to +40	400525-117	-	

<sup>(1)</sup> Refer to the dimensional drawings on the following page.

## SPECIFICATIONS

pipe size	orifice size	flow coefficient Kv		operating pressure differential (bar)				power coil (W)		catalogue number	
				min.	max. (PS)		FPM (suffix V)			metal-to-metal (suffix L)	
					fuel oil grade 2 & 4 (*)	fuel oil grade 5 or heated 6 (*)					~
NPT	(mm)	(m <sup>3</sup> /h)	(l/min)								
<b>NC - Normally closed, 2 port version (construction 1)</b>											
3/8	3,2	0,3	1,5	0	28	25	15,4	-	SCB266D001V	SCB266D001L	
	4,8	0,6	10	0	14	12	15,4	-	SCB266D007V	SCB266D007L	
	4,8				21	17	20	-	SCB266D011V	SCB266D011L	
	6,4	1	16,6	0	8	7	15,4	-	SCB266D023V	SCB266D023L	
1/2	3,2	0,3	1,5	0	28	25	15,4	-	SCB266D047V	SCB266D047L	
	4,8	0,6	10	0	14	12	15,4	-	SCB266D053V	SCB266D053L	
					21	17	20	-	SCB266D057V	SCB266D057L	
					12	10	15,4	-	SCB266D061V	SCB266D061L	
	6,4	1	16,6	0	8	7	15,4	-	SCB266D069V	SCB266D069L	
	8	1,5	25	0	5	5	15,4	-	SCB266D077V	SCB266D077L	
	9	2,1	35	0	3	2	15,4	-	SCB266D085V	SCB266D085L	
<b>NC - Normally closed, 3 port version, one bypass port (construction 2)</b>											
1/2	3,2	0,3	1,5	0	45	42	20	-	SCB266C203V	SCB266C203L	
	6,4	1	16,6	0	12	11	20	-	SCB266C215V	SCB266C215L	
	8	1,5	25	0	8	7	20	-	SCB266C219V	SCB266C219L	
	9	2,1	35	0	6	5	20	-	SCB266C223V	SCB266C223L	
3/4	6,4	1	16,6	0	12	11	20	-	SCB266C239V	SCB266C239L	
	8	1,5	25	0	8	7	20	-	SCB266C243V	SCB266C243L	
	9	2,1	35	0	5	5	20	-	SCB266C247V	SCB266C247L	



### SPECIFICATIONS

pipe size	orifice size	flow coefficient Kv		operating pressure differential (bar)			power coil (W)		catalogue number	
				min.	max. (PS)				FPM (suffix V)	metal-to-metal (suffix L)
					fuel oil grade 2 & 4 (*)	fuel oil grade 5 or heated 6 (*)				
NPT	(mm)	(m³/h)	(l/min)		~	~	=	~	~	
<b>NO - Normally open, 2 port version (construction 1)</b>										
3/8	3,2	0,3	1,5	0	29	28	15,4	-	SCB266D101V	SCB266D101L
	4,8	0,6	10	0	11	10	15,4	-	SCB266D107V	SCB266D107L
	6,4	1	16,6	0	6	5	15,4	-	SCB266D123V	SCB266D123L
1/2	4,8	0,6	10	0	11	10	15,4	-	SCB266D153V	SCB266D153L
	5,2	0,7	11,6	0	9	9	15,4	-	SCB266D161V	SCB266D161L
	6,4	1	16,6	0	6	5	15,4	-	SCB266D169V	SCB266D169L

### OPTIONS

- Waterproof enclosure with embedded screw terminal coil according to protection class IP67, CEE-10
- Explosionproof enclosures for use in zones 1/21-2/22, categories 2-3 to ATEX Directive 2014/34/EU ([www.asco.com](http://www.asco.com))
- Electrical enclosures according to "NEMA" standards are available
- Compliance with "UL", "CSA" and other local approvals available on request
- Other insulation classes (H) are available
- Other pipe connections are available on request
- Connector with visual indication and peak voltage suppression or with cable length of 2 m ([www.asco.com](http://www.asco.com))

### INSTALLATION

- The solenoid valves must be mounted with the solenoid vertical and upright
- Solenoid valves have 2 mounting holes in body
- Pipe connection identifier is B = NPT (ANSI 1.20.3)
- Installation/maintenance instructions are included with each valve

### SPARE PARTS KITS

catalogue number	spare parts kit no.	
	~	
	FPM	metal-to-metal
SCB266D001/D047/C203	C304097V	C304097L
SCB266D007/D053/D011/D057	C304098V	C304098L
SCB266D023/C215	C304099V	C304099L
SCB266D061	C304100V	C304100L
SCB266D069/C239	C304099V	C304099L
SCB266D077/C219/C243	C304101V	C304101L
SCB266D085/C223/C247	C304102V	C304102L
SCB266D101	C304103V	C304103L
SCB266D107/D153	C304104V	C304104L
SCB266D123	C304123V	C304123L
SCB266D169V	C304106V	C304106L

(1) Standard prefixes/suffixes are also applicable to kits.

### ORDERING EXAMPLES:

SC	B	266	D	001	V	230V / 50 Hz
SC	B	266	D	006	L	115V / 50 Hz
SC	B	266	C	203	V	24V / 50 Hz
SC	B	266	C	203	L	230V / 50 Hz

prefix | pipe thread | basic number | voltage | suffix

### ORDERING EXAMPLES KITS:

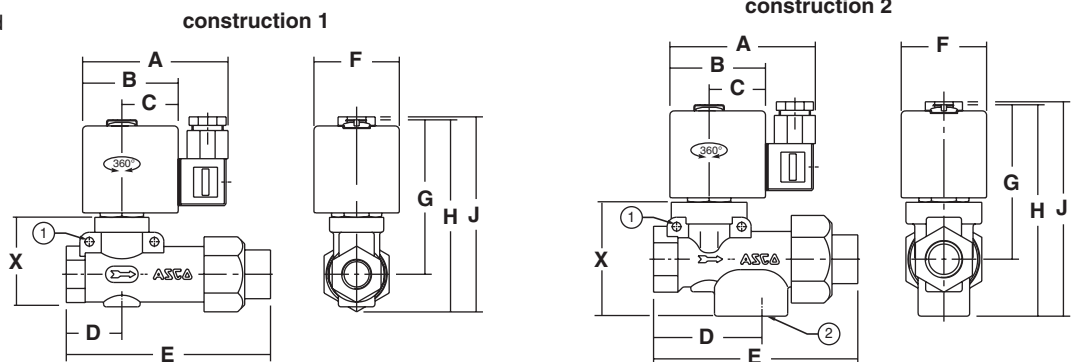
C304097 <sup>(1)</sup>	
C304097	V
C304102	L

basic number | suffix

### DIMENSIONS (mm), WEIGHT (kg)



**TYPE 01**  
Prefix "SC" Solenoid  
Epoxy moulded  
IEC 335 / ISO 4400  
IP65



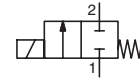
type	prefix option	construction	A	B	C	D	E	F	G	H	J	X	weight <sup>(2)</sup>
01	SC	1	86	56	33	33	119	50	90	110	111	53	1,4
		2	86	56	33	64	119	50	90	124	126	72	1,6

(2) including coil and connector.

- ① 2 mounting holes Ø 5,1 mm, pitch 38 mm.
- ② 1/2 NPT bypass connection for preheating service.

All leaflets are available on: [www.asco.com](http://www.asco.com)

### 2 - Combustible Gas & Oil



## FEATURES

- For gas pilot and gas burner control on industrial atmospheric and forced draught burners, also used in kilns and furnaces in process industries
- All valves have been type tested to EN 161 and satisfy the Regulation (EU) 2016/426 on gas appliances  
Certificate of conformity BSI: No. CE 688365
- All valves are for class A group 2 service and cover gas family 1, 2 and 3
- All valves are suitable to withstand 150 mbar back pressure
- Direct lift valves with resilient soft seating for tight shut-off

## GENERAL

**Differential pressure** See «SPECIFICATIONS» [1 bar =100 kPa]  
**Response time** 1 s max.

fluids (*)	temperature range (TS)	seal materials (*)
combustible gas	0°C to +60°C	NBR (nitrile)



## GENERAL

### MATERIALS IN CONTACT WITH FLUID

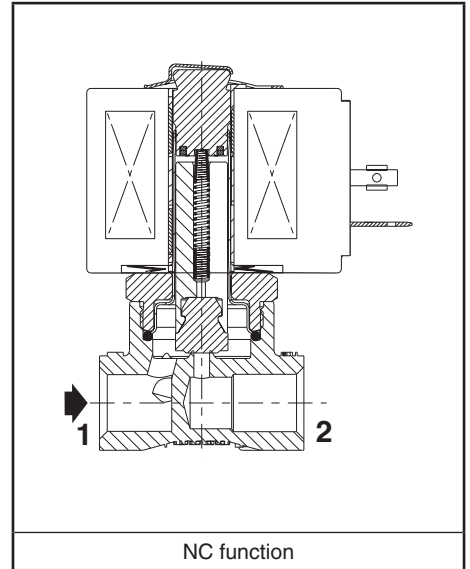
(\*) Ensure that the compatibility of the fluids in contact with the materials is verified

<b>Body</b>	Brass
<b>Shading coil</b>	Copper
<b>Core tube</b>	Stainless steel, AISI 305
<b>Core and plugnut</b>	Stainless steel, AISI 430F
<b>Springs</b>	Stainless steel, AISI 302
<b>Seal</b>	NBR
<b>Disc</b>	NBR

## ELECTRICAL CHARACTERISTICS

<b>Coil insulation class</b>	F
<b>Connector</b>	Spade plug (cable Ø 6-10 mm)
<b>Connector specification</b>	ISO 4400 / EN 175301-803, form A
<b>Electrical safety</b>	IEC 335
<b>Electrical enclosure protection</b>	Moulded IP65 (EN 60529)
<b>Standard voltages</b>	AC (~) : 24V - 48V - 115V - 230V/50 Hz
(Other voltages and 60 Hz on request)	

operator ambient temperature range (TS) (°C)	power ratings			replacement coil
	inrush ~ (VA)	holding ~ (VA)	- (W)	
0 to +60	24	16	8,1	230 V/50 Hz 515488-059



## OPTIONS

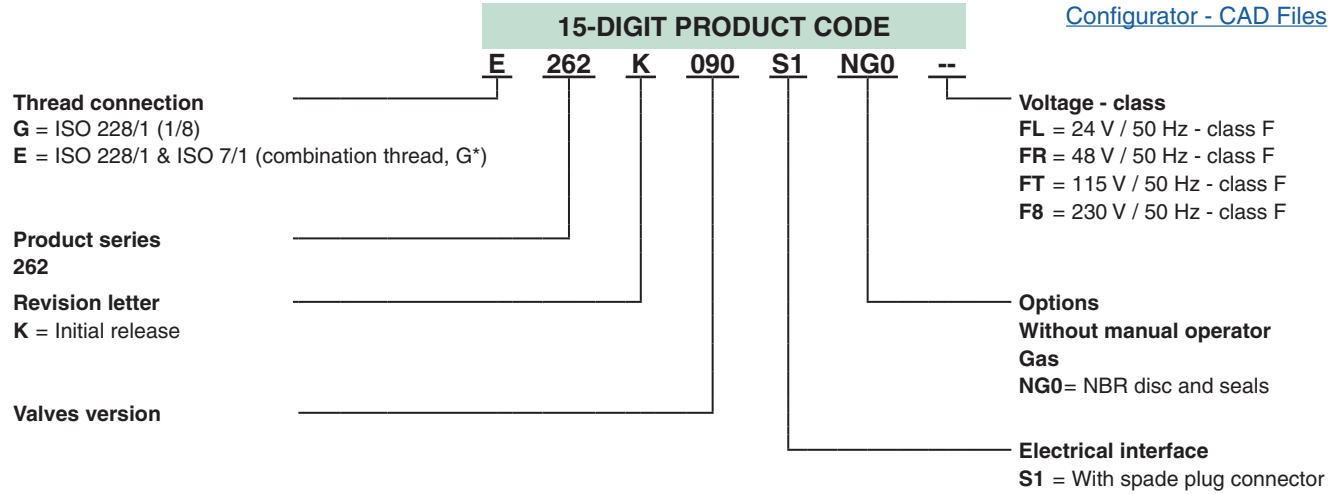
Connector with visual indication and peak voltage suppression or with cable length of 2 m ([www.asco.com](http://www.asco.com))

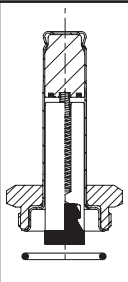
### SPECIFICATIONS

pipe size	orifice size (mm)	flow (m³/h) (l/min)			operating pressure differential (bar)		power coil (W)	thread type	dimensions / type (1)	15-DIGIT PRODUCT CODE									
					max. (PS)					brass	voltage code								
					gas (*)						24 V/50 Hz	48 V/50 Hz	115 V/50 Hz	230 V/50 Hz	.	.			
<b>WITHOUT MANUAL OPERATOR</b>																			
<b>NC - Normally closed</b>																			
1/8	3,2	0,3	5	0	2,76	8,1	G	01	<b>G262K002S1NG0</b>					FL	FR	FT	F8	-	-
1/4	7,1	0,76	12,7	0	2,1	8,1	G*	01	<b>E262K090S1NG0</b>										

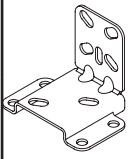
(1) For dimensions, see drawing(s) for each construction type on the following page(s).

(\*) Ensure that the compatibility of the fluids in contact with the materials is verified.



		SPARE PARTS KITS CODE (*)	
		AC (~)	
			NBR
	G262K002S1NG0	M200001	
	E262K090S1NG0		NG0



		ACCESSORIES CODE
	Mounting bracket Steel version (AISI 1010 / 1.1121)	M200094A00
	Mounting bracket Stainless steel version (AISI 304 / 1.4301)	M200095A00

### INSTALLATION

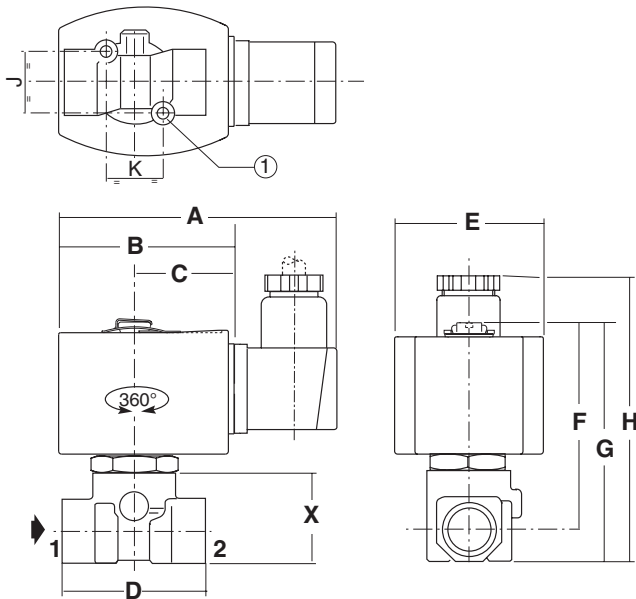
- The solenoid valves can be mounted in any position without affecting operation
- Solenoid valves have 2 mounting holes in body
- Thread connection “E” applicable for 1/4 have standard thread according to ISO 228/1 and ISO 7/1. Thread connection “G” applicable for 1/8, have standard thread according to ISO 228/1
- Installation/maintenance instructions are included with each valve

### DIMENSIONS (mm), WEIGHT (kg)

[Configurator - CAD Files](#)



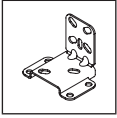
**TYPE 01**  
 Electrical interface “S1”  
 Epoxy moulded  
 IEC 335 / ISO 4400  
 IP65



type	pipe size	A	B	C	D	E	F	G	H	X	weight <sup>(1)</sup>
01	1/8	88	51	30	30	43	62	71	88	26	0,30
	1/4	88	51	30	40	43	65	75	92	30	0,42

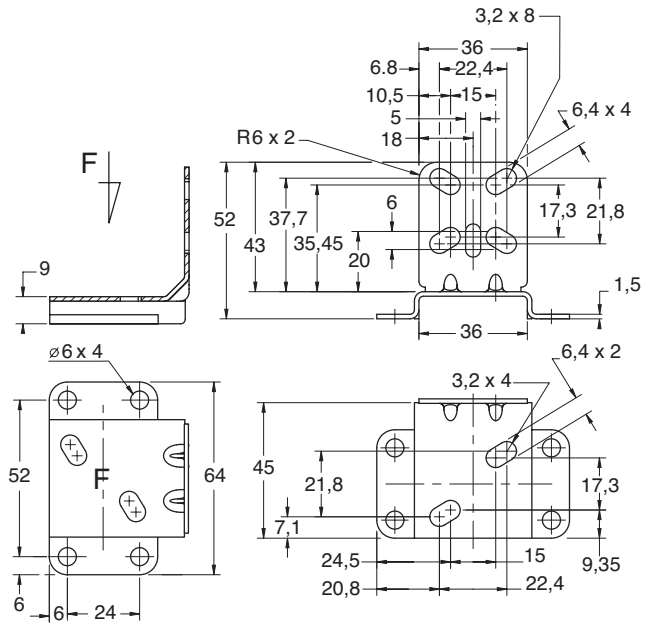
- ① 2 mounting holes:  
 M5 dia., depth 6,5 mm (1/8)  
 M5 dia., depth 7,5 mm (1/4)

<sup>(1)</sup> Incl. coil(s) and connector(s).



**Mounting bracket**  
Steel or stainless steel

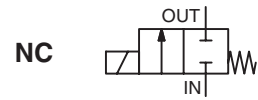
M200094A00 / M200095A00





# SOLENOID VALVES

direct operated  
for low pressure gaseous fluids  
1/8 to 3/4



2/2  
Series  
040

## FEATURES

- Aluminium bodied low pressure valves designed to provide maximum flow
- Solenoid valves for gas pilot control on industrial power boilers and low pressure air and gas control on gas-fired ovens and furnaces
- Direct lift solenoid valves have a resilient soft seating for absolute tight shut-off on low pressures
- The solenoid valves do not require a minimum operating pressure
- Downstream tap for leak check purpose
- The solenoid valves satisfy all relevant EU Directives

## GENERAL

**Differential pressure** See «SPECIFICATIONS» [1 bar =100 kPa]  
**Response time** 5 - 40 ms

fluids (*)	temperature range (TS)	seal materials (*)
air, gas	-40°C to +90°C	NBR (nitrile)



## MATERIALS IN CONTACT WITH FLUID

(\*) Ensure that the compatibility of the fluids in contact with the materials is verified

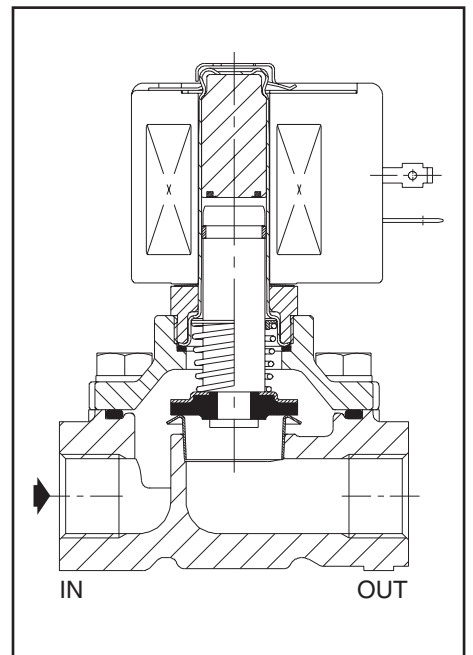
<b>Body</b>	Aluminium
<b>Core tube</b>	Stainless steel
<b>Core and plugnut</b>	Stainless steel
<b>Springs</b>	Stainless steel
<b>Seat</b>	Aluminium
<b>Seal</b>	NBR
<b>Disc</b>	NBR (low temperature)
<b>Riderring</b>	PTFE
<b>Core guide</b>	POM
<b>Shading coil</b>	Copper

## ELECTRICAL CHARACTERISTICS

**Coil insulation class** F  
**Connector** Spade plug (cable Ø 6-10 mm)  
**Connector specification** ISO 4400 / EN 175301-803, form A  
**Electrical safety** IEC 335  
**Electrical enclosure protection** Moulded IP65 (EN 60529)  
**Standard voltages** AC (~) : 24V - 48V - 115V - 230V / 50 Hz  
(Other voltages and 60 Hz on request)

prefix option	power ratings			operator ambient temperature range (TS) (C°)	replacement coil		type <sup>(1)</sup>	
	inrush	holding			~	=		
	~ (VA)	~ (VA)	~ (W)		= (W)	=		
SC	34	15,6	6	-	-40 to +75	400325-117	-	01
	55	23	10,5	-	-40 to +75	400425-117	-	02

<sup>(1)</sup> Refer to the dimensional drawings on the following page.



## SPECIFICATIONS

pipe size	orifice size	flow coefficient Kv		operating pressure differential (bar)				power coil (W)		catalogue number
				min.	max. (PS)		air/gas (*)			
					~	=				
NPT	(mm)	(m³/h)	(l/min)							~
<b>NC - Normally closed</b>										
1/8	9	0,9	15	0	1	-	6	-		SCB040H006
1/4	9	0,9	15	0	1	-	6	-		SCB040H007
3/8	9	1	16,7	0	1	-	6	-		SCB040H008
3/8	19	3,3	55	0	0,15	-	10,5	-		SCB040A021
1/2	19	4,6	76,7	0	0,15	-	10,5	-		SCB040A022
3/4	19	8,1	135	0	0,15	-	10,5	-		SCB040A023

### OPTIONS

- Waterproof enclosure with embedded screw terminal coil according to protection class IP67, CEE-10
- Explosionproof enclosures for use in zones 1/21-2/22, categories 2-3 to ATEX Directive 2014/34/EU ([www.asco.com](http://www.asco.com))
- Electrical enclosures according to "NEMA" standards are available
- Mounting brackets, suffix MB
- Other pipe connections are available on request
- Connector with visual indication and peak voltage suppression or with cable length of 2 m ([www.asco.com](http://www.asco.com))

### INSTALLATION

- The solenoid valves can be mounted in any position without affecting operation
- Solenoid valves have 2 mounting holes in body
- Pipe connection identifier is B = NPT (ANSI 1.20.3)
- Installation/maintenance instructions are included with each valve

### SPARE PARTS KIT

catalogue number	spare parts kit no.	
	~	=
SCB040H006/H007/H008	<b>C314692</b>	-
SCB040A021/A022/A023	<b>C306633</b>	-

- Not available.

### ORDERING EXAMPLES:

SC	B	040	H	006	230V / 50 Hz
SC	B	040	A	021	115V / 50 Hz

prefix: SC  
 pipe thread: B  
 basic number: 040  
 suffix: H 006 / A 021  
 voltage: 230V / 50 Hz / 115V / 50 Hz

### ORDERING EXAMPLES KITS:

C306633
---------

basic number: C306633

### DIMENSIONS (mm), WEIGHT (kg)



#### TYPE 01

Prefix "SC" Solenoid  
Epoxy moulded  
IEC 335 / ISO 4400  
IP65

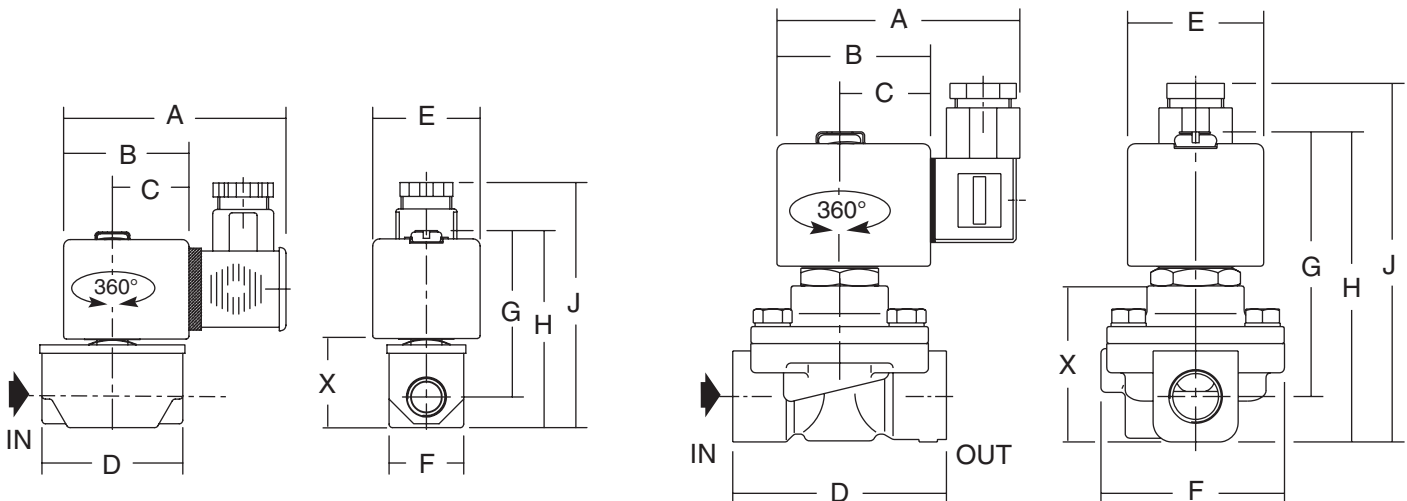
Type 01: SCB040H006/H007/H008



#### TYPE 02

Prefix "SC" Solenoid  
Epoxy moulded  
IEC 335 / ISO 4400  
IP65

Type 02: SCB040A021/A022/A023



type	prefix option	catalogue number	A	B	C	D	E	F	G	H	J	X	weight <sup>(1)</sup>
01	SC	SCB040H006/H007/H008	75	45	27	48	39	48	68	81	98	23	0,4
02	SC	SCB040A021/A022	80	50	30	70	45	58	88	102	119	51	0,6
		SCB040A023	80	50	30	84	45	58	92	112	129	55	0,7

<sup>(1)</sup> including coil and connector.

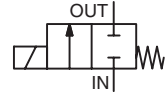
All leaflets are available on: [www.asco.com](http://www.asco.com)



# SOLENOID VALVES

direct operated  
for low pressure gas, according to EN 161  
3/8 to 1

NC



2/2  
Series  
040

## FEATURES

- For gas pilot and gas burner control on industrial atmospheric and forced draught burners, also used in kilns and furnaces in process industries
- All valves have been type tested to EN 161 and satisfy the Regulation (EU) 2016/426 on gas appliances  
Certificate of conformity BSI: No. CE 688365
- All valves are for class A group 2 service and cover gas family 1, 2 and 3
- All valves are suitable to withstand 150 mbar back pressure
- Aluminium bodied, low pressure valves designed to provide maximum flow
- Direct lift valves with resilient soft seating for tight shut-off

## GENERAL

**Differential pressure** See «SPECIFICATIONS» [1 bar = 100 kPa]  
**Response time** 1 s max.

fluids (*)	temperature range (TS)	seal materials (*)
combustible gas	0°C to +60°C	NBR (nitrile)

## MATERIALS IN CONTACT WITH FLUID

(\*) Ensure that the compatibility of the fluids in contact with the materials is verified

<b>Body</b>	Aluminium
<b>Core tube</b>	Stainless steel
<b>Core and plugnut</b>	Stainless steel
<b>Springs</b>	Stainless steel
<b>Seat</b>	Aluminium
<b>Seal</b>	NBR
<b>Disc</b>	NBR
<b>Riderring</b>	PTFE
<b>Core guide</b>	POM
<b>Shading coil</b>	Copper

## ELECTRICAL CHARACTERISTICS

**Coil insulation class** F  
**Connector** Spade plug (cable Ø 6-10 mm)  
**Connector specification** ISO 4400 / EN 175301-803, form A  
**Electrical safety** IEC 335  
**Electrical enclosure protection** Moulded IP65 (EN 60529)  
**Standard voltages** AC (~) : 24V - 48V - 115V - 230V / 50 Hz  
(Other voltages on request)

prefix option	power ratings				operator ambient temperature range (TS) (C°)	replacement coil		type <sup>(1)</sup>
	inrush ~	holding ~		hot/cold =		~	=	
	(VA)	(VA)	(W)	(W)		230 V/50 Hz	-	
EGSC	85	35	14	-	0 to +60	400902-117	-	01
	127	46	20	-	0 to +60	400903-117	-	02

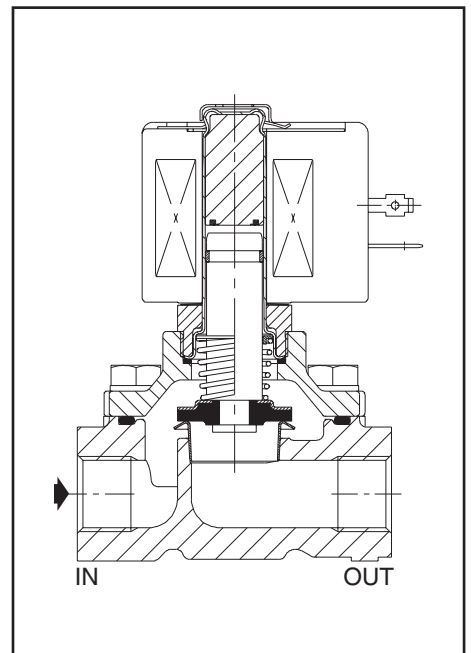
<sup>(1)</sup> Refer to the dimensional drawings on the following page.

## SPECIFICATIONS

pipe size	orifice size	flow <sup>(2)</sup>		operating pressure differential (bar)				power coil (W)		catalogue number
				min.	max. (PS)		gas (*)			
					~	=				
Rp	(mm)	(m³/h)	(l/min)							~
<b>NC - Normally closed</b>										
3/8	19	4,9	81,7	0	0,086	-	-	14	-	EGSCE040B001
1/2	19	7	116,7	0	0,086	-	-	14	-	EGSCE040B002
3/4	19	10,3	172	0	0,086	-	-	14	-	EGSCE040B003
1	23,8	14,84	247	0	0,086	-	-	20	-	EGSCE040A024 <sup>(3)</sup>

<sup>(2)</sup> For 2,5 mbar pressure drop air 1,0 s.g. at 1,013 mbar and 15°C.

<sup>(3)</sup> Valves to be mounted vertical and upright.



### OPTIONS

- Mounting brackets, suffix MB (EGSCE040B001/002/B003 only)
- Optional features to EGSCE040B001/002/B003:
  - Strainer, used suffix D01
  - 1/8" plugged pressure tapplings in the inlet and outlet ports, use suffix D02
  - Strainer and 1/8 plugged pressure tapplings in the inlet and outlet ports, used suffix D03
  - Pressure test nipples for hose connection in the inlet and outlet ports Ø 8 mm, use suffix D04
  - Strainer and Pressure test nipples for hose connection in the inlet and outlet ports Ø 8 mm, use suffix D05
- Connector with visual indication and peak voltage suppression or with cable length of 2 m ([www.asco.com](http://www.asco.com))

### INSTALLATION

- The B001/B002/B003 solenoid valves can be mounted in any position without affecting operation. The A024 solenoid valves must be mounted vertical and upright
- Standard integrated strainers at the inlet port for valve type A024. Strainers are optional for types B001, B002 and B003
- Pipe connection identifier is E = Rp (ISO 7/1)
- Installation/maintenance instructions are included with each valve

### SPARE PARTS KIT

catalogue number	spare parts kit no.	
	~	=
EGSCE040B001/B002/B003	<b>K312984</b>	-
EGSCE040A024	<b>K320011</b>	-

- Not available.

### ORDERING EXAMPLES:

EGSC	E	040	B	001	230V / 50 Hz
EGSC	E	040	A	024	115V / 50 Hz

prefix — pipe thread — basic number — voltage — suffix

### ORDERING EXAMPLES KITS:

K312984
---------

basic number —

### DIMENSIONS (mm), WEIGHT (kg)



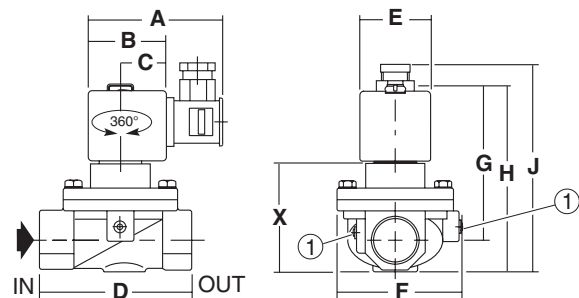
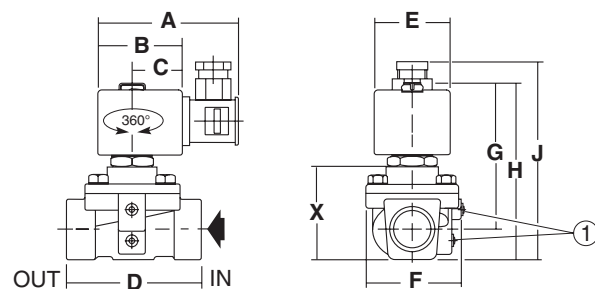
**TYPE 01**  
Prefix "EGSC" Solenoid  
Epoxy moulded  
IEC 335 / ISO 4400  
IP65

EGSCE040B001/B002/B003



**TYPE 02**  
Prefix "EGSC" Solenoid  
Epoxy moulded  
IEC 335 / ISO 4400  
IP65

EGSCE040A024



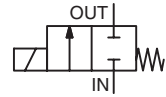
type	prefix option	catalogue number	A	B	C	D	E	F	G	H	J	X	weight <sup>(1)</sup>
01	EGSC	EGSCE040B001/B002	77	50	30	70	45	59	83	98	114	47	0,9
		EGSCE040B003	77	50	30	83	45	59	88	109	125	58	0,7
02	EGSC	EGSCE040A024	86	56	33	108	50	89	112	130	135	55	1,4

<sup>(1)</sup> Inlet and outlet ports pressure tapping Rp 1/8 (standard for type A024 and optional for types B001, B002 and B003)

<sup>(1)</sup> include coil and connector or metal housing.

All leaflets are available on: [www.asco.com](http://www.asco.com)

10 - Combustible Gas & Oil



## FEATURES

- For gas pilot and gas burner control on industrial atmospheric and forced draught burners, also used in kilns and furnaces in process industries
- All valves have been type tested to EN 161 and satisfy the Regulation (EU) 2016/426 on gas appliances  
Certificate of conformity BSI: No. CE 688365
- All valves are for class A group 2 service and cover gas family 1, 2 and 3
- All valves are suitable to withstand 150 mbar back pressure
- Brass bodied, low pressure valves designed to provide maximum flow
- Direct lift valves with resilient soft seating for tight shut-off
- The solenoid valves do not require a minimum operating pressure

## GENERAL

**Differential pressure** See «SPECIFICATIONS» [1 bar = 100 kPa]  
**Response time** 1 s max.

fluids (*)	temperature range (TS)	seal materials (*)
combustible gas	0°C to +60°C	NBR (nitrile)

## MATERIALS IN CONTACT WITH FLUID

(\*) Ensure that the compatibility of the fluids in contact with the materials is verified

<b>Body</b>	Brass
<b>Core tube</b>	Stainless steel
<b>Core and plugnut</b>	Stainless steel
<b>Spring</b>	Stainless steel
<b>Seat</b>	Brass
<b>Seals</b>	NBR
<b>Disc</b>	NBR
<b>Shading coil</b>	Copper

## ELECTRICAL CHARACTERISTICS

**Coil insulation class** F  
**Connector** Spade plug (cable Ø 6-10 mm)  
**Connector specification** ISO 4400 / EN 175301-803, form A  
**Electrical safety** IEC 335  
**Electrical enclosure protection** Moulded IP65 (EN 60529)  
**Standard voltages** AC (-) : 24V - 48V - 115V - 230V / 50 Hz  
(Other voltages and 60 Hz on request)

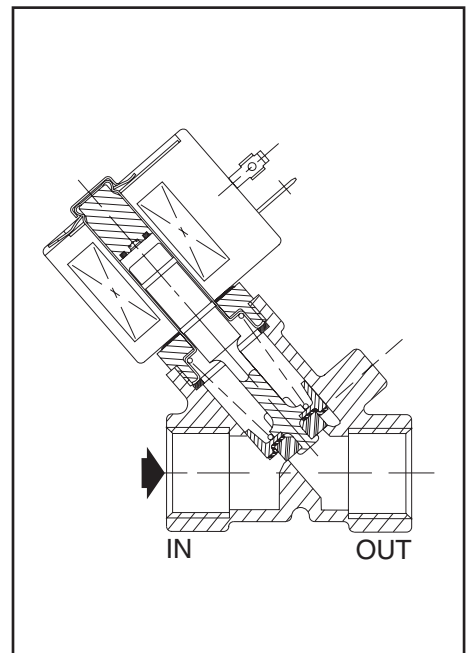
prefix option	power ratings				operator ambient temperature range (TS) (C°)	replacement coil		type <sup>(1)</sup>
	inrush ~	holding ~		hot/cold =		~	=	
	(VA)	(VA)	(W)	(W)		230 V/50 Hz		
EGSC	40	17	6	-	0 to +60	400919-117	-	01

<sup>(1)</sup> Refer to the dimensional drawings on the following page.

## SPECIFICATIONS

pipe size	orifice size	flow <sup>(2)</sup>		operating pressure differential (bar)		power coil (W)		catalogue number	
				min.	max. (PS)				
					gas (*)				
Rp	(mm)	(m³/h)	(l/min)	~	=	~	=	~	
<b>NC - Normally closed</b>									
3/8	9,5	2,19	36,5	0	0,48	-	6	-	EGSCE030B010
1/2	11	3,41	56,8	0	0,14	-	6	-	EGSCE030A016

<sup>(2)</sup> For 2,5 mbar pressure drop air 1,0 s.g. at 1,013 mbar and 15°C.



### OPTIONS

- Mounting brackets, suffix MB
- Integrated strainer at the inlet port, used suffix D30
- Connector with visual indication and peak voltage suppression or with cable length of 2 m ([www.asco.com](http://www.asco.com))

### INSTALLATION

- The solenoid valves can be mounted in any position without affecting operation
- Pipe connection identifier is E = Rp (ISO 7/1)
- Installation/maintenance instructions are included with each valve

### SPARE PARTS KIT

catalogue number	spare parts kit no.	
	~	=
EGSCE030B010	<b>K312981</b>	-
EGSCE030A016	<b>K312980</b>	-

- Not available.

### ORDERING EXAMPLES:


EGSC	E	030	B	010	230V / 50 Hz
EG	E	030	A	016	115V / 50 Hz

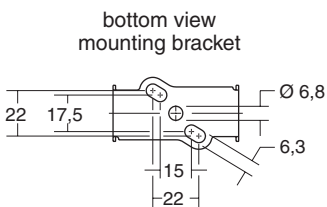
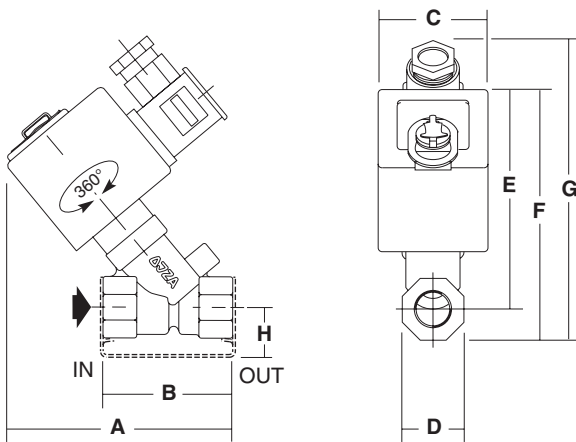
prefix ————  
 pipe thread ————  
 basic number ————  
 voltage ————  
 suffix ————

### ORDERING EXAMPLES KITS:

basic number	K312981
--------------	---------

### DIMENSIONS (mm), WEIGHT (kg)


**TYPE 01**  
 Prefix "EGSC" Solenoid  
 Epoxy moulded  
 IEC 335 / ISO 4400  
 IP65



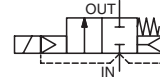
type	prefix option	catalogue number	A	B	C	D	E	F	G	H	weight <sup>(1)</sup>
01	EGSC	EGSCE030B010	75	48	39	22	77	88	122	20	0,5
		EGSCE030A016	87	58	39	28	82	96	130	22	0,5

<sup>(1)</sup> including coil and connector.

All leaflets are available on: [www.asco.com](http://www.asco.com)

12 - Combustible Gas & Oil





## FEATURES

- Valves for the control of gases on industrial atmospheric and forced draught burners
- All valves have been type tested to EN 161 and satisfy the Regulation (EU) 2016/426 on gas appliances  
Certificate of conformity Kiwa Nederland B.V.: No. 0063AR1726
- All valves are for class A group 2 service and cover gas family 1 and 2
- Aluminium bodied valves designed to provide maximum flow
- The valves are for the control of low pressure gases compatible with the materials used
- The solenoid valves have a resilient soft seating for tight shut-off

## GENERAL

**Differential pressure** 0 - 2 bar [1 bar = 100 kPa]  
**Response time** 25 - 120 ms

fluids (*)	temperature range (TS)	seal materials (*)
combustible gas	-15°C to +60°C	NBR (nitrile)

## MATERIALS IN CONTACT WITH FLUID

(\*) Ensure that the compatibility of the fluids in contact with the materials is verified

<b>Body</b>	Aluminium
<b>Core tube</b>	Stainless steel
<b>Core and plugnut</b>	Stainless steel
<b>Springs</b>	Stainless steel
<b>Seat</b>	Aluminium or stainless steel
<b>Seal, diaphragm and discs</b>	NBR
<b>Core guide</b>	POM
<b>Rider rings</b>	PTFE
<b>Shading coil</b>	Copper

## ELECTRICAL CHARACTERISTICS

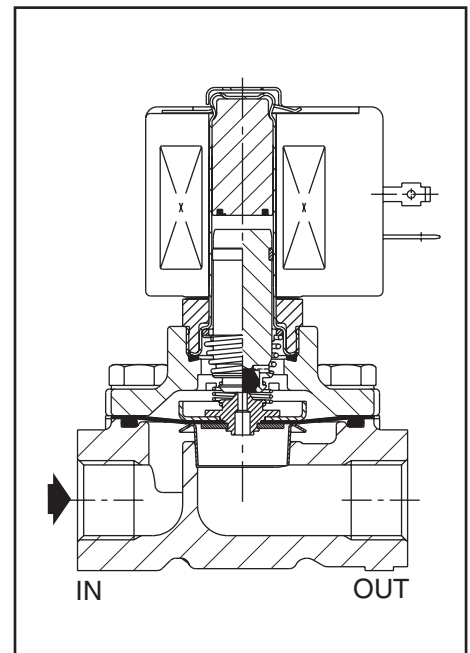
<b>Coil insulation class</b>	F
<b>Connector</b>	Spade plug (cable Ø 6-10 mm)
<b>Connector specification</b>	ISO 4400 / EN 175301-803, form A
<b>Electrical safety</b>	IEC 335
<b>Electrical enclosure protection</b>	Moulded IP65 (EN 60529)
<b>Standard voltages</b>	AC (~) : 24V - 48V - 115V - 230V / 50 Hz

prefix option	power ratings				operator ambient temperature range (TS) (C°)	replacement coil		type <sup>(1)</sup>
	inrush ~	holding ~		~		=		
	(VA)	(VA)	(W)	(W)		230 V/50 Hz	-	
EGSC	55	23	10,5	-	-15 to +60	400425-117	-	01

<sup>(1)</sup> Refer to the dimensional drawings on the following page.

## SPECIFICATIONS

pipe size	orifice size	flow coefficient Kv (m³/h) (l/min)		operating pressure differential (bar)		power coil (W)		catalogue number	
				min.	max. (PS)				
					gas (*)				
Rp	(mm)								
<b>NC - Normally closed</b>									
3/8	19	2,9	48,3	0	2	-	10,5	-	EGSCE215B010
1/2	19	3,8	63,3	0	2	-	10,5	-	EGSCE215B020



### OPTIONS

- Mounting brackets, suffix MB
- Connector with visual indication and peak voltage suppression or with cable length of 2 m ([www.asco.com](http://www.asco.com))

### INSTALLATION

- The solenoid valves can be mounted in any position without affecting operation
- Pipe connection identifier is E = Rp (ISO 7/1)
- Installation/maintenance instructions are included with each valve

### SPARE PARTS KIT

catalogue number	spare parts kit no.		mounting bracket no.
	~	=	
EGSCE215B010	<b>C131447</b>	-	<b>038713-000</b>
EGSCE215B020	<b>C131447</b>	-	<b>038713-000</b>

- Not available.

### ORDERING EXAMPLES:

EGSC	E	215	B	010	230V / 50 Hz
EGSC	E	215	B	020	115V / 50 Hz

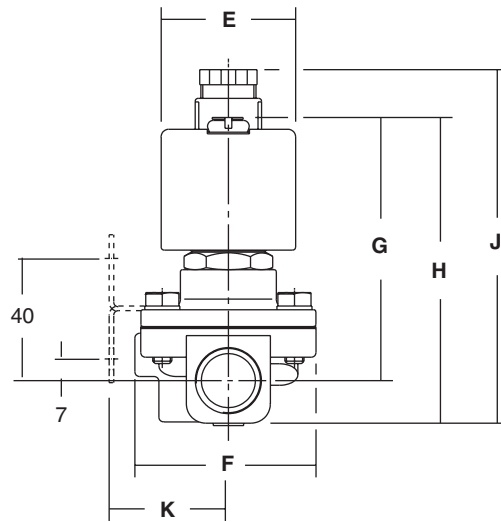
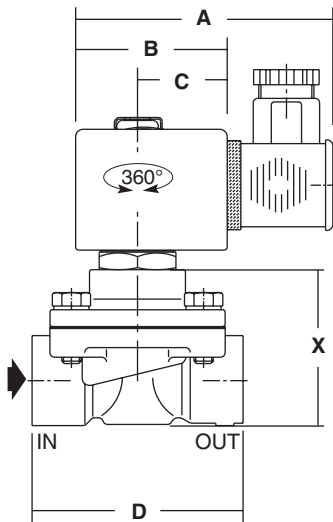
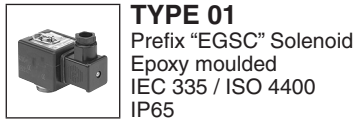
prefix — pipe thread — basic number — voltage — suffix

### ORDERING EXAMPLES KITS:

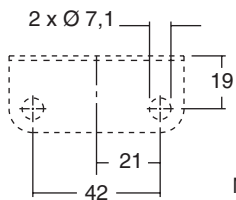
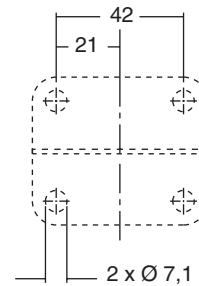
C131447
---------

basic number —

### DIMENSIONS (mm), WEIGHT (kg)



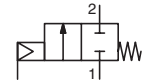
Mounting bracket



Mounting bracket

type	prefix option	A	B	C	D	E	F	G	H	J	K	X	weight <sup>(1)</sup>
01	EGSC	85	50	30	70	45	60	85	100	117	41	50	0,6

<sup>(1)</sup> including coil and connector.



## FEATURES

- Valves for combustible gas, bronze or stainless steel body
- Valves satisfy the Pressure Equipment Directive 2014/68/EU, EN 161 and satisfy the Regulation (EU) 2016/426 on gas appliances  
**EU type examination certificate no.: CERTIGAZ 1312CN5765**  
These valves are certified for operation up to 10 bar, instead of 4 bar as required under Standard EN 161
- All valves are for class A - Groupe 2 service and cover gas family 1 - 2 and 3
- All valves are suitable to withstand 150 mbar back pressure
- High flow due to angled seat design - fluid entry above the disc
- High performance maintenance-free stuffing box

## GENERAL

fluids	temperature range (TS)	disc seal
gas family 1 - 2 - 3	-10°C to +60°C	PTFE

**Differential pressure** 0 to 10 bar [1 bar =100 kPa]  
**Time for closing / for opening** 1 s max. with pilot solenoid valve directly connected to valve operator

**Note: Opening and closing times depend on using pilot valves meeting the requirements in the table below**

**Pilot fluid** Air  
**Max. pilot pressure** 9 bar  
**Min. pilot pressure** 5 bar - see graph following page  
**Pilot fluid temperature** -10°C to +60°C

## CONSTRUCTION

**Valve body** Bronze or stainless steel  
**Stuffing box packing** PTFE chevrons  
**Disc seal** PTFE  
**Operator** Glass fibre filled PA  
**Pilot port insert** Brass

## PILOT SOLENOID VALVES SELECTION

- Must meet European low voltage directive and electromagnetic compatibility requirements
- Non-locking NC 3/2 versions
- Must allow the main valve to close automatically as per standard EN 161

operator diameter (mm)	Kv (m <sup>3</sup> /h) min. <sup>(1)</sup> through pilot valve required to		response time (ms) through pilot valve required to		pilot valve recommended (without manual operator)	
	close the valve	open the valve	close the valve	open the valve	designation	catalogue number
63	0,04	0,04	10	7	356 G1/8 Ø1,2	SCG356B061V

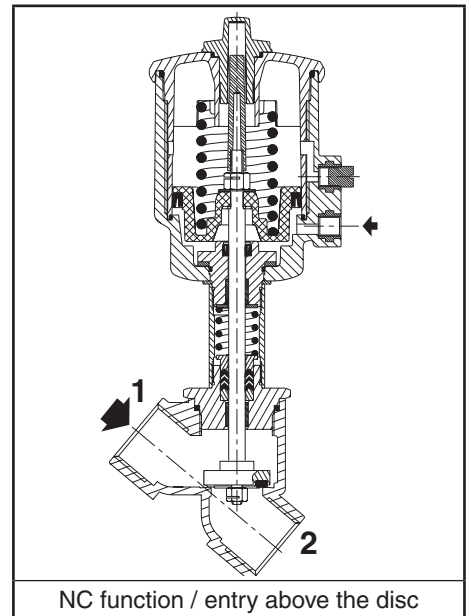
<sup>(1)</sup> Including pipe up to main valve.

## SPECIFICATIONS

piping (ISO 6708)			flow <sup>(4)</sup>		pilot pressure <sup>(5)</sup> (bar)		operating pressure differential (bar)		operator diameter	catalogue number		
pipe size	DN		(m <sup>3</sup> /h)	(l/min)	min.	max.	min.	max.		(mm)	bronze G*	stainless steel
									G*			G*
<b>NC - Normally closed, entry above disc</b>												
1/2	1/2	15	19	320	5	9	0	10	63	EGE290B036	EGE290B079	EG8290B079
3/4	3/4	20	39	650	5	9	0	10	63	EGE290B037	EGE290B080	EG8290B080
1	1	25	54	900	5	9	0	10	63	EGE290B038	EGE290B081	EG8290B081
1 1/4	1 1/4	32	102	1700	5	9	0	10	63	EGE290A039	EGE290A082	EG8290A082
1 1/2	1 1/2	40	144	2400	5	9	0	10	63	EGE290A040	EGE290A083	EG8290A083
2	-	50	180	3000	5	9	0	9	63	EGE290A042	EGE290A085	-

<sup>(4)</sup> For 2,5 mbar pressure drop air 1,0 s.g. at 1,013 mbar and 15°C.

<sup>(5)</sup> Pilot pressure varies with differential pressure. See graph following page.



### INSTALLATION

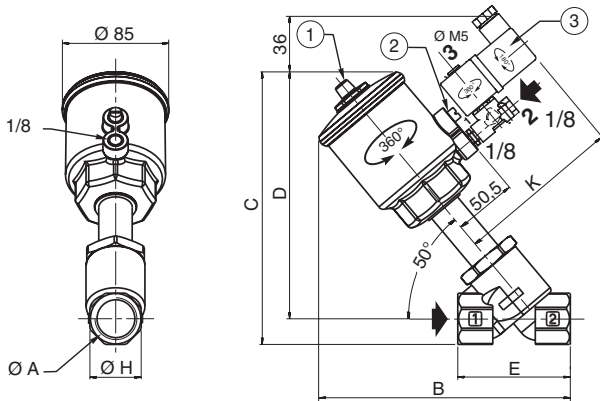
- Install strainer upstream of valve with a mesh size below 1.5 mm through which a 1 mm dia. rod cannot pass
- The valves can be mounted in any position without affecting operation
- Installation/maintenance instructions are included with each valve
- Spare parts kits are available

### DIMENSIONS (mm), WEIGHT (kg)



#### TYPE 01

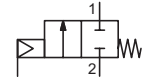
63 mm operator  
Fluid entry:  
above the disc at 1



type	operator diameter	ØA	B	C	D	E	F	H <sup>(1)</sup>	weight	
									<sup>(2)</sup>	<sup>(3)</sup>
01	63 mm	1/2	170	182	169	65	27	125,5	1,2	1,37
		3/4	175	185	170	75	32	125,5	1,3	1,47
		1	179	192	172	90	41	125,5	1,7	1,87
		1 1/4	217	229	204	110	50	125,5	2,1	2,27
		1 1/2	224	245	215	120	60	125,5	2,9	3,07
		2	249	259	224	150	70	125,5	3,7	3,87

- <sup>(1)</sup> Maximum size with pilot.  
<sup>(2)</sup> Weight of the valves without pilot.  
<sup>(3)</sup> Weight of the valves with pilot.

- ① Optical position indicator  
② Filter-plug (non-removable)  
③ Pilot solenoid valve despatched separately: see preceding page



## FEATURES

- Valves for combustible gas, stainless steel body
- Valves satisfy the Pressure Equipment Directive 2014/68/EU, EN 161 and satisfy the Regulation (EU) 2016/426 on gas appliances  
**EU type examination certificate no.: CERTIGAZ 1312CQ6072 (32 mm operator)**  
**EU type examination certificate no.: CERTIGAZ 1312CP5992 (63 mm operator)**
- All valves are for class D - Groupe 2 service and cover gas family 1 - 2 and 3
- High flow due to angled seat design - fluid entry under the disc
- High performance maintenance-free stuffing box

## GENERAL

fluids	temperature range (TS)	disc seal
gas family 1 - 2 - 3	-10°C to +60°C	PTFE

**Differential pressure** 0 to 1 bar [1 bar =100 kPa]  
**Time for closing / for opening** 1 s max. with pilot solenoid valve directly connected to valve operator

**Pilot fluid** Air  
**Max. pilot pressure** 9 bar  
**Min. pilot pressure** 5,5 bar (32 mm dia.) / 3,5 bar (63 mm dia.)  
**Pilot fluid temperature** -10°C to +60°C

## CONSTRUCTION

**Valve body** Stainless steel  
**Stuffing box packing** PTFE chevrons  
**Disc seal** PTFE  
**Operator** Glass fibre filled PA  
**Pilot port insert** Brass

## PILOT SOLENOID VALVES SELECTION

- Must meet European low voltage directive and electromagnetic compatibility requirements
- Non-locking NC 3/2 versions (without manual operator)
- Must allow the main valve to close automatically as per standard EN 161

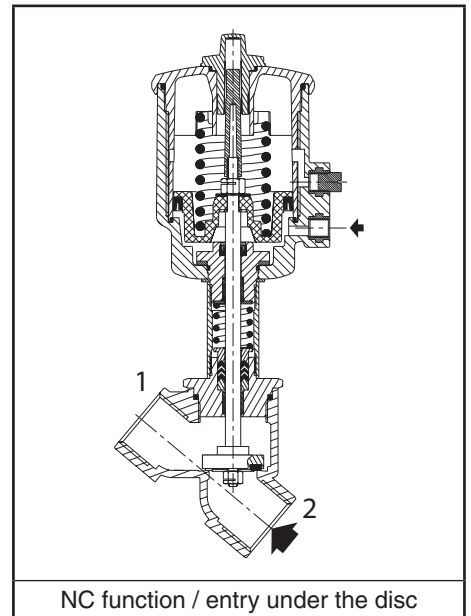
operator diameter (mm)	Kv (m <sup>3</sup> /h) min. <sup>(1)</sup> through pilot valve required to		pilot valve recommended (without manual operator)	
	close the valve	open the valve	description	catalogue number
32/63	0,04	0,04	356 G1/8 Ø1,2	SCG356B061V

<sup>(1)</sup> Including pipe up to main valve.

## SPECIFICATIONS

piping (ISO 6708)		flow coefficient Kv <sup>(2)</sup>		pilot pressure (bar)		operating pressure differential (bar)		operator diameter (mm)	catalogue number	
pipe size G* / NPT	DN	(m <sup>3</sup> /h)	(l/min)	min.	max.	min.	max.		G*	NPT
<b>NC - Normally closed, entry under the disc</b>										
3/8	10	25	410	5,5	9	0	1	32	EGE290A791	EG8290A791
1/2	15	40	660	5,5	9	0	1	32	EGE290A792	EG8290A792
		60	1000	3,5	9	0	1	63	EGE290B045	EG8290B045
3/4	20	75	1250	5,5	9	0	1	32	EGE290A793	EG8290A793
		100	1650	3,5	9	0	1	63	EGE290B047	EG8290B047
1	25	190	3150	3,5	9	0	1	63	EGE290B051	EG8290B051
1 1/4	32	300	5000	3,5	9	0	1	63	EGE290A057	EG8290A057
1 1/2	40	390	6500	3,5	9	0	1	63	EGE290A063	EG8290A063
2	50	420	7500	3,5	7	0	1	63	EGE290A067	EG8290A067

<sup>(2)</sup> For 100 mbar (DN15 to DN32) & 60 mbar (DN40) pressure drop air (reference density air at 1.013 mbar and 15°C).



### OPTIONS (CERTIFIED EN 161)

- Signaling box with mechanical or inductive contacts [SM2/SI2 ([www.asco.com](http://www.asco.com))]
- Signaling box, intrinsically safe inductive contacts NAMUR [SH2 ATEX, ([www.asco.com](http://www.asco.com))]
- Positioner<sup>D</sup> ([www.asco.com](http://www.asco.com))

### INSTALLATION

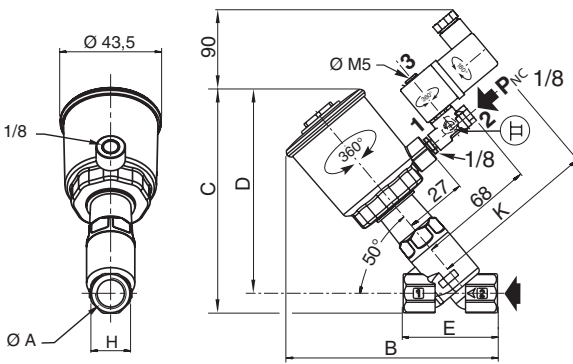
- Install strainer upstream of valve with a mesh size below 1.5 mm through which a 1 mm dia. rod cannot pass
- The valves can be mounted in any position without affecting operation
- Installation/maintenance instructions are included with each valve
- Spare parts kits are available

### DIMENSIONS (mm), WEIGHT (kg)



#### TYPE 01

32 mm operator  
Fluid entry:  
under the disc at 2



type	operator diameter	ØA	B	C	D	E	H	K <sup>(1)</sup>	weight	
									<sup>(2)</sup>	<sup>(3)</sup>
01	32 mm	3/8	92	93	81,5	55	23,5	102	0,18	0,35
		1/2	99	97	81,5	65	28	102	0,23	0,4
		3/4	107	104,5	88	75	30	102	0,28	0,45

<sup>(1)</sup> Maximum size with pilot.

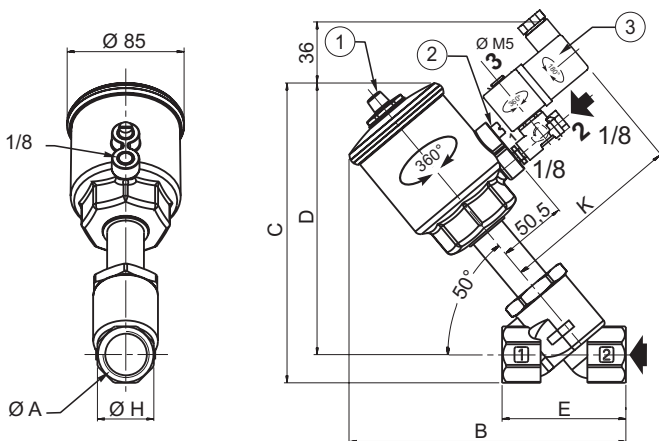
<sup>(2)</sup> Weight of the valves without pilot.

<sup>(3)</sup> Weight of the valves with pilot.



#### TYPE 02

63 mm operator  
Fluid entry:  
under the disc at 2



type	operator diameter	ØA	B	C	D	E	H	K <sup>(1)</sup>	weight	
									<sup>(2)</sup>	<sup>(3)</sup>
02	63 mm	1/2	170	182	169	65	27	125,5	1,2	1,37
		3/4	175	185	170	75	32	125,5	1,3	1,47
		1	179	192	172	90	41	125,5	1,7	1,87
		1 1/4	217	229	204	110	50	125,5	2,1	2,27
		1 1/2	224	245	215	120	60	125,5	2,9	3,07
		2	249	259	224	150	70	125,5	3,7	3,87

① Optical position indicator

② Filter-plug (non-removable)

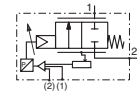
③ Pilot solenoid valve despatched separately:  
see preceding page

<sup>(1)</sup> Maximum size with pilot.

<sup>(2)</sup> Weight of the valves without pilot.

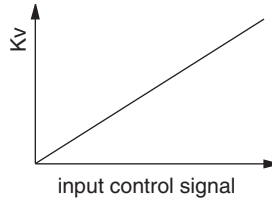
<sup>(3)</sup> Weight of the valves with pilot.

All leaflets are available on: [www.asco.com](http://www.asco.com)



## FEATURES

- Precise, quick-acting and robust valve suitable for use in outside industrial environments
- Exceptional long service life
- Variable flow proportional to the control signal
- Real-time control
- Ready-to-use valve
- The positioner can be directly connected to an external sensor (double loop control)
- Power saving function and no air consumption when position is reached
- Manual valve operator
- LED indicators for valve status display
- Valves satisfy the Pressure Equipment Directive 2014/68/EU, EN 161 and satisfy the Regulation (EU) 2016/426 on gas appliances  
**EU type examination certificate no.: CERTIGAZ 1312CP5992**

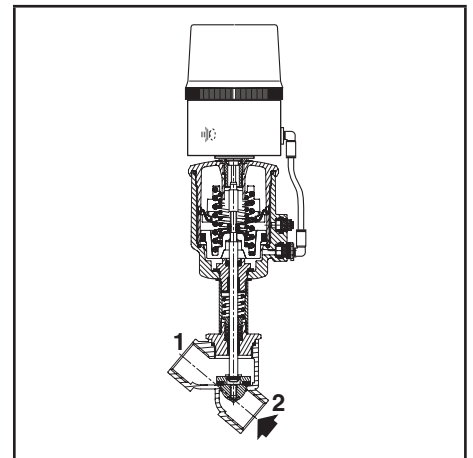


## GENERAL

<b>Differential pressure</b>	1 bar [1 bar = 100 kPa]
<b>Maximum allowable pressure</b>	16 bar
<b>Ambient temperature range</b>	0°C to +50°C
<b>Maximum viscosity</b>	600 cSt (mm <sup>2</sup> /s)
<b>Pilot fluid</b>	Air or inert gas, filtered 25 µm, unlubricated, condensate-free and water-free (observe the pressure dew point)
<b>Pilot pressure</b>	5 to 8 bar
<b>Pilot fluid temperature</b>	0°C to +50°C

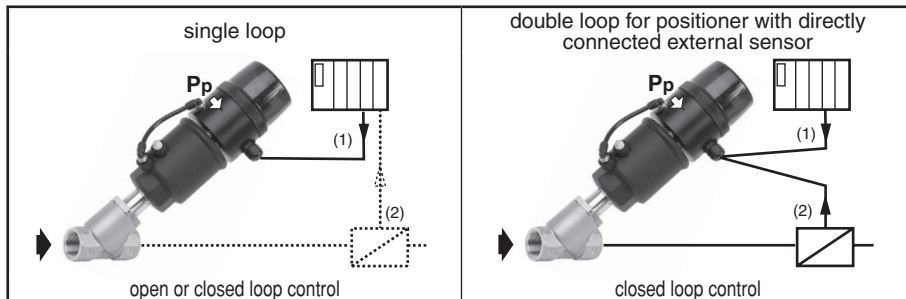
## ELECTRICAL CHARACTERISTICS

<b>Setpoint reached output</b>	ON/OFF, 24 V PNP / max. 500 mA
<b>Analog position feedback signal</b>	0-10 V / 4-20 mA
<b>Analog setpoint</b>	0-10V (R <sub>in</sub> = 200 kΩ); 4-20 mA (R <sub>in</sub> = 250 Ω)
<b>Nominal supply voltage</b>	24 V DC ± 10%, max. ripple 10%
<b>Power</b>	7,6 W (3,6 W, setpoint reached)
<b>Connection</b>	Screw terminals, cable gland (cable Ø 5-10 mm) or connection M12 (CNOMO E03.62.520.N)
<b>Degree of protection</b>	IP66 (EN 60529)
<b>Electromagnetic compatibility</b>	EMC 2004/108/EC
<b>Regulation characteristics</b>	Hysteresis < 2% Accuracy < 2% Repeatability < 1%



## CONSTRUCTION

<b>Valve disc (2/2)</b>	Profiled disc, stainless steel and PTFE
<b>Positioner body</b>	Aluminium
<b>Cover</b>	PA 12, transparent



(1) Setpoint  
(2) Value measured by the process sensor

(3) The actuator exhaust air is used to ventilate the electronics housing.

**SPECIFICATIONS**

pipe size (DN)	orifice size (mm)	pilot pressure (bar)		operator diameter (mm)	flow (Kv), opening of proportional valve		catalogue number		suffix for proportional valve and positioner / delivered assembled fail close / 2 way																			
		min.	max.		(m³/h)	(l/min)	(G*)	(NPT)	analog setpoint																			
									0 - 10 V DC				4 - 20 mA															
		single loop			double loop		single loop		double loop		cable gland		M12		cable gland		M12											
<b>NC - Normally closed, entry under the disc</b>																												
1/2 (15)	15	5	8	63	4,6	77	<b>EGE290B045</b>	<b>EG8290B045</b>																				
3/4 (20)	20				7,1	118	<b>EGE290B047</b>	<b>EG8290B047</b>																				
1 (25)	25				15	250	<b>EGE290B051</b>	<b>EG8290B051</b>																				
1 1/4 (32)	32				21	350	<b>EGE290B057</b>	<b>EG8290B057</b>	<b>PDB66</b>	<b>PDB70</b>	<b>PDB72</b>	<b>PDB74</b>	<b>PDB67</b>	<b>PDB71</b>	<b>PDB73</b>	<b>PDB75</b>												
1 1/2 (40)	40				29	483	<b>EGE290B063</b>	<b>EG8290B063</b>																				
2 (50)	50				40	667	<b>EGE290B067</b>	<b>EG8290B067</b>																				

Order example: EGE290B045PDB66

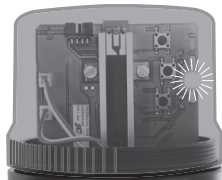
**OPTIONS AND ACCESSORIES**

• - 5 pins, with screw terminals,	Female M12 connector:	straight
- Supply cable 5 m,	5 x 0,25 mm²,	catalogue number: <b>88100256</b>
- Supply cable 5 m,	6 x 0,5 mm²,	catalogue number: <b>88130212</b>
- Supply cable 10 m,	6 x 0,5 mm²,	catalogue number: <b>88100728</b>
		catalogue number: <b>88100730</b>

**INSTALLATION**

- Pilot port G 1/8 according to ISO 228/1
- Compatible with ASTM 1, 2 and 3 oils
- Installation/maintenance instructions are included with each proportional valve
- LED indicators for operating status display and diagnostic functions (Unit can be rotated through 360° around the centreline of the valve operator)

status	hold position
	valve OPEN
	valve CLOSED
	valve moves to open
	valve moves to close
	positioner in initialisation mode
diagnostics	positioner in manual mode
	setpoint > 20,5 mA / 10,25 V
	setpoint < 3,5 mA
	positioner not initialised
	component error



Electrical connection:

**Positioner<sup>D</sup>, single loop**  
screw terminals



1	+ 24 V DC, supply	1
2	GND supply	3
3	+ setpoint (0-10 V or 4-20 mA)	2
4	GND setpoint	3
6	disc position feedback	4
7	+ 24V ON/OFF output	5

**Positioner<sup>D</sup>, double loop**  
screw terminals



1	+ 24 V DC, supply	1
2	GND supply	3
3	+ setpoint (0-10 V or 4-20 mA)	2
4	GND setpoint	3
5	external sensor input	4
7	+ 24V ON/OFF output	5



**SPARE PARTS KITS**

pipe size (DN)	spare parts kit no.
	stainless steel (E290)
<b>Valve disc seals</b>	
1/2 (15)	C131204
3/4 (20)	C131205
1 (25)	C131206
1 1/4 (32)	C131207
1 1/2 (40)	C131208
2 (50)	C131209

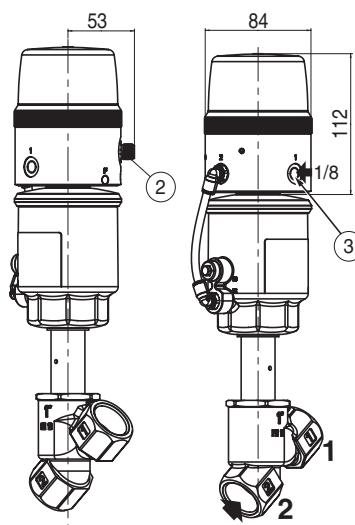
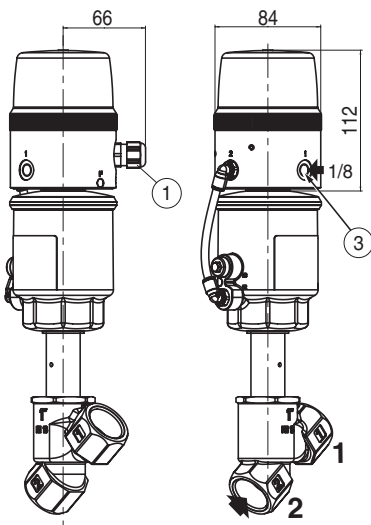
**DIMENSIONS (mm), WEIGHT (kg)**



**TYPE 01**  
Enclosure with cable gland  
63 mm operator  
Fluid entry:  
under the disc at 2



**TYPE 02**  
Enclosure with M12 connection  
63 mm operator  
Fluid entry:  
under the disc at 2



- ① M16 x 1,5 mm cable gland (cable Ø 5-10 mm)
- ② M12 connection
- ③ G 1/8 pilot connection

Weight of positioner without valve: 0,3 kg

