

337F Tank Bottom Valve

3-Piece Tube Full Port
ISO 5211 Direct Mount Pad



For High Purity
Applications

Pharmaceutical

Bio-Technology

Fine Chemical

Food & Beverage

Semiconductor

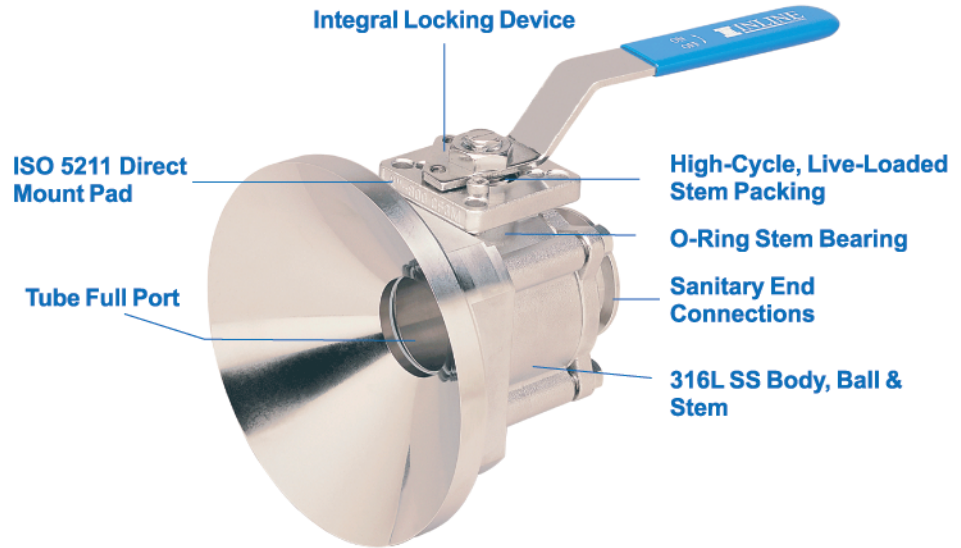
The 337F Sanitary Tank Bottom Valve

The 337F Sanitary tank bottom ball valve is designed to meet your vessel requirements.

The tank pad will accommodate most vessel designs.

The full port tube ID design improves flow and eliminates pooling.

The unique ISO 5211 direct mount pad allows mounting of most actuators without brackets and couplings.



Standard Features and Benefits

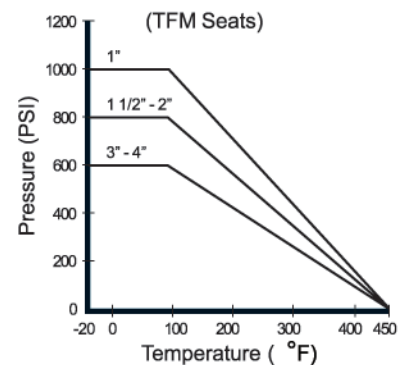
- **Tube Full Port Design**
True tube full port construction eliminates pooling of process media and improves flow characteristics for greater efficiency
- **Made of Corrosion-Resistant 316L SS (A351 Gr. CF3M)**
One valve can be used for many service conditions
- **ISO 5211 Direct Mount Pad**
No bracket or drive coupling needed for automation
Improves actuator positioning and prevents side-loading
Eliminates exposed moving parts for safer work environment
- **High-Cycle, Live-Loaded Stem Packing**
Ensures tight seal
Extends service life
- **O-Ring Stem Bearing**
Maintains stem alignment
Reduces packing side-loading and wear
Enhances stem seal
- **Blow-Out-Proof Stem**
Stem is bottom loaded to prevent removal when valve is in service
- **3-Piece Swing-in-Place Construction**
Easy to repair in service line
- **Locking Device**
Enables plant personnel to secure valve in open or closed position when manually operated
- **Investment Cast**
Improves dimensional control and reduces porosity
- **Internal Surfaces Roll Burnished Prior To Final Polish**
Reduces surface porosity
Improves surface finish

Options

- BPE compliant extended tube ends
- Clamp, tube butt weld, extended tube butt weld end
- Polish and Electro-polish to customer's specification
- Cavity filled seats
- True Drain CIP



337F Tank Bottom Pressure / Temperature Chart

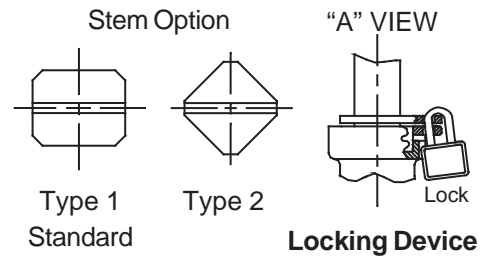
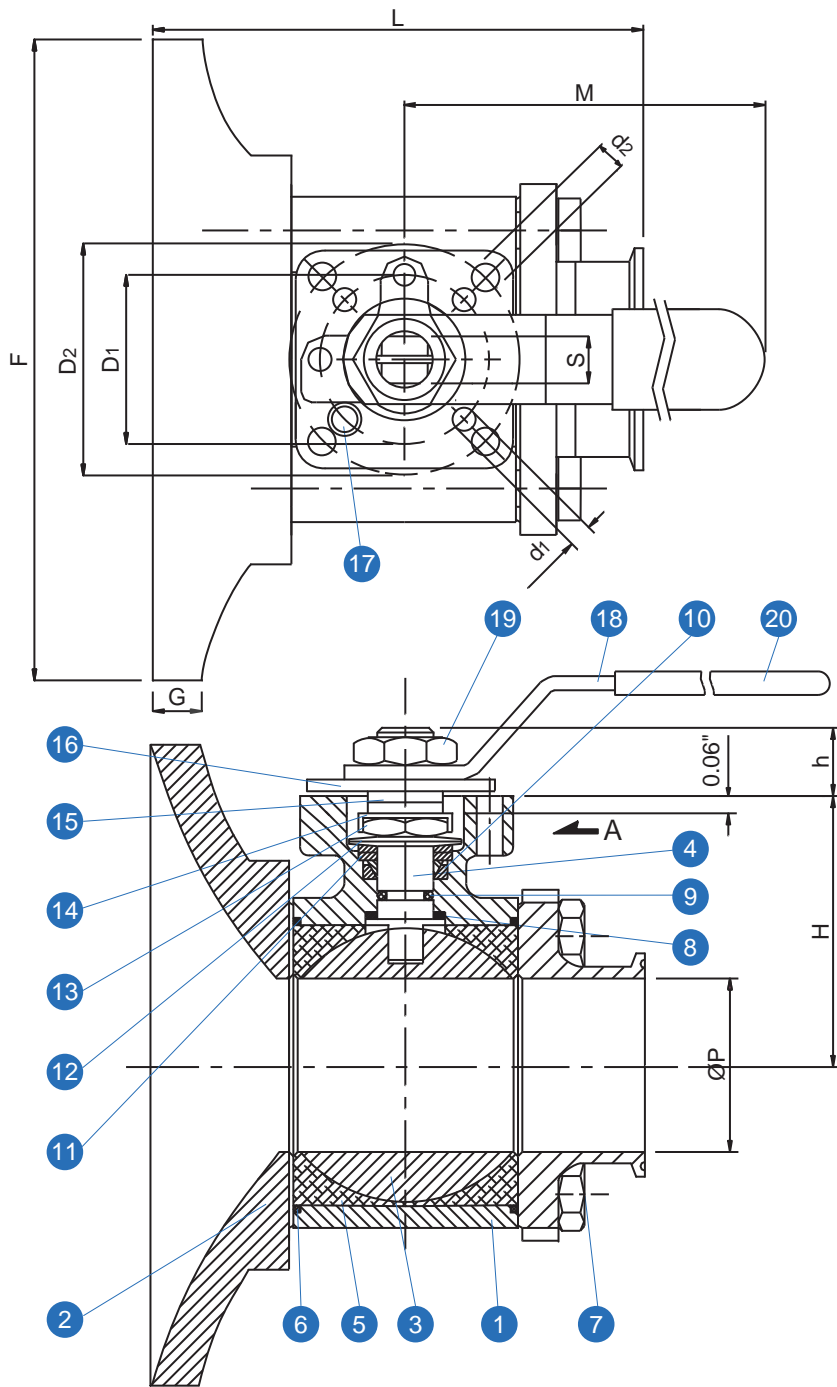


Operating Conditions

- Temperature Range (TFM Seats): -20°F - 450°F
- Maximum Pressure (TFM Seats): 1000 PSI (1"), 800 PSI (1 1/2" - 2"), 600 PSI (3" - 4")

Specifications

- Valves inspected and tested to API 598 and meet ANSI/FCI70-2 Class VI and MSS SP-61 seat leakage requirements
- All materials comply with applicable ASTM material specifications, and FDA, USDA and ASME BPE 2002 material requirements
- All soft wetted parts comply with FDA CFR Title 21 Part 177
- Material test reports available upon request



Valve Components			
#	Part Name	Material	Qty.
1	Body	A351 Gr. CF3M	1
2	Tank Bottom End	A351 Gr. CF3M	1
3	Ball	316SS	1
4	Stem	316SS	1
5	Seat	TFM	2
6	Body Seal	TFM	2
7	Body Bolt	304SS	4*
8	Thrust Washer	PEEK	1
9	Stem O-Ring	Viton 90	1
10	Stem Packing Set	TFM	1
11	Packing Gland	304SS	2
12	Belleveille Washer	301SS	2
13	Gland Nut	304SS	1
14	Gland Nut Lock Washer	304SS	1
15	Stem Spacer	304SS	2
16	Stop Plate	304SS	1
17	Stop Pin	304SS	1
18	Handle	304SS	1
19	Handle Nut	304SS	1
20	Handle Cover	Vinyl	1

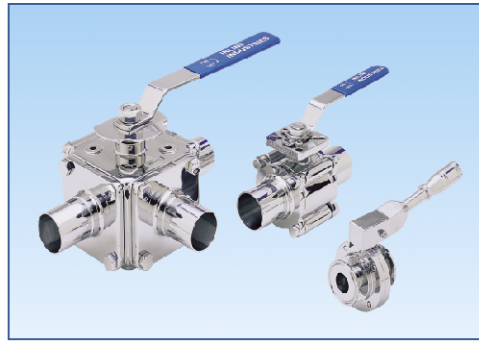
* 4" Valve: 6 Nuts, Washers and Bolts

Dimensions (Inches)														
Size	F	G	L	P	M	H	h	D1	d1	D2	d2	S	ISO 5211 Pattern	Wt. (lbs)
1	3.75	0.53	3.24	0.87	5.91	1.89	0.51	1.65	0.22	1.97	0.27	0.43	F04 / F05*	4.95
1 1/2	5.50	0.60	4.26	1.37	7.87	2.36	0.63	1.97	0.28	2.76	0.35	0.55	F05 / F07*	9.25
2	7.00	0.60	4.99	1.87	7.87	2.74	0.63	1.97	0.28	2.76	0.35	0.55	F05 / F07*	14.10
3	10.00	0.85	7.60	2.87	11.61	3.86	0.79	2.76	0.35	4.02	0.44	0.67	F07 / F10*	42.70
4	11.50	0.85	9.06	3.83	13.39	5.16	0.96	4.02	0.44	4.92	0.53	0.87	F10 / F12*	67.10

* Direct mount with stem adapter bushing



Oxygen Cleaning & Electropolishing



Sanitary Products



Automation Systems

337F Tank Bottom Ordering Information

Example: 2" 3-piece Tube Full Port Tank Bottom Valve, 316L Body and Trim, TFM Seats and Seals, Tank by Clamp Ends, 20 Ra Mechanical Polish

337F	D	3	3	3	3	M	M	KC	2	S	&OPT-SFV2	CF	
Valve Series	Valve Size	Body Material	End Material	Ball Material	Stem Material	Seat	Seal	End Connection	Port	Ball Config.	Surface Finish	Special Config.	
337F - Full Port	5 7 A C D E F G	1/2" 3/4" 1" 1 1/2" 2" 2 1/2" 3" 4"	3 - A351 Gr. CF3M (316L)	3 - A351 Gr. CF3M (316L)	3 - A351 Gr. CF3M (316L)	3 - A351 Gr. CF3M (316L)	M - TFM T - PTFE J - TFM Cavity Filled K - PTFE Cavity Filled	M - TFM T - PTFE	C - Clamp O - Tube O.D. Butt Weld E - Extended Tube O.D. Butt Weld P - Compression T - NPT K - Tank Bottom A - ANSI 150# (316) R - I-Line L - Long Clamp	2 - 2 Way	S - Straight Port	&OPT-SFV1 - 20 Ra Max, Mech. Polish &OPT-SFV2 - 25 Ra Max, Mech. Polish &OPT-SFV3 - 30 Ra Max, Mech. Polish &OPT-SFV4 - 15 Ra Max, Electropolish &OPT-SFV5 - 20 Ra Max, Electropolish &OPT-SFV6 - 25 Ra Max, Electropolish	00 - None CP - Clean in Place Body

Due to continuous product development, Information may change without notice.



INLINE INDUSTRIES, INC.

9056 Garvey Avenue
Rosemead, CA 91770
Tel: (626) 813-6188
Fax: (626) 813-6186
www.ballvalve.com
info@ballvalve.com

Distributed by: