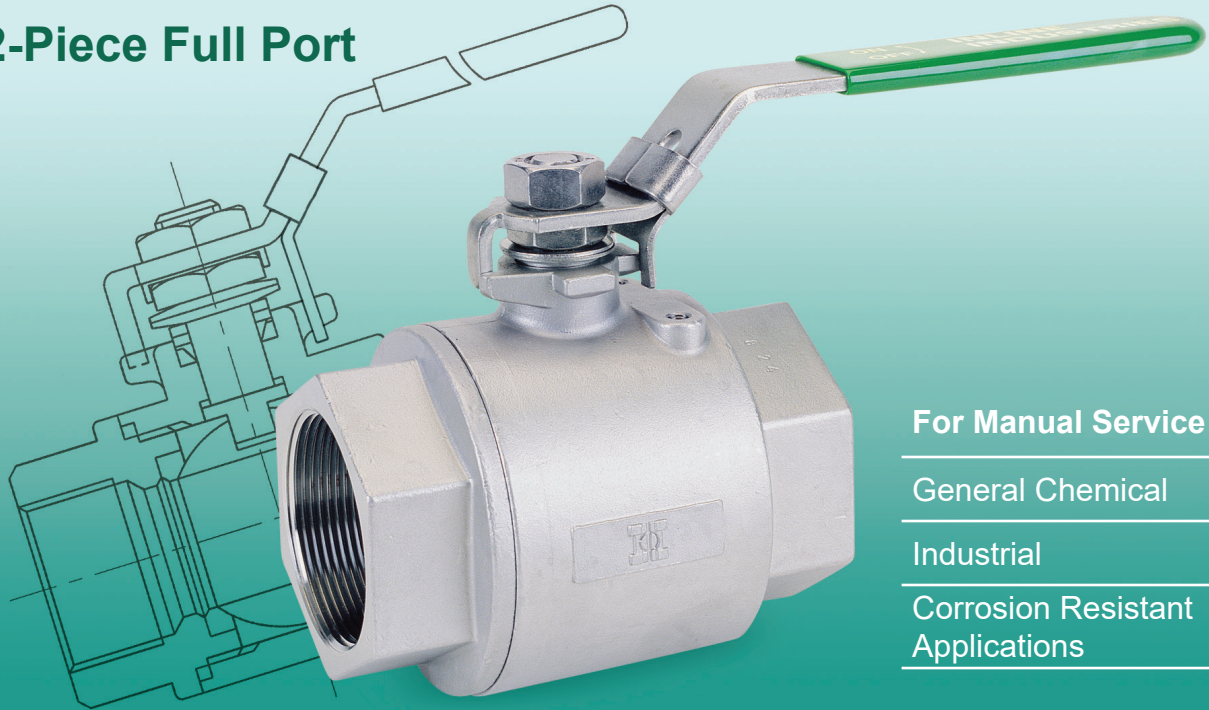


202F Ball Valve

2-Piece Full Port



For Manual Service

General Chemical

Industrial

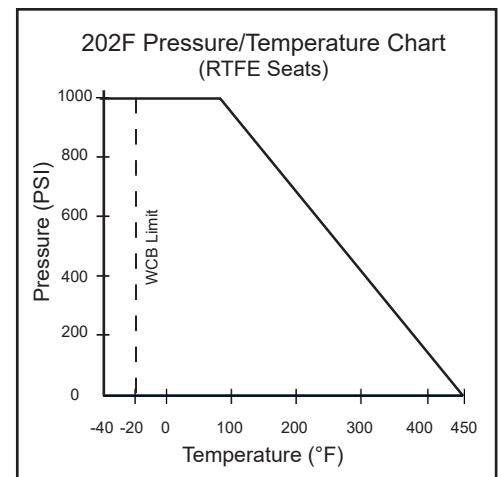
Corrosion Resistant
Applications

Standard Features and Benefits

- **Economical 2-Piece Full Port Design**
Improves flow characteristics for greater process efficiencies
- **Blow-Out-Proof Stem**
Bottom loaded to prevent removal during operation
- **High-Cycle, Live-Loaded Stem Packing**
Provides constant load on stem seal and extends service life
- **Locking Device**
Enables plant personnel to secure valve in open or closed position when manually operated
- **Corrosion Resistant**
Made of 316 stainless steel (A351 Gr. CF8M) for superior chemical resistance and longer service life
- **Investment Cast**
Improves dimensional control and reduces porosity
- **Standard Valve Suitable for 150 psi Saturated Steam**
- **Castings to NACE MR0175/ISO 15156**

Options

- **Oval Handle**
- **Reverse Handle**
- **Air Safety Exhaust Valve (ASEV)**
- **Material Test Reports Available Upon Request**



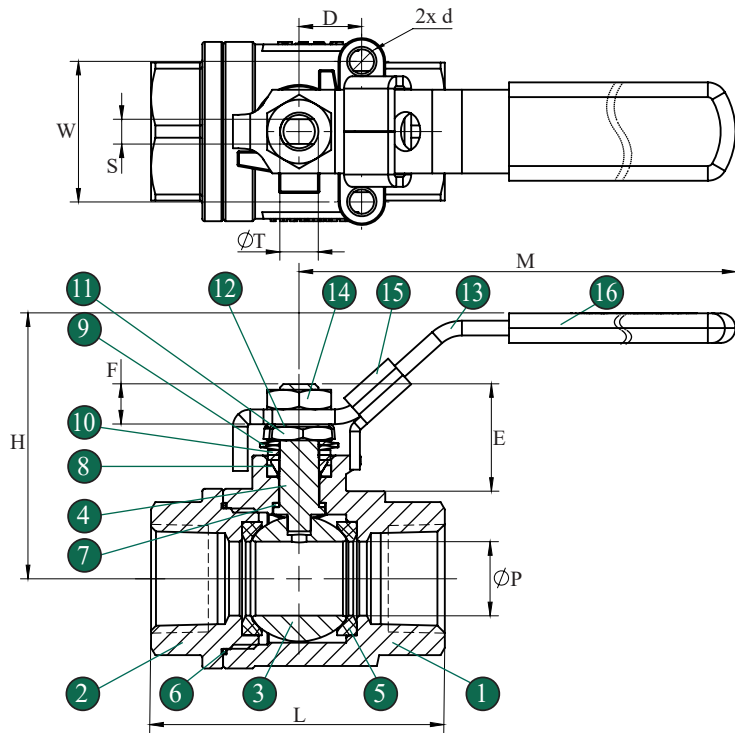
Operating Conditions

- **Temperature Range (RTFE):**
-40°F ~ 450°F
- **Maximum Pressure (RTFE):**
1000 PSI WOG (1/4" - 2")

Specifications

- All valves designed and pressure tested in accordance with ANSI/ASME B16.34, API 598 and MSS-SP-110
- NPT to ASME B1.20.1

Valve Components			
No.	Part Name	Material	Qty
1	Body	CF8M	1
2	End Cap	CF8M	1
3	Ball	316 SS	1
4	Stem	316 SS	1
5	Seat	RTFE (15% G.F.)	2
6	Body Seal	PTFE	1
7	Thrust Washer	RTFE (15% C.F.)	1
8	Stem Packing Set	PTFE	1
9	Belleville Washer	301 SS	2
10	Packing Gland	304 SS	2
11	Gland Nut	304 SS	1
12	Gland Nut Lock Washer	304 SS	1
13	Handle	304 SS	1
14	Handle Nut	304 SS	1
15	Handle Lock	304 SS	1
16	Handle Cover	Vinyl	1



Dimensions (Inches)													
Size	L	P	M	H	E	F	S	T	W	D	d	Cv	Weight (lbs)
1/4"	2.10	0.50	4.4	2.1	0.85	0.31	0.20	0.31	1.12	0.50	M5	5.4	0.7
3/8"	2.10	0.50	4.4	2.1	0.85	0.31	0.20	0.31	1.12	0.50	M5	11.6	0.7
1/2"	2.35	0.59	4.4	2.1	0.86	0.32	0.20	0.31	1.12	0.50	M5	16.7	0.9
3/4"	2.92	0.79	5.2	2.5	0.94	0.31	0.26	0.38	1.38	0.87	M5	29.7	1.7
1"	3.27	0.98	5.7	2.8	1.17	0.38	0.31	0.46	1.38	0.87	M5	47.8	2.6
1 1/4"	3.82	1.25	5.7	3.1	1.14	0.32	0.31	0.46	1.50	0.94	M5	73.2	3.5
1 1/2"	4.29	1.50	7.5	3.9	1.42	0.41	0.38	0.54	1.50	0.94	M6	109	5.5
2"	5.07	2.00	7.5	4.2	1.45	0.46	0.38	0.54	1.50	0.94	M6	200	8.8

Cv value represents flow data to ISA 75.01.01 - 2007

202F Ordering Information

Example: 2" Full Port Ball Valve with Lever Handle with Locking Device, 316 SS Body and Trim, RTFE (15% G.F.) Seats and PTFE Seals, NPT Ends

Valve Series	Valve Size	Body Material	End Material*	Ball Material	Stem Material	Seat	Seal	End Connection	Port	Ball Configuration	
202F - Full Port	2	1/4"	6 - A351 Gr.	6 - A351 Gr.	6 - 316 SS	6 - 316 SS	R - RTFE (15% G.F.) C - RTFE (15% C.F.) M - TFM T - PTFE	T - PTFE F - 50% 316 SS Filled PTFE M - TFM	T - NPT	2 - 2 Way	S - Straight Port 7 - ASEV Ball
	3	3/8"	CF8M (316)	CF8M (316)							
	5	1/2"	2 - A216 Gr.	2 - A216 Gr.							
	7	3/4"	WCB (CS)	WCB (CS)							
	A	1"									
	B	1 1/4"									
	C	1 1/2"									
	D	2"									

*End material and body material must be the same.

Due to continuous product development, information may change without notice.



INLINE INDUSTRIES, INC.

9056 Garvey Avenue

Rosemead, CA 91770

Tel: (800) 568-8998

(626) 813-6188

Fax: (626) 813-6186

www.ballvalve.com

info@ballvalve.com

Distributed by: