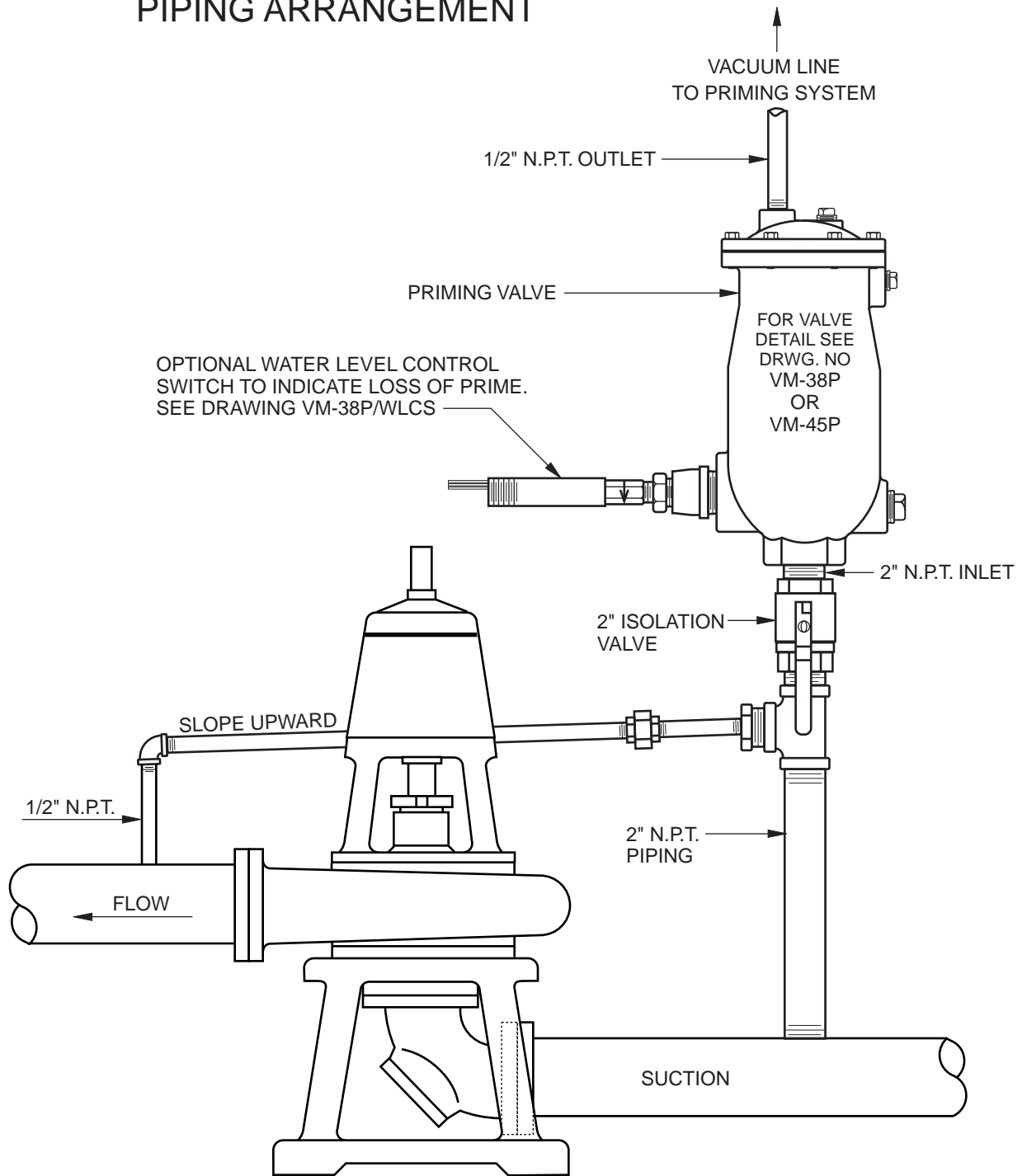


VACUUM PRIMING VALVE RECOMMENDED PIPING ARRANGEMENT



THE PURPOSE OF THE VACUUM PRIMING VALVE IS TO AUTOMATICALLY ALLOW AIR TO BE DRAWN OUT OF THE PUMPING SYSTEM UNTIL THE PUMP FILLS WITH WATER.

TYPICAL VACUUM PRIMING VALVE PIPING ARRANGEMENT

DATE 4-4-08

VAL-MATIC[®] VALVE AND MANUFACTURING CORP.

DRWG. NO.
VM-3004