

# SERIES 120 SAFETY VALVES

Our Series 120 air/gas and steam safety valve is designed for safety and pressure relief for light and medium capacity applications where a smaller sized valve is needed. The series 120 valves have a higher capacity than our Series 130. Many are manufactured to meet specific field and OEM applications.

## SERIES 120

Top outlet, open lift lever.

Temperatures -20°F (-29°C) to 406°F (208°C)

ASME and National Board Certified for Section VIII as well as CRN Certifications.

## SERIES 121

Top outlet, lift lever and a cap.

Temperatures -20°F (-29°C) to 406°F (208°C)

ASME and National Board Certified for Section VIII as well as CRN Certifications.

## SERIES 125

Side outlet bonnet with open lift lever.

Temperatures -20°F (-29°C) to 406°F (208°C)

ASME and National Board Certified for Section VIII as well as CRN Certifications.

## SERIES 126

Side outlet bonnet, with a lift lever and a cap.

Temperatures -20°F (-29°C) to 406°F (208°C)

ASME and National Board Certified for Section VIII as well as CRN Certifications.

**Usages:** High quality smaller valve, Compressors, Receivers, Gas lines, Steam lines, Air and Gas receivers, Piping system/tanks, Steam cleaners, sterilizers, Autoclaves

- Features:**
- Fixed blow-down
  - Brass/bronze construction
  - Metal-to-metal seating
  - Rugged, yet economical
  - Stainless steel springs
  - Factory set and sealed
  - Excellent seat tightness

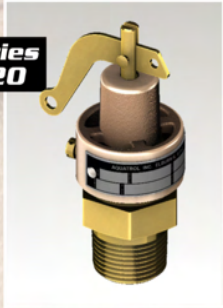
- Options:**
- Stainless body and disk
  - Polishing and chrome plating
  - Variety of inlets/outlets and lift levers or pull ring
  - Many configurations (not shown)
  - O2 Cleaning
  - BSPT connections

Set pressures below 15 psig (1.03 barg) and above 200 psig (13.8 barg) are NON-Code.

Maximum back-pressure is 10% of set pressure or 50 psig (3.45 barg) whichever is less.

Lifting Device as required by the ASME,  
ASME Section VIII: UG136(3)

Each pressure relief valve on air, water at the valve inlet that exceeds 140°F (60°C), excluding over-pressure or relief events, or steam service shall have a substantial lifting device which when activated will release the seating force on the disc when the pressure relief valve is subjected to a pressure of at least 75% of the set pressure of the valve.

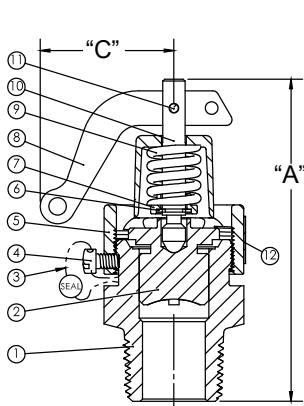


# SERIES 120 INFORMATION

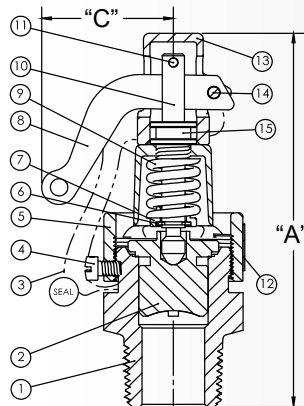
## SERIES 120 THRU 126 PART NUMBERS

121	B	A	1	M	1	K	1	125
SERIES/DESCRIPTION	INLET/OUTLET	METALS	CONNECTION	SEATING	CAP	SERVICE	OPTIONS	SET
120 Top Outlet w/Lift Lever	A- 1/2" B- 3/4"	A- Brass Bronze	1- NPT MxF 2- NPT FxF	M- Metal	1- Lift lever H- Hood and Lift Lever	K- ASME VIII Air/gas L- ASME VIII Steam N- Non-code Air/gas T- Non-code Steam	1- None 2- Chrome Plating 3- O2 Cleaned	Ex.125
121 Top Outlet Hood And Lift Lever	C- 1" *D- 1"	B- 316 SS Bronze	3- BSPT MxF 4- BSPT FxF					
125 Side Outlet w/Lift Lever	A- 1/2" x 3/4" B- 3/4" x 3/4"							
126 Side Outlet Hood And Lift Lever	C- 1" x 3/4" *D- 1" x 1"							

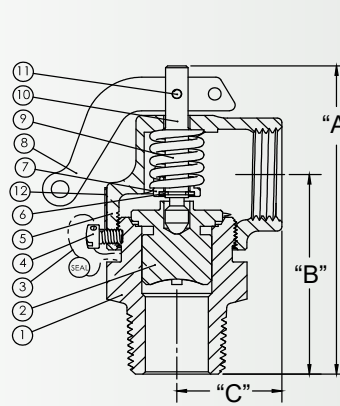
\* Inlet/Outlet 'D' are non-code valves



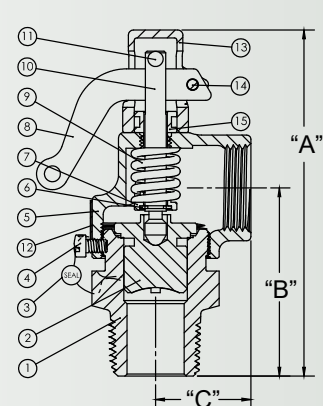
Series 120



Series 121



Series 125



Series 126

SERIES	INLET SIZES	METALS	MIN. TEMP °F (°C)	MAX. TEMP °F (°C)	MAX PRESSURE <sup>1,2</sup> psig (barg)	SERVICES	CERTIFICATIONS
Series 120	1/2", 3/4", 1"	Brass/Bronze	-20° (-29°)	406° (208°)	200 (13.8)	Air / Gas / Steam	ASME VIII, CRN
	1/2", 3/4", 1"	Stainless/Bronze	-20° (-29°)	425° (218°)	200 (13.8)	Air / Gas / Steam	ASME VIII, CRN

### SERIES 120 CAPACITY AIR - SCFM

SLOPE	SET psig	10	15	20	25	40	50	75	100	125	150	175	200
1.037	SCFM	29	34	39	44	61	72	101	129	158	186	215	243

### SERIES 120 THRU 126

ITEM	DESCRIPTION	BRASS OPTION	STAINLESS OPTION
1	Body	B16 Brass	SA479-316 SS
2	Disc	B62-C83600	SA479-316 SS
3	Seal Wire	Steel/Lead	Steel/Lead
4	Lock Screw	B16 Brass	B16 Brass
5	Bonnet	B584-C84400	B584-C84400
6	Support	Stainless	Stainless
7	Spring Plate	B16 Brass	B16 Brass
8	Lift Lever	Plated Steel	Plated Steel
9	Spring	302 SS	302 SS
10	Spring Post	B16 Brass	B16 Brass
11	Lift Pin	B16 Brass	B16 Brass
12	Nameplate	Stainless	Stainless
13	Hood	B584-C84400	B584-C84400
14	Lever Pin	B16 Brass	B16 Brass
15	Hood Mount	B16 Brass	B16 Brass

### SERIES 120 CAPACITY STEAM - Lbs/hr

SLOPE	SET psig	10	15	20	25	40	50	75	100	125	150	175	200
2.910	Lbs./Hr	81	95	110	124	171	203	283	363	443	523	603	683

Set pressures not limited to this chart. Specify when ordering.

Capacities are at 3 psig or 10% (whichever is greater) over set pressure

### SERIES 120 THRU 126

SERIES	INLET	OUTLET	SEAT	DIMENSIONS - in (mm)			MAX SET psig (barg)	WEIGHT Lbs. (Kg)
				A	B	C		
120	1/2"-3/4"-1"	Top	3/4"	3-1/2" (89)	-	1-1/2" (38)	200 (13.8)	0.5 (0.2)
120*	1"	Top	1"	3-3/4" (95)	-	1-1/2" (38)	200 (13.8)	1.1 (0.5)
121	1/2"-3/4"-1"	Top	3/4"	4-1/8" (105)	-	1-3/8" (35)	200 (13.8)	0.8 (0.3)
121*	1"	Top	1"	4-1/2" (114)	-	1-3/8" (35)	200 (13.8)	1.3 (0.6)
125	1/2"-3/4"-1"	3/4"	3/4"	3-1/2" (89)	2-1/4" (57)	1-1/8" (29)	200 (13.8)	0.5 (0.2)
125*	1"	1"	1"	3-3/4" (95)	2-5/8" (67)	1-3/8" (35)	200 (13.8)	1.1 (0.5)
126	1/2"-3/4"-1"	3/4"	3/4"	4-1/8" (105)	2-1/4" (57)	1-1/8" (29)	200 (13.8)	0.6 (0.3)
126*	1"	1"	1"	4-1/2" (114)	2-5/8" (67)	1-3/8" (35)	200 (13.8)	1.1 (0.5)

\* 1" seat is non-code