

## Features

- Welded core tube provides higher pressure ratings
- Reliable, proven design with high flows
- Small poppet valves for tight shutoff
- Lead-free versions available for Safe Drinking Water Act Compliance
- Wide range of elastomers for specialty service applications
- Mountable in any position
- Tapped mounting holes in body standard

## Construction

Valve Parts in Contact with Fluids		
Body	Brass	Cast 304 Stainless Steel
Seals and Discs	NBR or Cast UR	
Core Tube	305 Stainless Steel	
Core and Plugnut	430F Stainless Steel	
Springs	302 Stainless Steel	
Shading Coil	Copper	Silver

## Electrical

Watt Rating & Power Consumption				Spare Coil Part No.			
DC Watts	AC			General Purpose		Explosionproof	
	Watts	VA Holding	VA Inrush	AC	DC	AC	DC
10.6	6.1*	16	30	238210	238510	238214	238514
18.6	9.1*	20	45	238210	238510	238214	238514
11.6	10.1	25	50	238610	238910	238614	238914
22.6	17.1	40	70	238610	238910	238614	238914

**Standard Voltages:** 24, 120, 240, 480 volts AC, 60 Hz (or 110, 220 volts AC, 50 Hz).  
 6, 12, 24, 120, 240 volts DC. Must be specified when ordering.  
 Other voltages available when required.

\*On 50 hertz service, the rating for the 6.1/F solenoid is 8.1 watts, and the rating for the 9.1/F solenoid is 11.1 watts.

## Solenoid Enclosures

**Standard:** Watertight, Types 1, 2, 3, 3S, 4, and 4X.

**Optional:** Explosionproof and Watertight, Types 3, 3S, 4, 4X, 6, 6P, 7, and 9.  
 (To order, add prefix "EF" to catalog number)

See *Optional Features Section* for other available options.

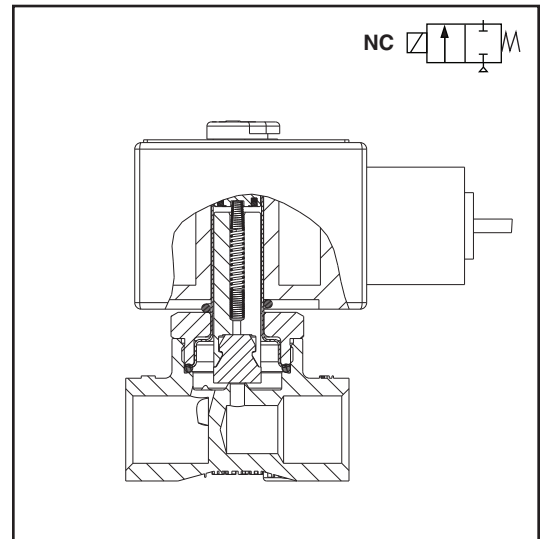
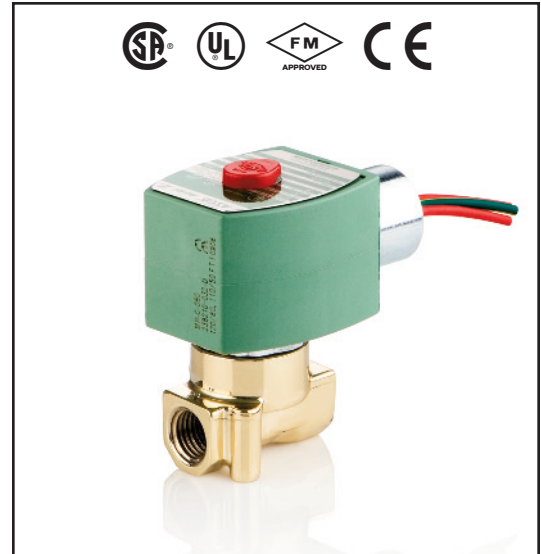
## Options

- Mounting bracket (suffix MB)
- Quarter-turn manual operator with screw slot (suffix MS)
- Panel mount (prefix GP for conduit; *consult ASCO for other electrical connections*)
- Vacuum service (suffix VH; *see Vacuum Section for more details.*)
- Oxygen service (suffix N)
- Silicone Free (suffix SF)

**Elastomers:** FKM (suffix V), Ethylene Propylene (suffix E), CR (suffix J), PTFE\* (suffix T), Low Temp NBR\*\* (suffix A)

**Note:** \*PTFE reduces pressure rating by 25% (i.e. 750 psi reduced to 560 psi)  
 \*\* For Low Temp. NBR, fluid temperature range is -40°F to 167°F (only for valves with 10.1, 17.1, 11.6, and 22.6 watt coils).

Refer to *Engineering Section* for fluid and temperature compatibility.



## Nominal Ambient Temp. Ranges

The nominal limitation of 32°F (0°C) is advisable for any valve that might contain moisture (water vapor).

AC: -13°F to 131°F (-25°C to 55°C)

DC: -13°F to 104°F (-25°C to 40°C)  
 -13°F to 131°F (-25°C to 55°C)

Note: Max ambient for explosionproof (EF) is 125°F (52°C) for AC, 131°F (55°C) for DC.

Optional: For AC, the max. ambient temperature is 140°F (60°C) with Class H coil (with or without prefix EF)

Refer to *Engineering Section* for details.

## Approvals

CSA certified. UL listed, as indicated. Safety Shutoff Valves FM approved. Meets applicable CE directives. Refer to *Engineering Section* for details.

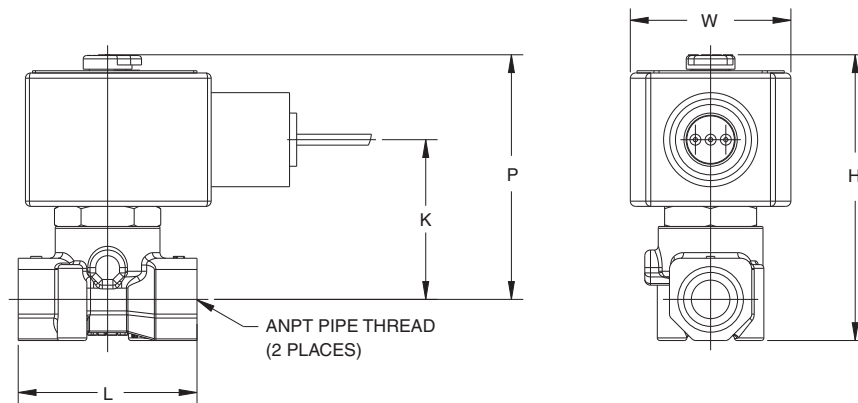
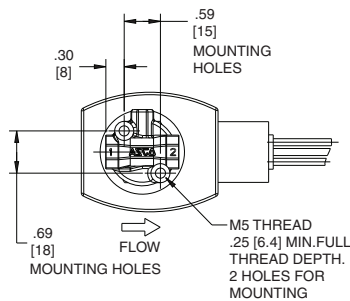
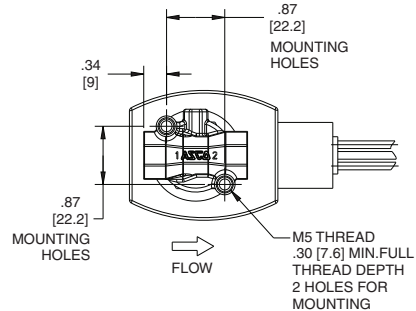
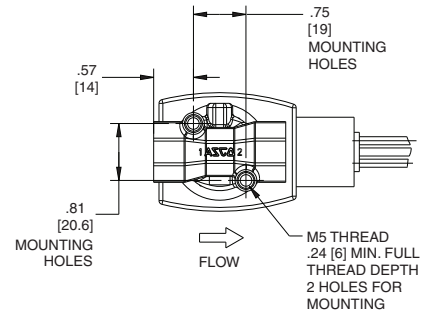
ATEX/IECEx certified with prefix "EV" as listed. Refer to *Optional Features Electrical Section* for details.





**Dimensions: inches (mm)**

Const. Ref.		H	K	L	P	W
1	ins	3.05	1.71	1.19	2.69	1.95
	mm	77	43	30	68	50
2	ins	2.85	1.60	1.19	2.50	1.69
	mm	72	41	30	63	43
3	ins	3.12	1.79	1.56	2.76	1.95
	mm	79	45	40	70	50
4	ins	2.96	1.72	1.56	2.60	1.69
	mm	75	44	40	66	43
5	ins	3.20	1.79	1.88	2.77	1.95
	mm	81	45	48	70	50
6	ins	3.03	1.72	1.88	2.60	1.69
	mm	77	44	48	66	43

**Const. Ref. 1-6**

**Mounting Dimensions**
**Const. Ref. 1, 2**  
**(1/8" Pipe)**

**Const. Ref. 3, 4**  
**(1/4" Pipe)**

**Const. Ref. 5, 6**  
**(3/8" Pipe)**


**Note: Mounting holes will accept a standard #10-32 machine screw.**