

### FEATURES

- Valves for *invitro* diagnostics in biochemistry, hematology and immunology
- Can be used to control acids and bases, as well as analytical reagents
- The valves have easy-to-flush internal cavities and are ideal for controlling aggressive fluids or when high purity is demanded
- Very low internal volume
- Hermetic separation of control mechanism and fluid
- Reduced heat exchange between coil and fluid
- The use of first class materials and thorough valve testing ensure high reliability and a lifetime of at least 1 million cycles
- Suitable for vacuum applications

### GENERAL

<b>Differential pressure</b>	See «SPECIFICATIONS» [1 bar =100 kPa] 0,7 bar abs. (vacuum on polyamide body only)
<b>Maximum viscosity</b>	37 cSt (mm <sup>2</sup> /s)
<b>Response time</b>	20 ms
<b>Internal volume</b>	< 67 µl

fluids (*)	temperature range (TS)	seal materials (*)
liquids or gases	-10°C to +100°C <sup>(3)</sup>	FFPM (perfluoroelastomer)
		EPDM (ethylene-propylene)

### CONSTRUCTION

<b>Body</b>	<b>PEEK body</b> PEEK	<b>PA body</b> PA (polyamide 12)
-------------	--------------------------	-------------------------------------

### MATERIALS IN CONTACT WITH FLUID

(\*) Ensure that the compatibility of the fluids in contact with the materials is verified

<b>Mounting pad</b>	PEEK	PA
<b>Diaphragm and discs</b>	FFPM	EPDM
<b>Mounting pad seal</b>	FFPM	EPDM

### ELECTRICAL CHARACTERISTICS

<b>Coil insulation class</b>	F
<b>Coil</b>	Detachable and rotatable Two spade terminals 2.8 x 0.5 mm (DIN 46340) (or detachable size 15 connector)

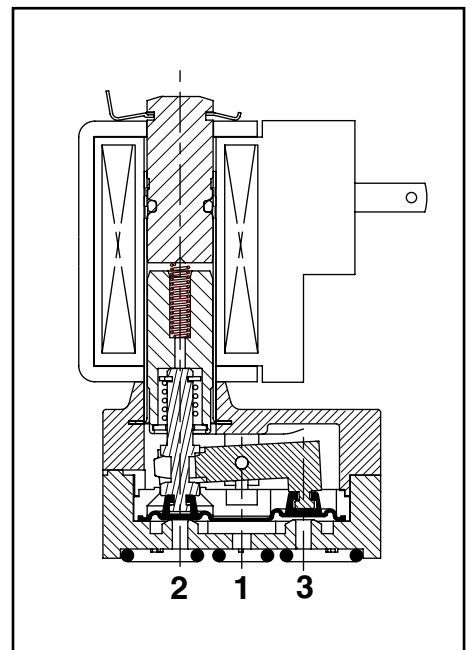
<b>Electrical enclosure protection</b>	IP40 (EN60529)
<b>Standard voltages</b>	DC (=) : 12V - 24V (Other voltages on request)

prefix option	power ratings				operator ambient temperature range (TS) (C°)	replacement coil		type <sup>(1)</sup> (DNX-4)
	inrush ~	holding ~		hot/cold =		=	=	
	(VA)	(VA)	(W)	(W)		12 V DC	24 V DC	
SC	-	-	-	- / 4	-10 to + 60	43005268	43005269	01

<sup>(1)</sup> Refer to the dimensional drawings on the following page.

### SPECIFICATIONS

pipe size	orifice size (mm)	flow coefficient Kv (m <sup>3</sup> /h) (l/min)		operating pressure differential (bar)		power coil (W)		catalogue number	options				
				min.	max. (PS)				FPM	EPDM			
					gases (*)								liquids (*)
<b>U - Universal, PEEK body, FFPM seals</b>													
pad mount	1,5	0,03	0,5	0	2,4	2,4	-	4	SCS385A001	V	E	-	-
<b>U - Universal, PA body, EPDM seals</b>													
pad mount	1,5	0,03	0,5	0	2	2	-	4	SCS385A002E	-	-	-	-

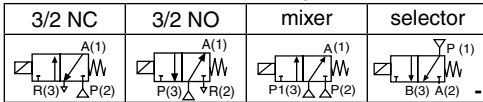


### OPTIONS

- Valves can also be supplied with FPM (fluoroelastomer) and EPDM (ethylene-propylene) seals and diaphragm. Use the appropriate optional suffix letter for identification
- 2/2 NC function, catalogue number **SCS285A002**
- Leaded coil
- Power-save version (low holding power)
- Other types of connections are available (hose couplings etc.)
- Connector size 15, catalogue number **88143581**

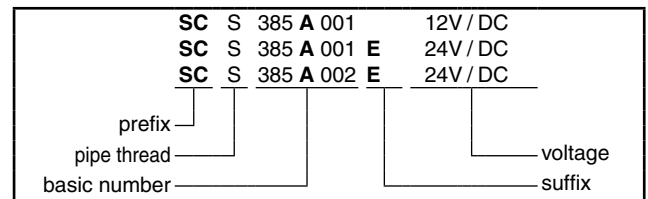
### INSTALLATION

- The solenoid valves can be mounted in any position without affecting operation
- Can be used for the following functions, depending on how the ports are connected:



- Installation/maintenance instructions are included with each valve

### ORDERING EXAMPLES:

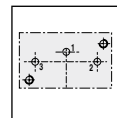
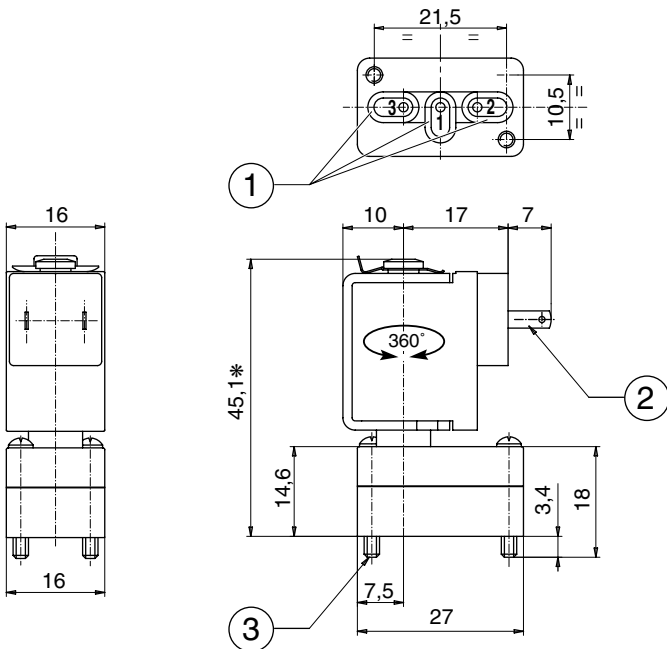


### DIMENSIONS (mm), WEIGHT (kg)

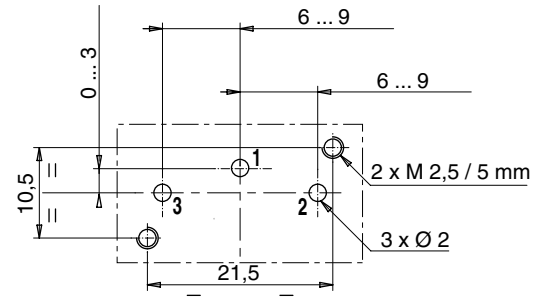


**TYPE 01**  
Prefix "SC" Solenoid  
DIN 43340

SCS385A001 / A002E



### MOUNTING PAD



type	prefix option	weight <sup>(1)</sup>
01	SC	0,04

- ① 1 mounting pad seal.
- ② Coil with 2 Faston-type terminals 2,8 x 0,5 (DIN 46340).
- ③ Mounting : 2 screws M2,5 x 18.

<sup>(1)</sup> Including coil, without connector.