

ACCUTRAK™ ROTARY POSITION MONITORS

FLAMEPROOF – ATEX/IEC

Rotary position monitors certified to Exd Flameproof and specifically engineered for hazardous environments. Available with a range of position sensors and switches



FEATURES

- Flameproof design meeting a wide range of worldwide approvals.
- Touch set cams are hand adjustable, spring loaded and self-locking providing quick calibration of position switches and sensors.
- Strong durable Beacon™ offers 360° visual indication in a choice of styles and colors.
- Terminal strips are pre-wired and numbered with generous working space for ease of use.
- Additional conduit for easy field wiring and mounting accessories as standard.
- Wide range of switches and sensors.
- Position transmitter option.
- Switch stabilisation plate.
- Standardized mounting pattern for easy adaptation to common bracketry.
- Range of drive shaft options.
- Aluminum enclosures with ultra-low copper content (0.2% maximum) ensure robust performance in corrosive environments.
- Rugged stainless steel enclosures.
- IP rated plugs certified where applicable.

TECHNICAL DATA

Agency approvals

Area classification (ATEX/IEC)

| | |
|-------------|--|
| 2200 series | Ex II 2G Ex d IIB +H2 Ex tD A21 IP6X |
| 2600 series | Ex II 2G Ex d IIC Ex tD A21 IP6X |

Enclosure standards (IEC)

| | |
|----------------|---------|
| All enclosures | IP66/67 |
|----------------|---------|

Switches

| | |
|---|---|
| All models | V3 SPDT mechanical switches |
| All models | DPDT mechanical switches |
| All models | V3 slotted and barrel inductive proximity sensors |
| All models | Magnum SPDT (hermetically sealed proximity type) switches |
| 2200 Series GO hermetically sealed switches | |

Enclosures

| | |
|------------|------------------------------------|
| All models | Aluminum |
| | Stainless steel CF8M (316) |
| | Option Stainless steel CF3M (316L) |

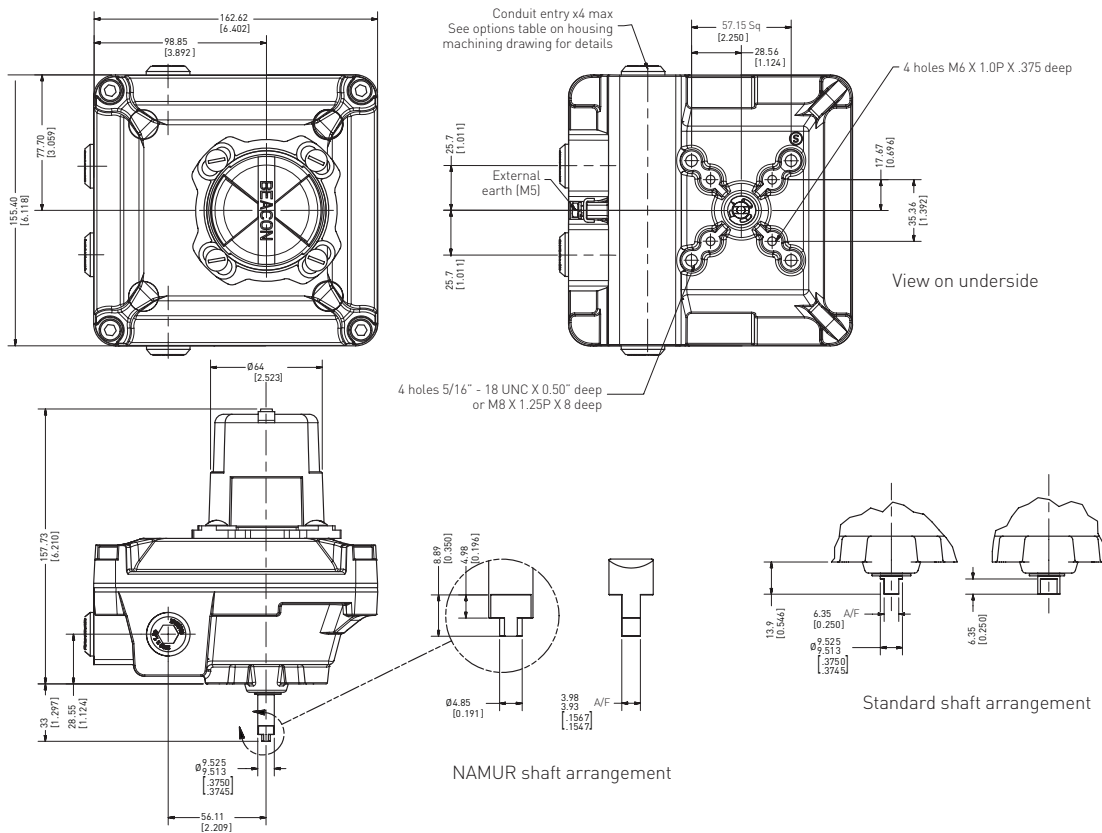
GENERAL APPLICATION

AccuTrak position monitors are ideal for manual and automated rotary valves. They provide consistent and accurate valve monitoring in a compact unit which can be mounted directly or via a valve actuator.

ACCUTRAK™ ROTARY POSITION MONITORS

FLAMEPROOF – ATEX/IEC

2200 SERIES ENCLOSURE DIMENSIONS



Dimensions in mm, imperial dimensions (inches) in parenthesis

TECHNICAL SPECIFICATIONS

Materials of construction

| | |
|-------------------------|---|
| Enclosure | Aluminum with powder coat finish |
| | Stainless steel with electropolished finish |
| Temp. range | -30°C to +85°C (Flat cover -20°C to +85°C) |
| Shaft and hardware | Stainless steel |
| Bushing | Oil impregnated bronze (aluminum enclosure) PTFE (stainless steel enclosure) |
| Beacon visual indicator | Co-polyester |

Drive shaft

| | |
|-------------------|-----------------------------|
| Westlock standard | Double-D with 1/4" A/F |
| NAMUR standard | NAMUR standard VDI/VDE 3845 |

Available switches

| | |
|--|---|
| | V3 SPDT mechanical switches |
| | DPDT mechanical switches |
| | V3 slotted and barrel inductive proximity sensors |
| | Magnum SPDT (hermetically sealed proximity type) switches |
| | GO hermetically sealed switches |

NOTES

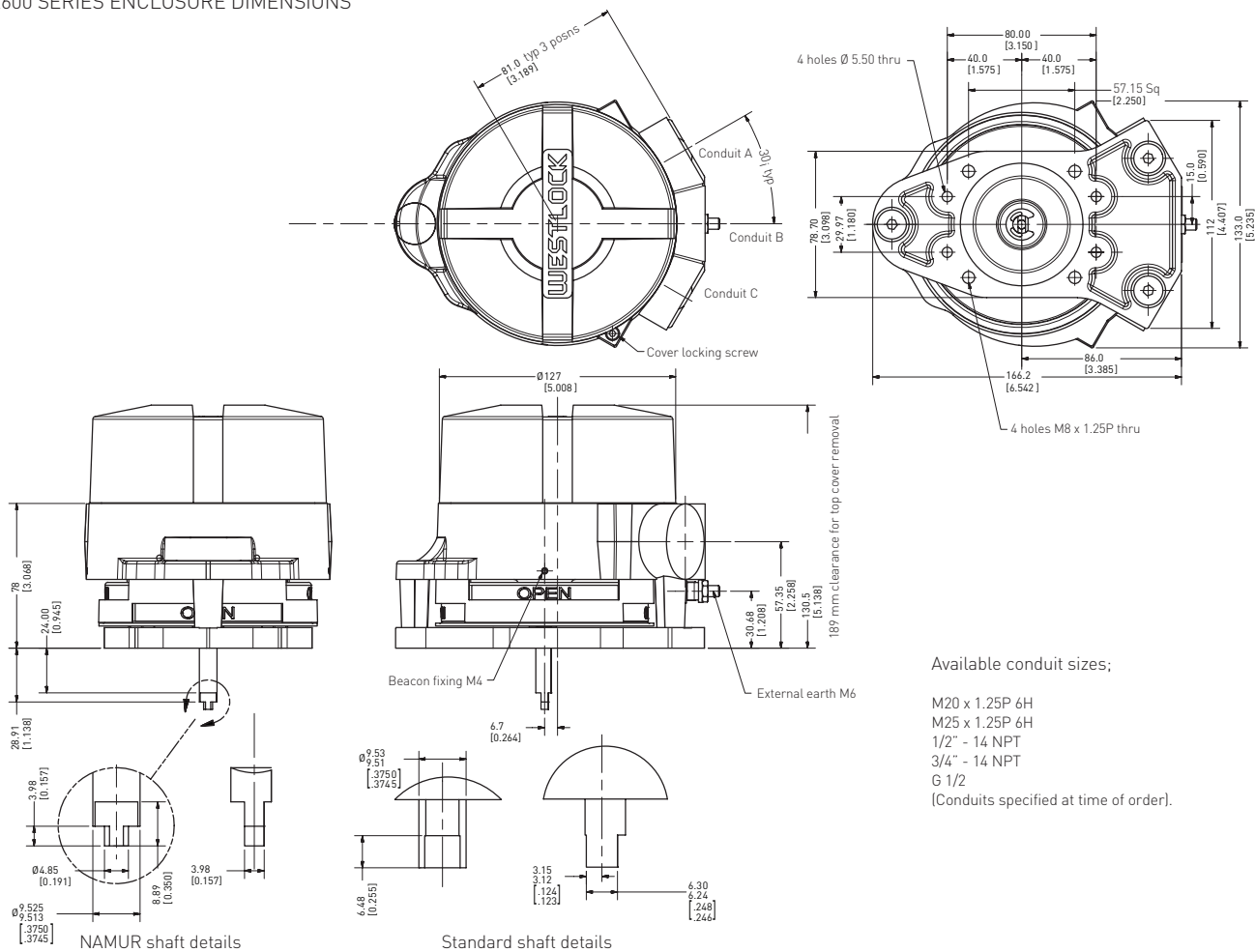
1. See selection guide for standard conduit entries
2. See switches & sensors data sheet for further information
3. Please consult your sales office for any other requirements



ACCUTRAK™ ROTARY POSITION MONITORS

FLAMEPROOF – ATEX/IEC

2600 SERIES ENCLOSURE DIMENSIONS



Available conduit sizes;

- M20 x 1.25P 6H
 - M25 x 1.25P 6H
 - 1/2" - 14 NPT
 - 3/4" - 14 NPT
 - G 1/2
- [Conduits specified at time of order].

Dimensions in mm, imperial dimensions (inches) in parenthesis

TECHNICAL SPECIFICATIONS

Materials of construction

| | |
|-------------------------|---|
| Enclosure | Aluminum with powder coat finish |
| | Stainless steel with electropolished finish |
| Temp. range | -60°C to +110°C |
| Shaft and hardware | Stainless steel with electropolished finish |
| Bushing | Oil impregnated bronze (aluminum enclosure) |
| | PTFE (stainless steel enclosure) |
| Beacon visual indicator | Co-polyester |

Drive shaft

| | |
|-------------------|----------------------------|
| Westlock standard | Double-D with 1/4" A/F |
| NAMUR standard | NAMUR standard VDI/VE 3845 |

Available switches

| | |
|--|---|
| | V3 SPDT mechanical switches |
| | DPDT mechanical switches |
| | V3 slotted and barrel inductive proximity sensors |
| | Magnum SPDT (hermetically sealed proximity type) switches |

NOTES

1. See selection guide for standard conduit entries
2. See switches & sensors data sheet for further information
3. Please consult your sales office for any other requirements



ACCUTRAK™ ROTARY POSITION MONITORS

2200 SERIES SELECTION GUIDE

| | | | | | | | | | | | | |
|---------------------------------|--|----|--------------------|----|---|-----|---|---|-----|---|----|---|
| Housing | | | | | | | | | | | | |
| 22 | 2200 with flanged lid | | | | | | | | | | | |
| Cover style | | | | | | | | | | | | |
| 4 | With Beacon visual indication | | | | | | | | | | | |
| 6 | No visual indication | | | | | | | | | | | |
| Switch type | | | | | | | | | | | | |
| 3 | GO switch SPDT | | | | | | | | | | | |
| 5 | Microswitch SPDT contacts | | | | | | | | | | | |
| 6 | Microswitch DPDT contacts | | | | | | | | | | | |
| 7 | Inductive sensor | | | | | | | | | | | |
| 9 | Magnum proximity switch | | | | | | | | | | | |
| 0 | No switches fitted | | | | | | | | | | | |
| Material | | | | | | | | | | | | |
| A | Aluminum | | | | | | | | | | | |
| S | Stainless steel | | | | | | | | | | | |
| Beacon type and color | | | | | | | | | | | | |
| BY | Black/Yellow | B1 | BM3-1 pattern 90° | | | | | | | | | |
| AR | ANSI Red/White | B3 | BM3-3 pattern 90° | | | | | | | | | |
| GR | Green/Red | B5 | BM3-5 pattern 90° | | | | | | | | | |
| 00 | No Beacon fitted | B7 | BM3-7 pattern 180° | | | | | | | | | |
| | | B9 | BM3-9 pattern 180° | | | | | | | | | |
| Drive shaft type | | | | | | | | | | | | |
| S | Westlock standard – ¼" A/F (6.32 mm) | | | | | | | | | | | |
| N | NAMUR standard shaft – VDI/VDE 3845 | | | | | | | | | | | |
| * | Non-standard (consult sales office) | | | | | | | | | | | |
| Ancillary options | | | | | | | | | | | | |
| 000 | No ancillary options | | | | | | | | | | | |
| *** | Non-standard material and build (consult sales office) | | | | | | | | | | | |
| Switch/sensor quantity | | | | | | | | | | | | |
| 0 | No switch/sensor fitted | | | | | | | | | | | |
| 1 | One switch/sensor | | | | | | | | | | | |
| 2 | Two switches/sensors | | | | | | | | | | | |
| 3 | Three switches/sensors | | | | | | | | | | | |
| 4 | Four switches/sensors | | | | | | | | | | | |
| 5 | Five switches/sensors (consult sales office) | | | | | | | | | | | |
| 6 | Six switches/sensors (consult sales office) | | | | | | | | | | | |
| Conduit entries supplied | | | | | | | | | | | | |
| 2 | Two entries – standard | | | | | | | | | | | |
| 4 | Four entries (consult sales office) | | | | | | | | | | | |
| Unit specification | | | | | | | | | | | | |
| AAA | Standard build- M20 conduit entries | | | | | | | | | | | |
| ADZ | ¾" NPT conduit entries | | | | | | | | | | | |
| DAV | M25 conduit entries | | | | | | | | | | | |
| FAN | ½" NPT conduit entries | | | | | | | | | | | |
| *** | Non-standard material (consult sales office) | | | | | | | | | | | |
| Certification | | | | | | | | | | | | |
| A | ATEX | | | | | | | | | | | |
| I | IECEX | | | | | | | | | | | |
| * | Other options (consult sales office) | | | | | | | | | | | |
| Revision | | | | | | | | | | | | |
| R* | Internal revision # | | | | | | | | | | | |
| 22 | 4 | 9 | A | BY | N | 000 | 2 | 2 | AAA | A | R1 | = Model number 2249ABYN0022AAA-AR1 |

NOTES

1. Please contact your sales office for guidance on selecting the best possible combination for your control and monitoring requirements.
2. See Hazardous area classification technical bulletin for further information on global standards.

ACCUTRAK™ ROTARY POSITION MONITORS

2600 SERIES SELECTION GUIDE

| | | | | | | | | | | | | |
|---------------------------------|--|---|---|----|---|-----|--------------------|---|-----|---|----|---|
| Housing | | | | | | | | | | | | |
| 26 | 2600 with screw lid | | | | | | | | | | | |
| Cover style | | | | | | | | | | | | |
| 4 | With Beacon visual indication | | | | | | | | | | | |
| 6 | No visual indication | | | | | | | | | | | |
| Switch type | | | | | | | | | | | | |
| 5 | Microswitch SPDT contacts | | | | | | | | | | | |
| 6 | Microswitch DPDT contacts | | | | | | | | | | | |
| 7 | Inductive sensor | | | | | | | | | | | |
| 9 | Magnum proximity switch | | | | | | | | | | | |
| 0 | No switches fitted | | | | | | | | | | | |
| Material | | | | | | | | | | | | |
| A | Aluminum | | | | | | | | | | | |
| S | Stainless steel | | | | | | | | | | | |
| Beacon type and color | | | | | | | | | | | | |
| BY | Black/Yellow | | | | | B1 | BM3-1 pattern 90° | | | | | |
| AR | ANSI Red/White | | | | | B3 | BM3-3 pattern 90° | | | | | |
| GR | Green/Red | | | | | B5 | BM3-5 pattern 90° | | | | | |
| 00 | No Beacon fitted | | | | | B7 | BM3-7 pattern 180° | | | | | |
| | | | | | | B9 | BM3-9 pattern 180° | | | | | |
| Drive shaft type | | | | | | | | | | | | |
| S | Westlock standard – ¼" A/F (6.32 mm) | | | | | | | | | | | |
| N | NAMUR standard shaft – VDI/VDE 3845 | | | | | | | | | | | |
| * | Non-standard (consult sales office) | | | | | | | | | | | |
| Ancillary options | | | | | | | | | | | | |
| 000 | No ancillary options | | | | | | | | | | | |
| *** | Non-standard material and build (consult sales office) | | | | | | | | | | | |
| Switch/sensor quantity | | | | | | | | | | | | |
| 0 | No switch/sensor fitted | | | | | | | | | | | |
| 1 | One switch/sensor | | | | | | | | | | | |
| 2 | Two switches/sensors | | | | | | | | | | | |
| 3 | Three switches/sensors (consult sales office) | | | | | | | | | | | |
| 4 | Four switches/sensors (consult sales office) | | | | | | | | | | | |
| Conduit entries supplied | | | | | | | | | | | | |
| 2 | Two entries – standard | | | | | | | | | | | |
| 3 | Three entries | | | | | | | | | | | |
| 4 | Four entries (consult sales office) | | | | | | | | | | | |
| Unit specification | | | | | | | | | | | | |
| AAA | Standard build- M20 conduit entries | | | | | | | | | | | |
| ADZ | ¾" NPT conduit entries | | | | | | | | | | | |
| DAV | M25 conduit entries | | | | | | | | | | | |
| FAN | ½" NPT conduit entries | | | | | | | | | | | |
| *** | Non-standard material (consult sales office) | | | | | | | | | | | |
| Certification | | | | | | | | | | | | |
| A | ATEX | | | | | | | | | | | |
| I | IECEX | | | | | | | | | | | |
| * | Other options (consult sales office) | | | | | | | | | | | |
| Revision | | | | | | | | | | | | |
| R* | Internal revision # | | | | | | | | | | | |
| 26 | 4 | 9 | S | BY | N | 000 | 2 | 2 | AAA | A | R1 | = Model number 2649SBYN0002AAA-AR1 |

NOTES

1. Please contact your sales office for guidance on selecting the best possible combination for your control and monitoring requirements.
2. See Hazardous area classification technical bulletin for further information on global standards.



www.westlockcontrols.com

Westlock. We reserve the right to change designs and specifications without notice.