



CustomControlSensors

Dual Snap®
Pressure, Temperature and Liquid Flow

www.ccsdualsnap.com

604GV Crossover Series Non-Hazardous Areas

Reliable Pressure Switch Design

CCS introduces the new highly reliable and economic industrial crossover vacuum to gage pressure switch series for use in non-hazardous area applications.

Adjustable Set Point Range

20" Hg Vacuum to 12 PSIG (508 mm Hg to 0.83 bar)

Markets & Applications

Designed for ultra low pressure and vacuum to pressure applications.

- * Engineering & Construction
- * Food & Beverage
- * Heavy Vehicles
- * HVAC
- * Machine Tool / Metal Forming
- * Pharmaceutical
- * Pulp & Paper
- * Pumps & Compressors
- * Rail Car / Locomotive
- * Tire & Rubber
- * Utilities
- * Water Treatment

Custom Control Sensors (CCS) Experience

CCS has been a global leader in the design, testing and manufacturing of pressure, temperature and liquid flow products for the Aerospace, Defense, Industrial and Energy markets since 1958. CCS' experienced engineering and manufacturing staff can provide innovative solutions for the most demanding requirements.

Time-Tested Solutions. Reduced Costs & Time.

United States Office
21111 Plummer Street
Chatsworth, California 91311
Tel: +1 818.341.4610
switchnet@ccsdualsnap.com



CustomControlSensors





CustomControlSensors

Dual Snap®

Pressure, Temperature and Liquid Flow

www.ccsdualsnap.com

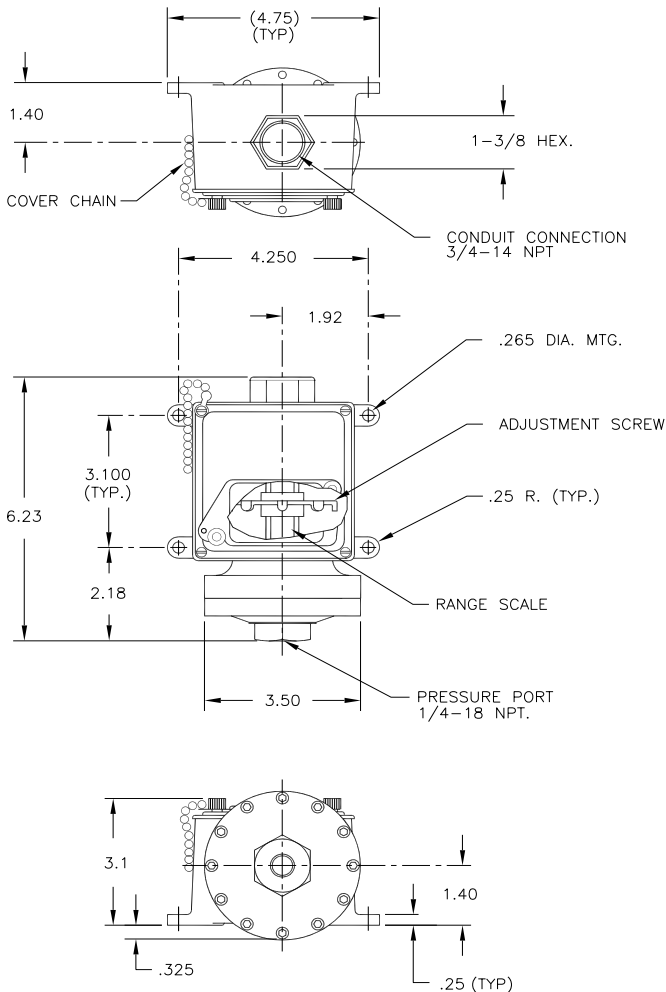
604GV Crossover Series - Non-Hazardous Areas

Data Table

SERIES 604GV* CROSSOVER (VACUUM TO GAGE)	WETTED PARTS: 1/4"-18 NPT ALUMINUM PRESSURE PORT, POLYIMIDE DIAPHRAGM, BUNA N O-RING									
	ADJUSTABLE SET POINT RANGE VACUUM INCHES Hg (mm Hg)		APPROX. DEAD BAND VACUUM INCHES Hg (mm Hg)		ADJUSTABLE SET POINT RANGE GAGE PRESSURE PSIG (BAR)		APPROX. DEAD BAND GAGE PRESSURE PSI (BAR)		SYSTEM PRESSURE PSIG (BAR)	PROOF PRESSURE PSIG (BAR)
	INCREASING VACUUM	DECREASING VACUUM	AT TOP OF RANGE	AT BOTTOM OF RANGE	INCREASING PRESSURE	DECREASING PRESSURE	AT TOP OF RANGE	AT BOTTOM OF RANGE		
604GV*2	1-20 (25-508)	.1-19.4 (3-493)	.6 (15)	0.9 (23)	5-12 (0.034-0.83)	.1-11.7 (0.007-0.81)	.4 (0.027)	.3 (0.02)	500 (34.5)	750 (52)
SERIES 604GVZ* CROSSOVER (VACUUM TO GAGE)	WETTED PARTS: 1/2"-14 NPT STAINLESS STEEL PRESSURE PORT, POLYIMIDE DIAPHRAGM, VITON O-RING									
	ADJUSTABLE SET POINT RANGE VACUUM INCHES Hg (mm Hg)		APPROX. DEAD BAND VACUUM INCHES Hg (mm Hg)		ADJUSTABLE SET POINT RANGE GAGE PRESSURE PSIG (BAR)		APPROX. DEAD BAND GAGE PRESSURE PSI (BAR)		SYSTEM PRESSURE PSIG (BAR)	PROOF PRESSURE PSIG (BAR)
	INCREASING VACUUM	DECREASING VACUUM	AT TOP OF RANGE	AT BOTTOM OF RANGE	INCREASING PRESSURE	DECREASING PRESSURE	AT TOP OF RANGE	AT BOTTOM OF RANGE		
604GVZ*2	1-20 (25-508)	.1-19.4 (3-493)	.6 (15)	0.9 (23)	5-12 (0.034-0.83)	.1-11.7 (0.007-0.81)	.4 (0.027)	.3 (0.02)	500 (34.5)	750 (52)



Installation Drawing



Standard Features

- * CE Mark
- * CRN
- * NEMA: 4, 13 / IP 65
- * UL Listed
- * Internal Case Ground
- * Weatherproof

Available Options

* See catalog page at ccsdualsnap.com for more options.

- * 7005: Viton/Dacron Diaphragm, Viton O-Ring & Stainless Steel Port Cap (Z Models Only)
- * 7008: Gold Contacts
- * 7011: Stainless Steel Port & Diaphragm

Electrical Characteristics

VOLTS	AMPERES		
	SPDT Res.	DPDT "M" Res.	Dbl Brk "X" Res.
125 AC - 50/60 Hz	15	5	15
250 AC - 50/60 Hz	15	5	15
480 AC - 50/60 Hz	15	-	15
28 DC	-	5	-
125 DC	.4	.5	1
250 DC	.2	-	.5
*125 AC - 50/60 Hz	1 max	1 max	-
*30 DC	1 max	1 max	-

*Gold Contacts -7008 Suffix